

REVISIONS AND ISSUANCE		
NO.	DATE	DESCRIPTION

IVY KIDS EARLY LEARNING CENTER
4434 CR 94
MANVEL, TEXAS 77578

MISSION ENGINEERING INC.
10370 RICHMOND AVE, #560
HOUSTON, TEXAS 77042
(713) 981-0018
[E] dzhuang@missioneng.com
TPEF Registration No. F-11771



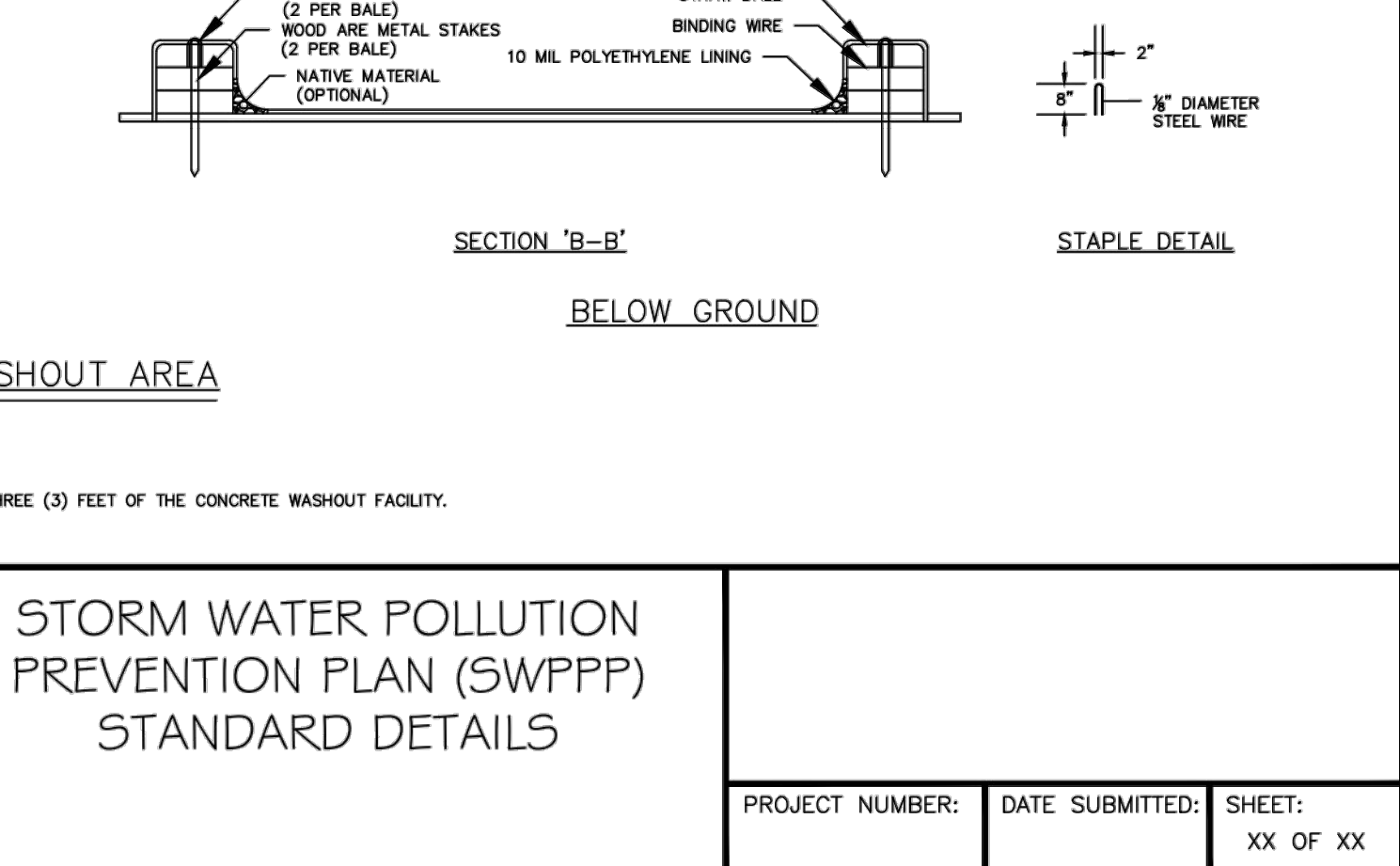
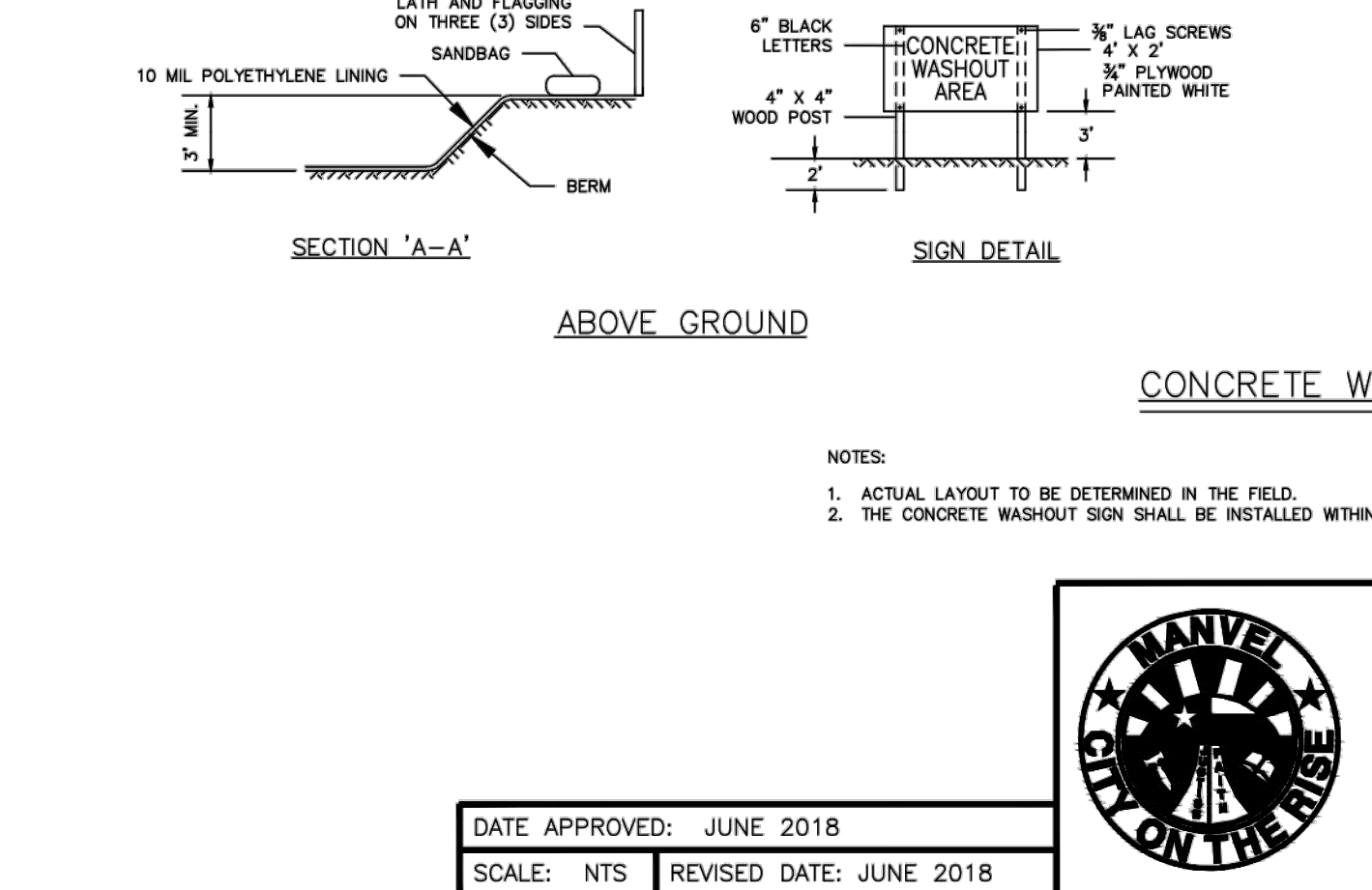
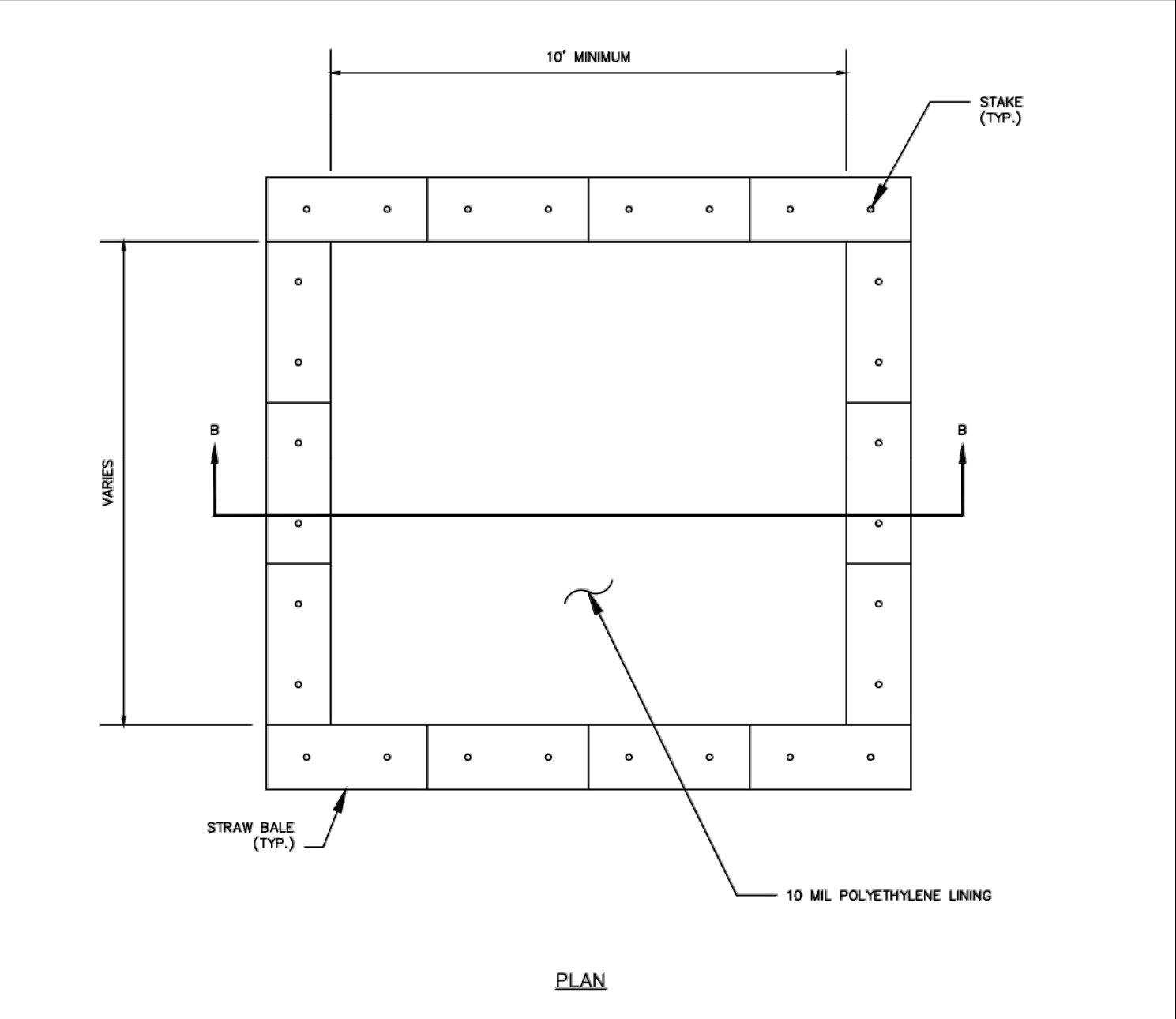
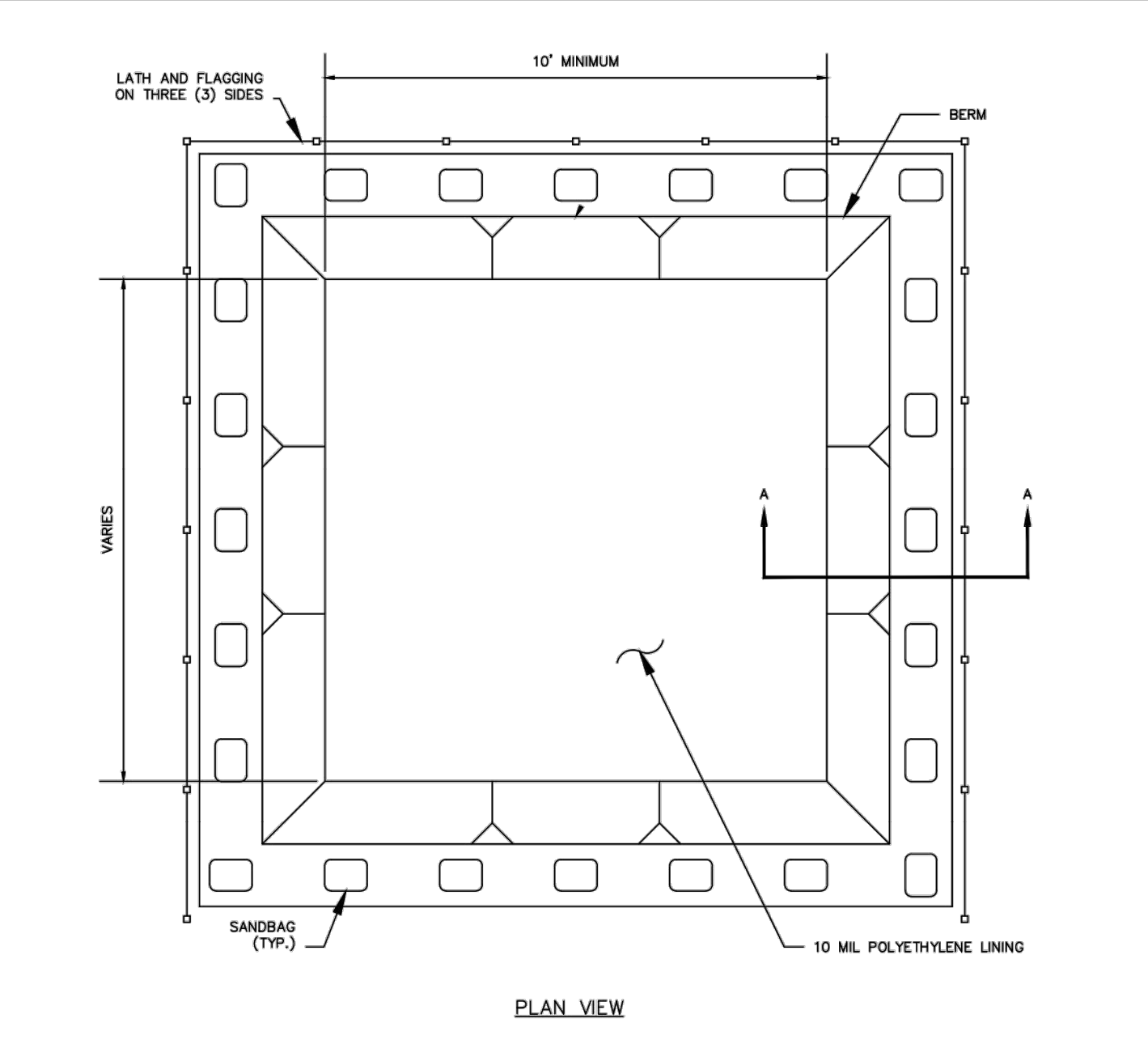
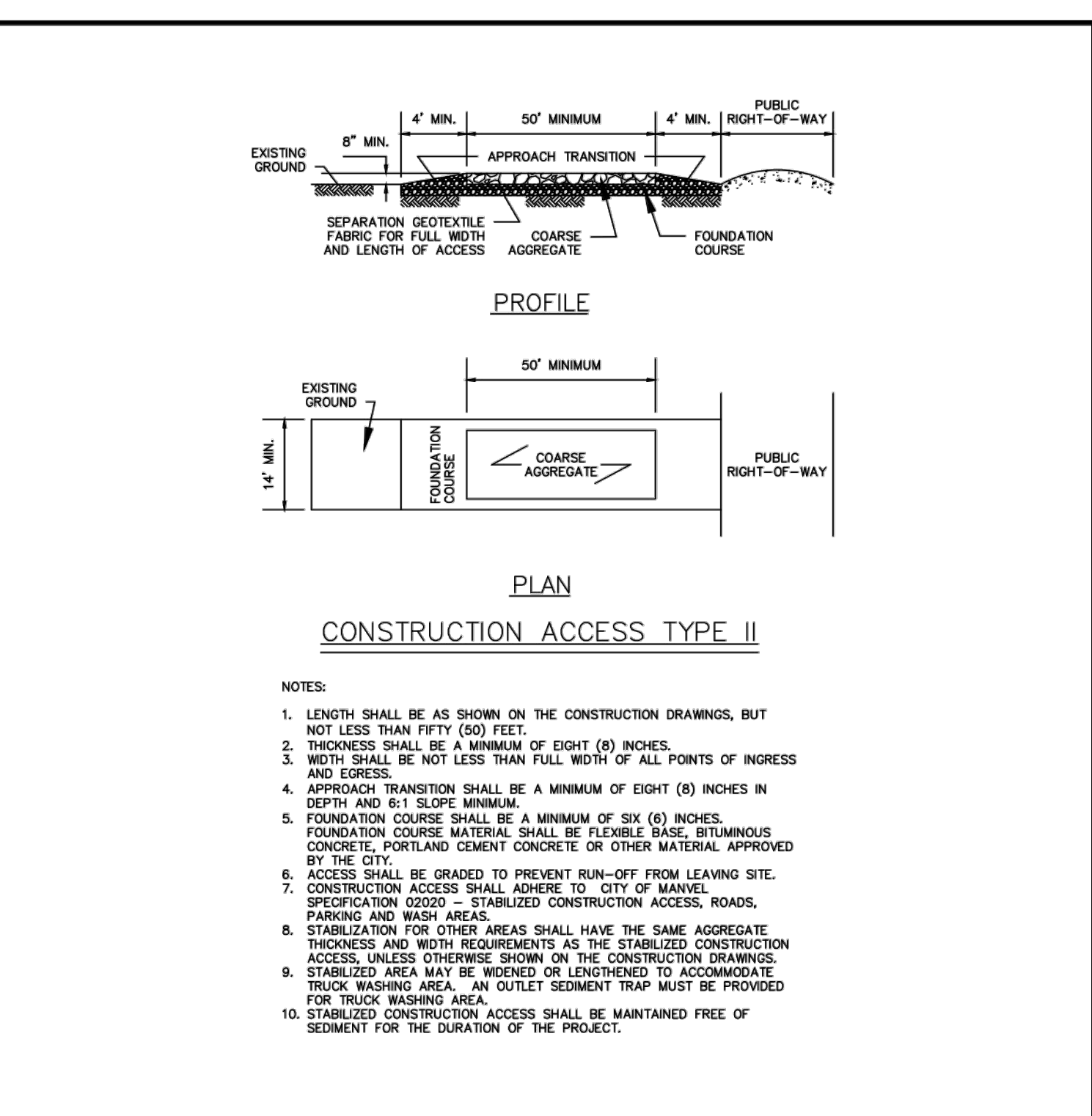
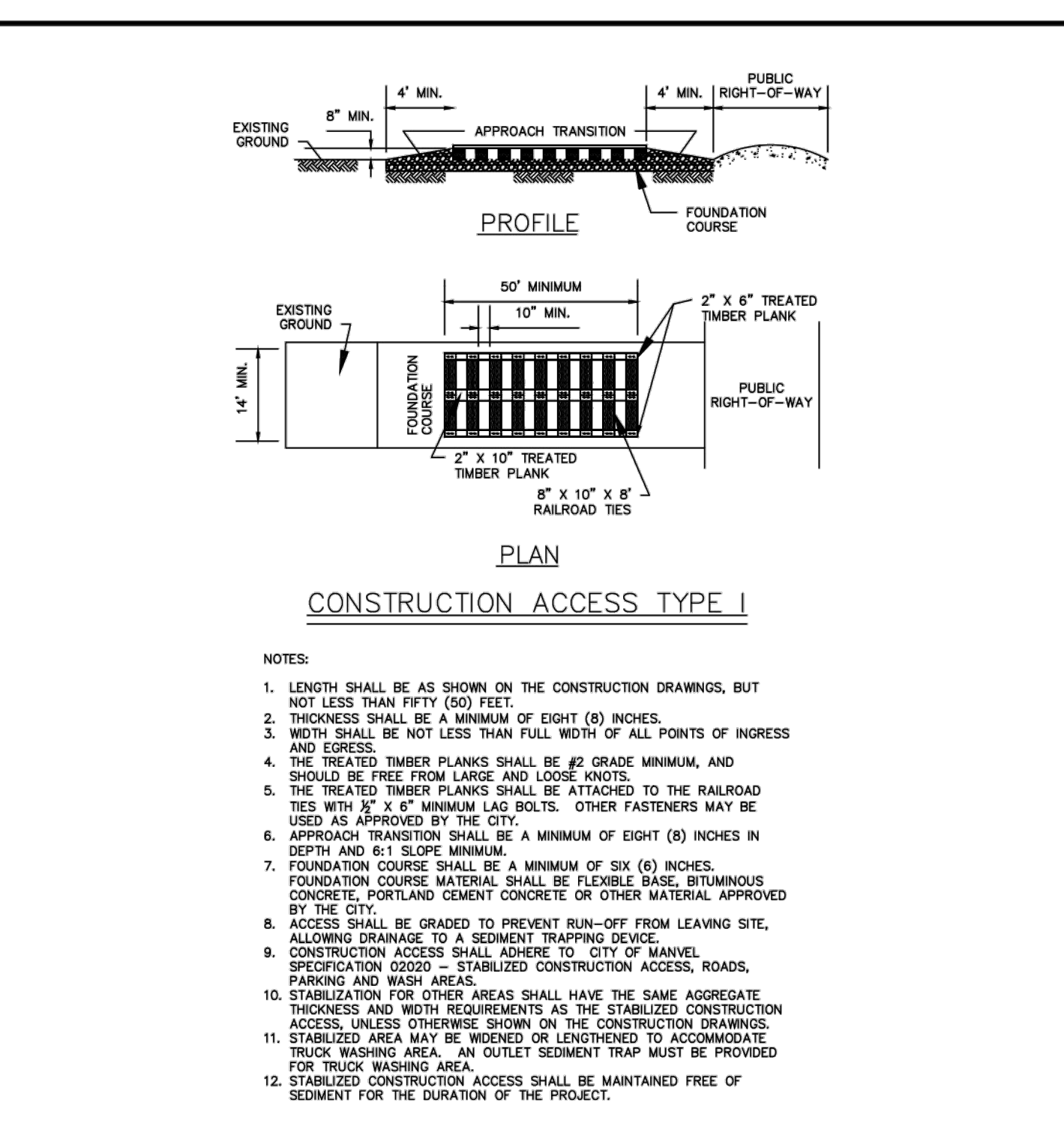
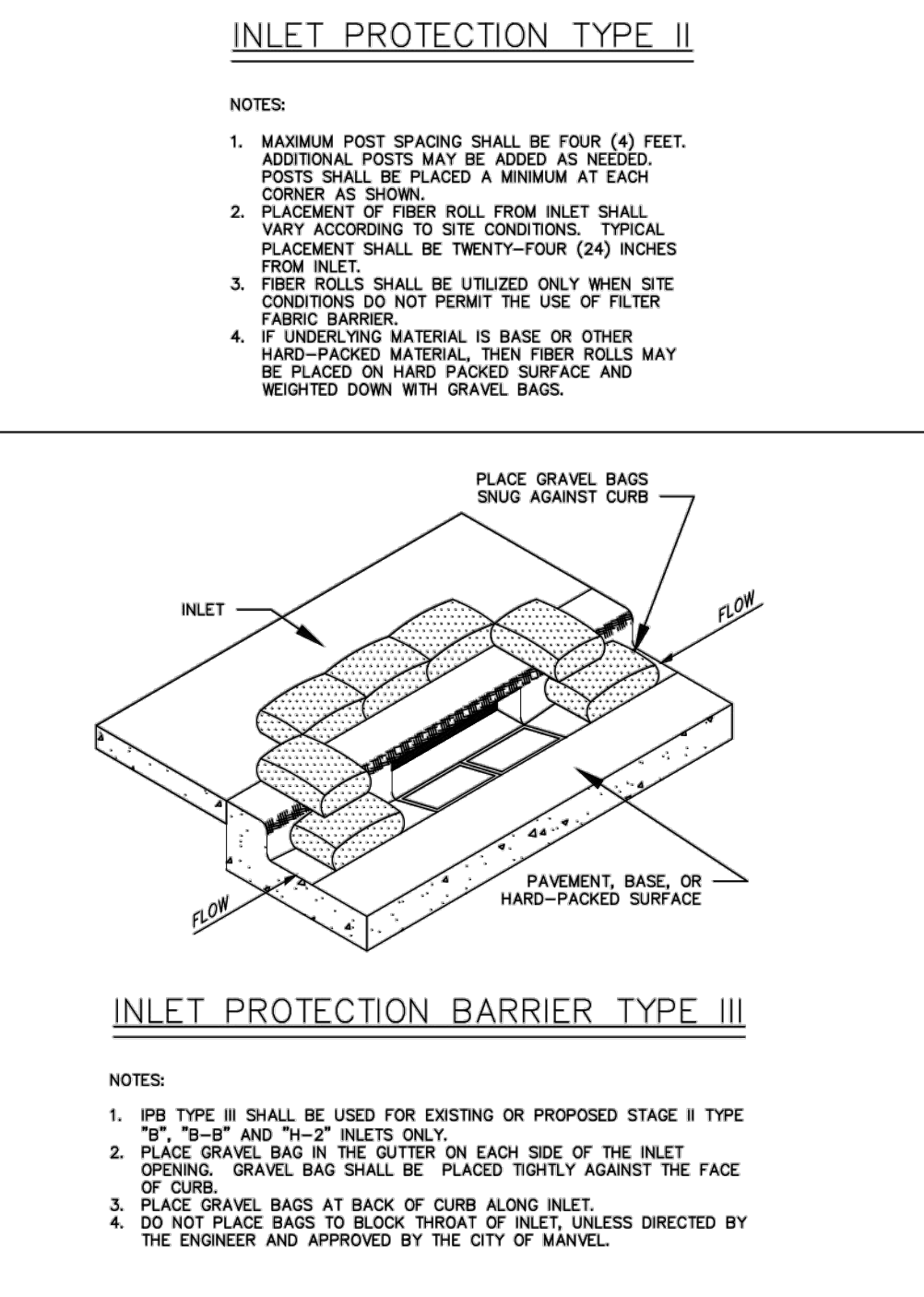
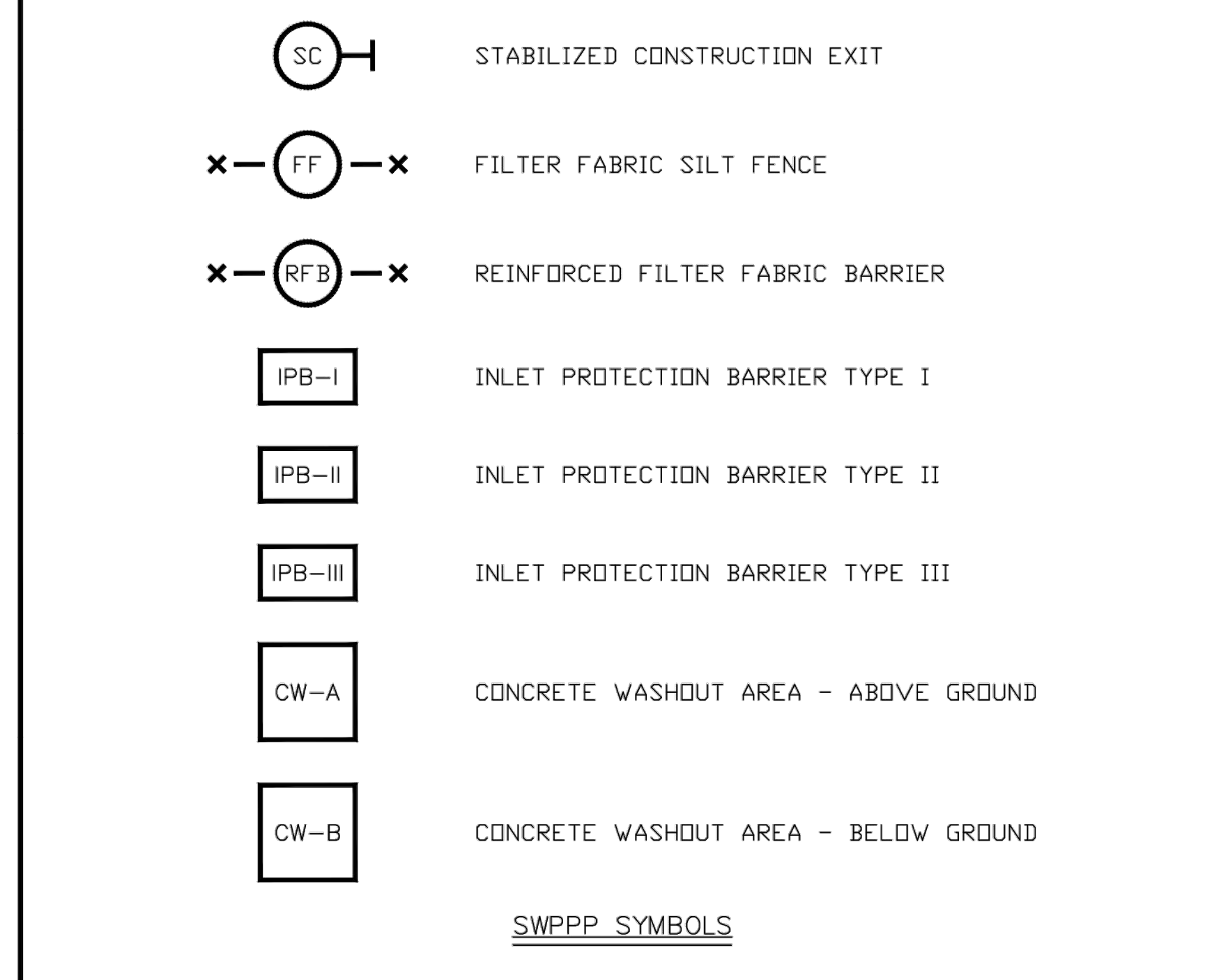
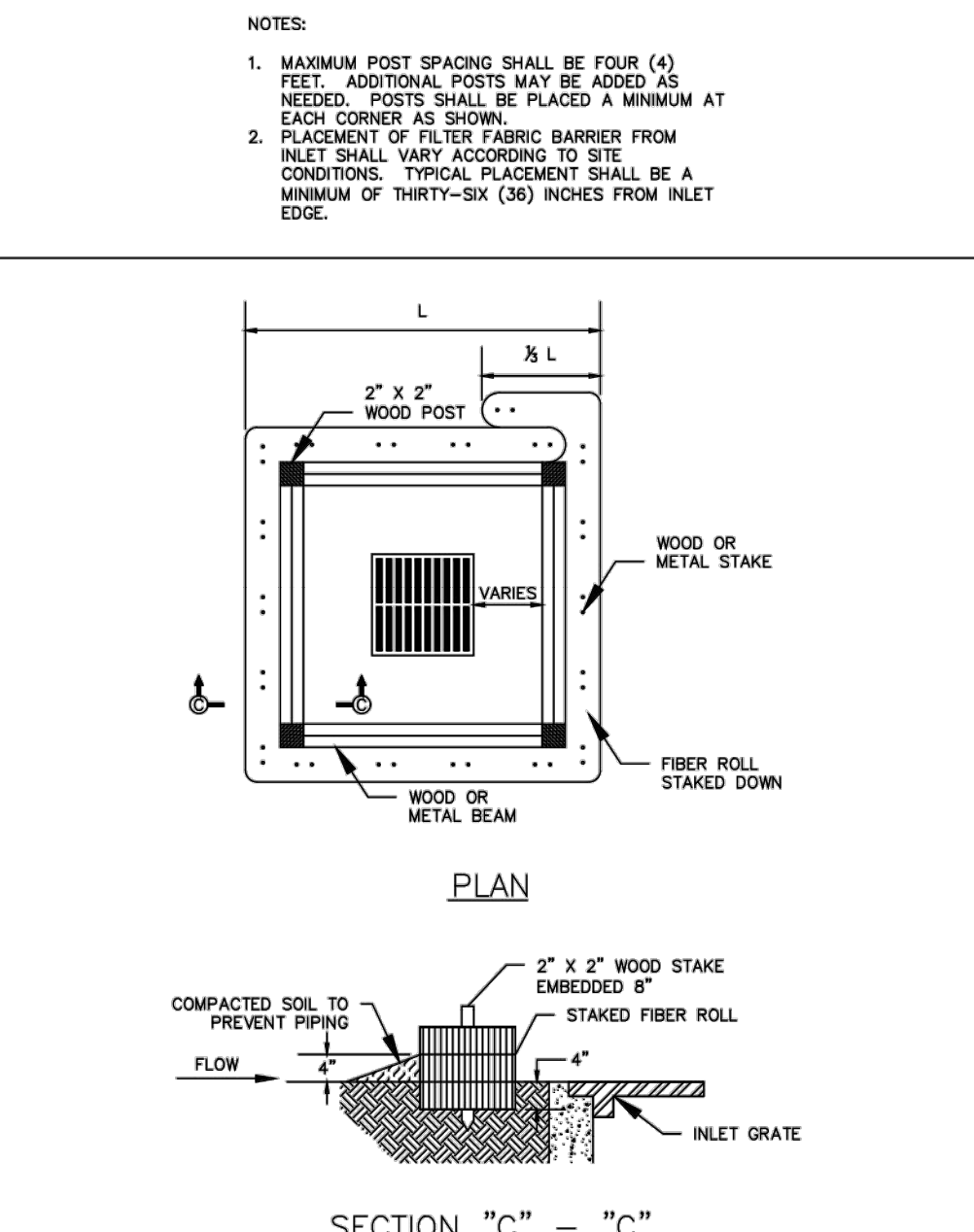
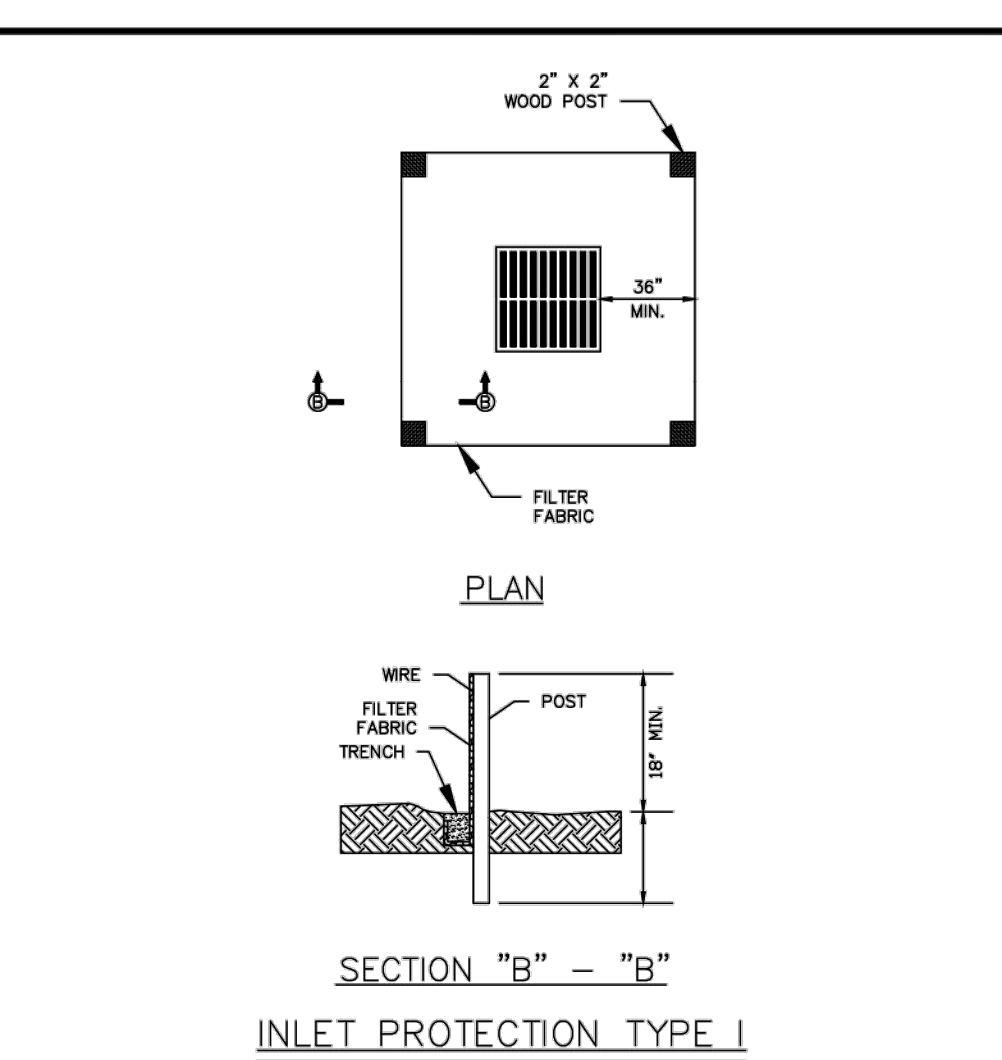
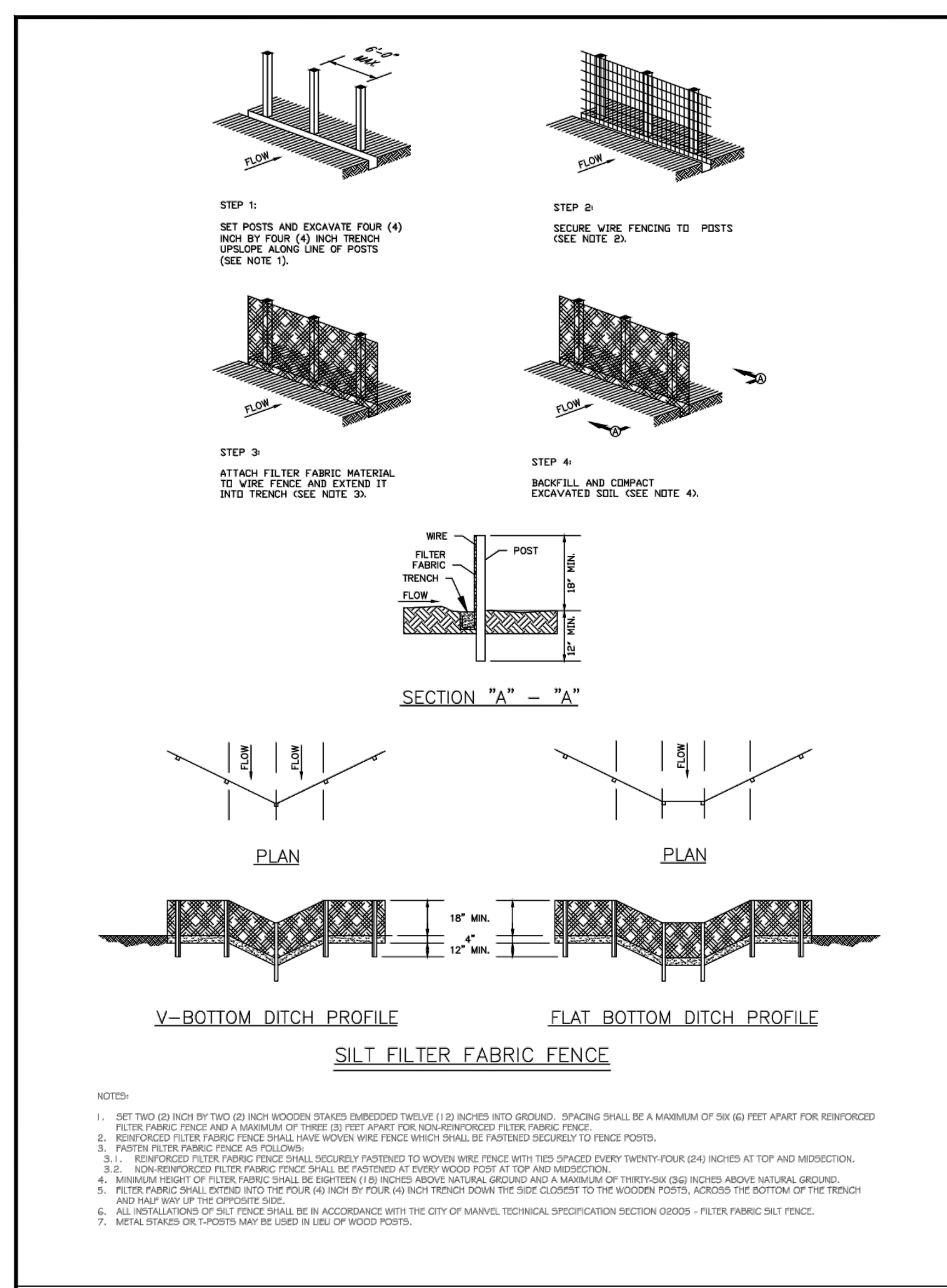
04/16/2019

DRAWING TITLE
CONSTRUCTION DETAILS

DRAWN BY KN	CHECKED BY EL
DATE 04/16/2019	JOB NO. 1806251

DRAWING NO.

C10



STORM WATER POLLUTION PREVENTION PLAN (SWPPP) STANDARD DETAILS

MANVEL CITY OF THE FUTURE

DATE APPROVED: JUNE 2018
SCALE: NTS
REVISED DATE: JUNE 2018

PROJECT NUMBER: DATE SUBMITTED: SHEET: XX OF XX