

**NOTES:**

- ALL SANITARY SEWER AND GREASE LINES SHALL BE PVC SCH. 40.
- ALL DOMESTIC WATER AND IRRIGATION LINES SHALL BE PVC SCH. 40.
- 6" FIRE LINE AND 4" FDC LINE SHALL BE C900 PVC CLASS 150 DR18 PIPE.
- COORDINATE UTILITY CONNECTIONS AT THE BUILDING WITH PLUMBING PLANS.
- WATER LINES SHALL BE BACKFILLED PER DETAIL ON SHT C8.
- SANITARY LINES SHALL BE BACKFILLED PER DETAIL ON SHT C8.
- DISTRICT OPERATOR SHALL INSTALL DOMESTIC AND IRRIGATION METERS AND MAKE ALL WATER LINE TAPS.

**KEY NOTE:**

- WATER-SANITARY CROSSING: 2" SPLASH PAD WATER, 2" DOMESTIC WATER, 6" FIRE, AND 4" FDC LINE SHALL ALL PASS ABOVE PROPOSED 6" SANITARY WITH 2.0' MINIMUM CLEAR. CENTER ONE FULL SECTION (18-FT MINIMUM) OF EACH WATER/FIRE LINE AT THE SANITARY SEWER CROSSING. ALSO CENTER ONE FULL SECTION (18-FT MINIMUM) OF THE PROPOSED SANITARY LINE AT THE 2" DOMESTIC WATER LINE CROSSING.

**LEGEND**

- PROPOSED GRADE CLEAN-OUT (G.C.O.)
- EXISTING SAN MANHOLE
- EXISTING SAN SEWER
- PROPOSED SAN SEWER
- EXISTING WATER
- PROPOSED WATER
- PROPOSED STORM SEWER
- PROPOSED STORM MANHOLE
- PROPOSED STORM INLET
- EXISTING STORM SEWER
- EXISTING STORM MANHOLE
- EXISTING INLET

**BENCHMARK**

MONUMENT NAME 10 GPS MONU 1995 IS A BRASS CAP SET IN CONCRETE STAMPED "CITY OF PEARLAND 10 GPS MONU, 1995" LOCATED ON THE SOUTH BOUND HIGHWAY 288 APPROXIMATELY 2,400 FEET SOUTH OF F.M. 518 AND 21 FEET WEST FROM THE WEST EDGE OF ASPHALT. ELEV.=59.29' (NGVD 1929, 1987 ADJUSTMENT).

TBM A: BOX CUT ON H2-INLET LOCATED ON THE NORTH SIDE OF COUNTY ROAD 101 SOUTH OF THE SOUTHWEST CORNER OF THE PROPERTY, AS SHOWN. ELEVATION = 64.44'

TBM B: BOX CUT ON RCP LOCATED ON THE EAST SIDE OF COUNTY ROAD 94 NEAR THE EAST PORTION OF THE PROPERTY, AS SHOWN. ELEVATION = 61.48'

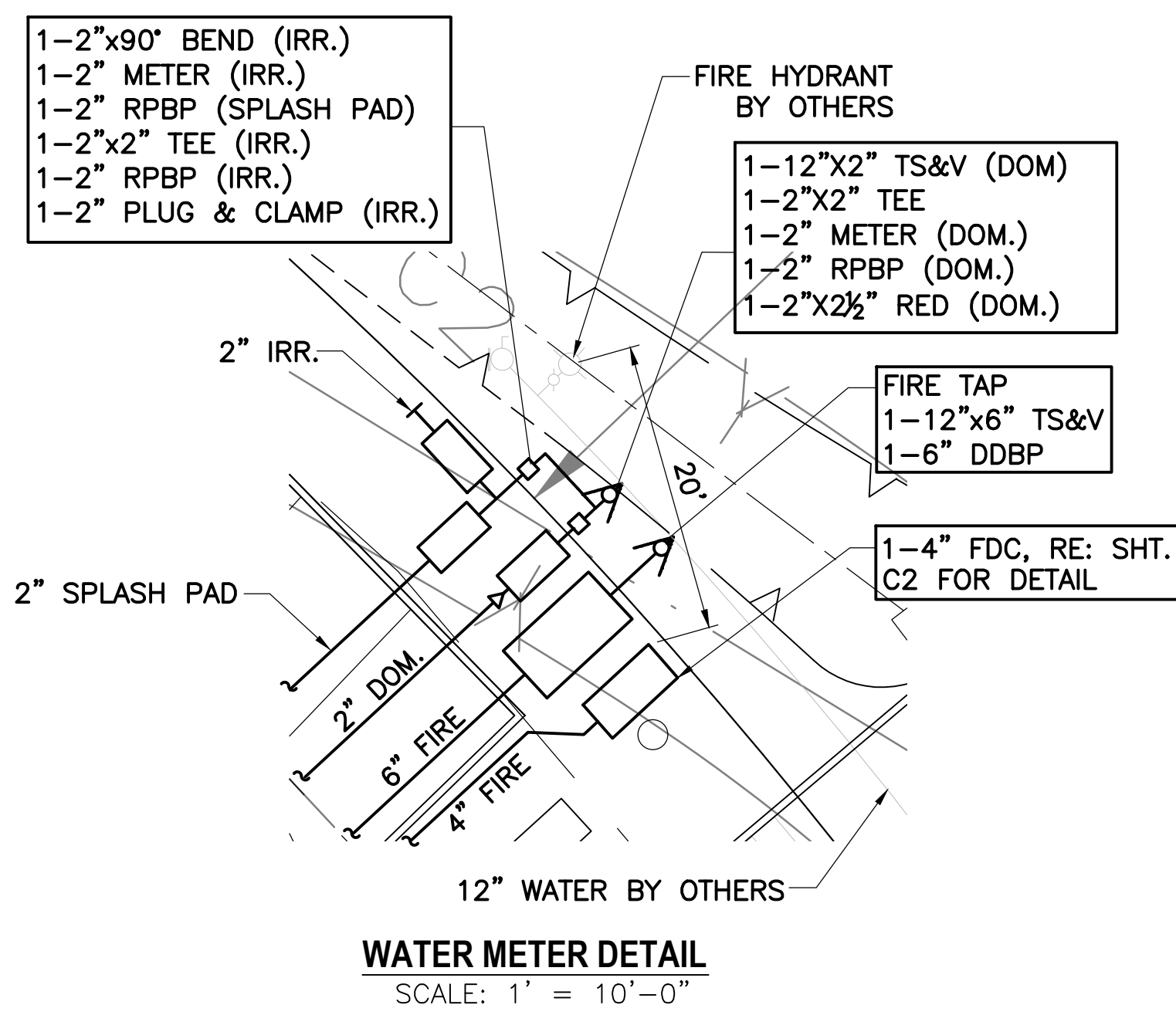
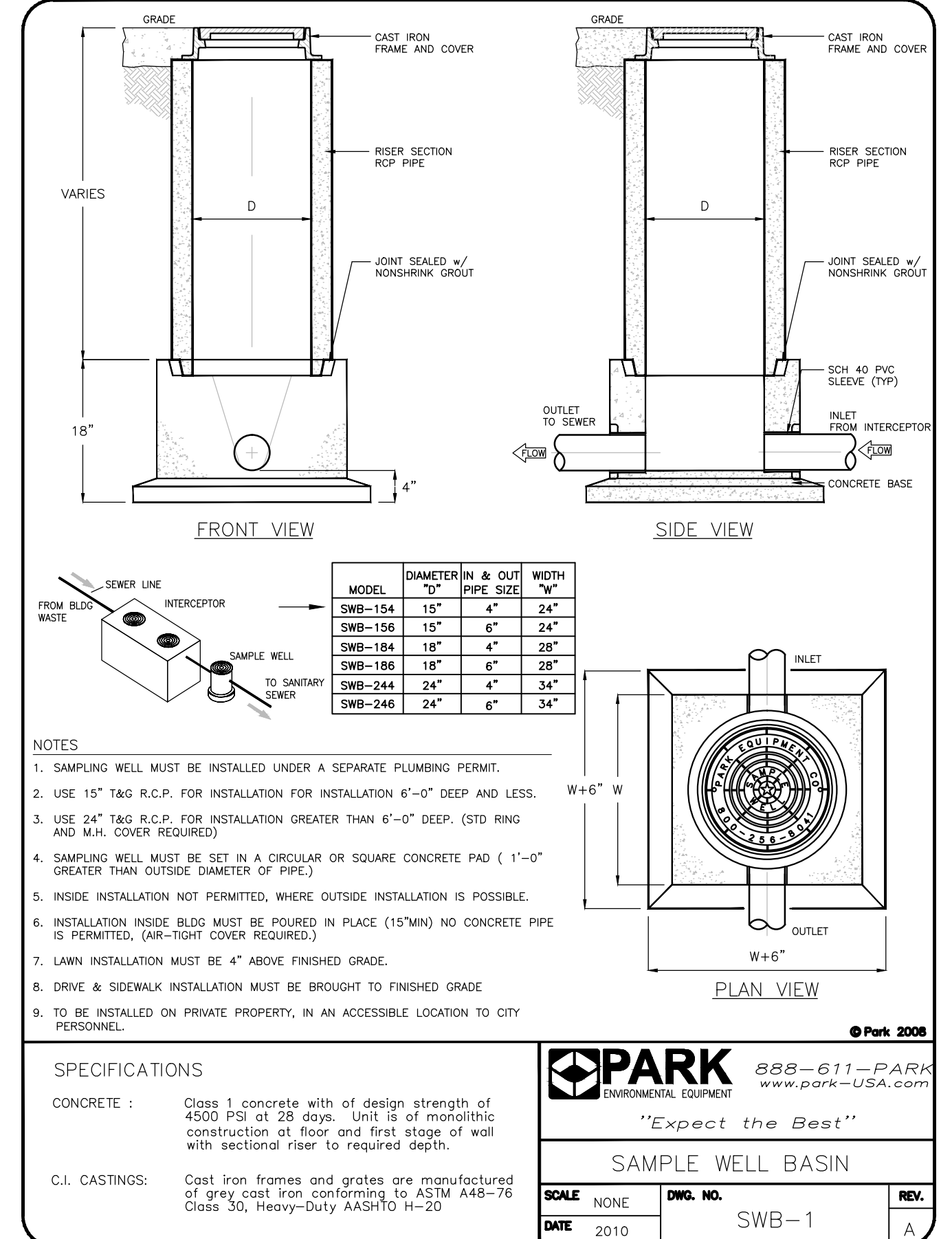
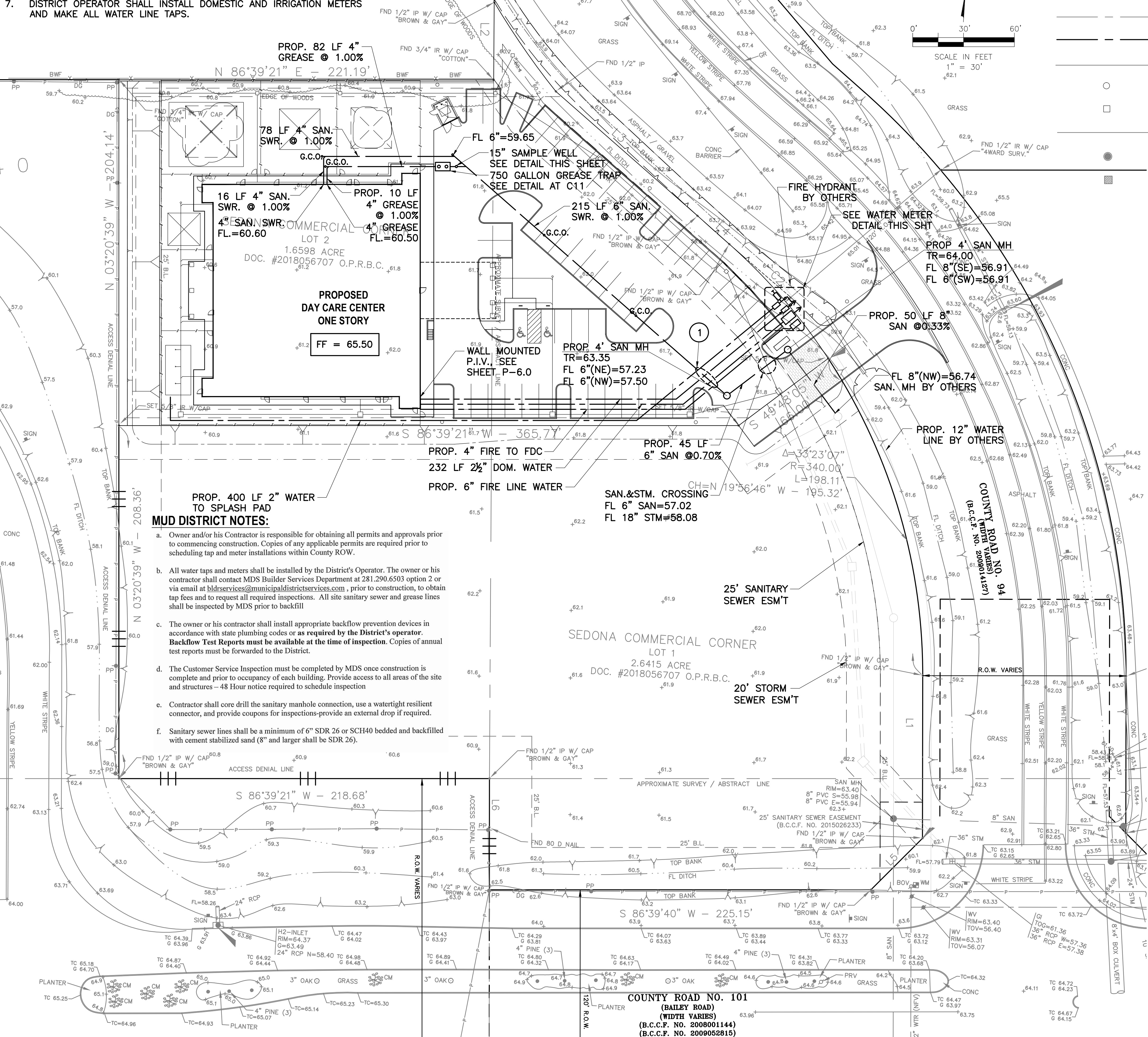
**FLOOD NOTE**

ACCORDING TO THE FEDERAL EMERGENCY MANAGEMENT AGENCY'S FLOOD INSURANCE RATE MAP FOR BRAZORIA COUNTY, TEXAS AND INCORPORATED AREAS, COMMUNITY PANEL NO. 48039-C-0020 H EFFECTIVELY DATED JUNE 5, 1989, THIS PROPERTY LIES IN ZONE "AE", SPECIAL FLOOD HAZARD AREAS INUNDAED BY THE 1% ANNUAL CHANCE FLOOD EVENT WITH BASE FLOOD ELEVATIONS DETERMINED.

**REVISIONS AND ISSUANCE**

NO.	DATE	DESCRIPTION

**IVY KIDS EARLY LEARNING CENTER**  
 4434 CR 94  
 MANVEL, TEXAS 77578



**MUD DISTRICT NOTES:**

- Owner and/or his contractor is responsible for obtaining all permits and approvals prior to commencing construction. Copies of any applicable permits are required prior to scheduling tap and meter installations within County ROW.
- All water taps and meters shall be installed by the District's Operator. The owner or his contractor shall contact MDS Builder Services Department at 281.290.6503 option 2 or via email at hldrservices@municipaldistrictservices.com, prior to construction, to obtain tap fees and to request all required inspections. All site sanitary sewer and grease lines shall be inspected by MDS prior to backfill.
- The owner or his contractor shall install appropriate backflow prevention devices in accordance with state plumbing codes or as required by the District's operator. Backflow Test Reports must be available at the time of inspection. Copies of annual test reports must be forwarded to the District.
- The Customer Service Inspection must be completed by MDS once construction is complete and prior to occupancy of each building. Provide access to all areas of the site and structures - 48 Hour notice required to schedule inspection.
- Contractor shall core drill the sanitary manhole connection, use a watertight resilient connector, and provide coupons for inspections-provide an external drop if required.
- Sanitary sewer lines shall be a minimum of 6" SDR 26 or SCH40 bedded and backfilled with cement stabilized sand (8" and larger shall be SDR 26).

MISSION ENGINEERING INC.  
 10370 RICHMOND AVE, #560  
 HOUSTON, TEXAS 77042  
 (713) 713-981-0018  
 [E] dzhuang@missioneng.com  
 TPEF Registration No. F-11771



04/23/2019  
 DRAWING TITLE  
**UTILITY PLAN**  
 DRAWN BY: KN  
 CHECKED BY: EL  
 DATE: 04/23/2019  
 JOB NO.: 1806251  
 DRAWING NO.: **C4**