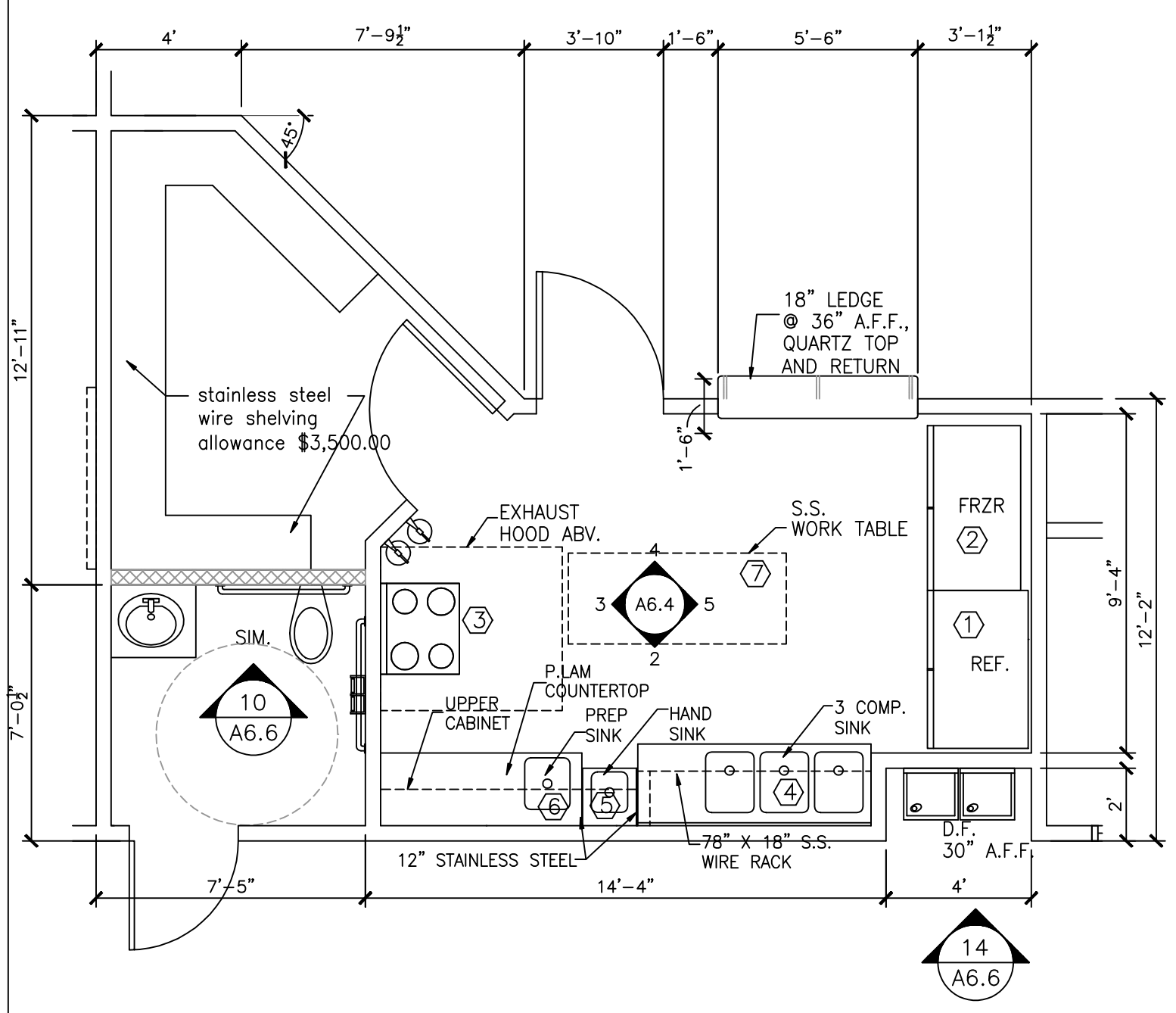


REVISIONS AND ISSUANCE		
NO.	DATE	DESCRIPTION
1	08/13/2017	PRICING
2	09/20/2018	PERMIT

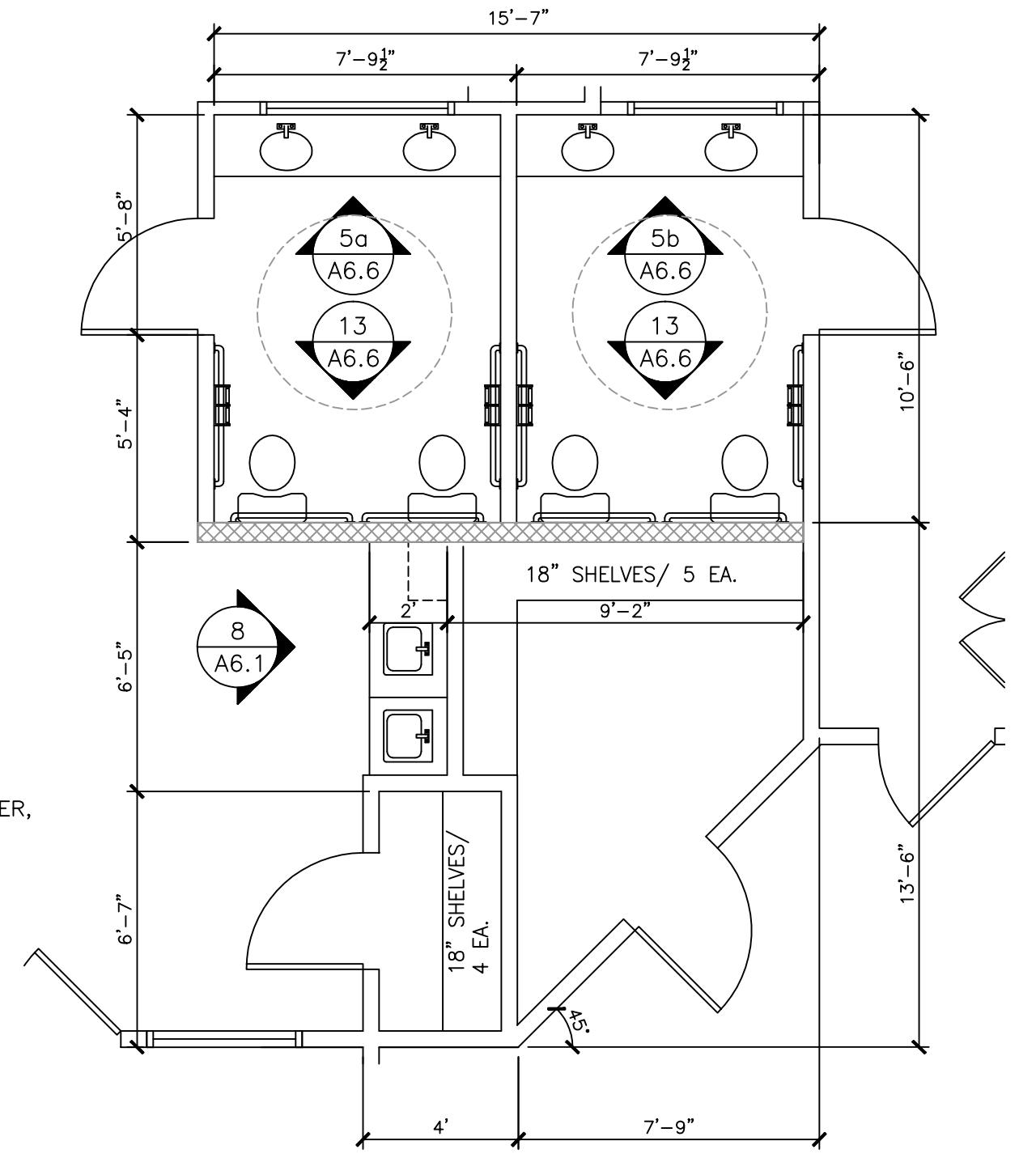
IVY KIDS EARLY LEARNING CENTER
4434 CR 94
Manvel, Tx 77578

- ① REFRIGERATOR AVATCO SS-2R-HC 54" REACH - IN
- ② FREEZER TURBO AIR, TSF-49SD
- ③ RANGE VULCAN, GAS RANGE, MODEL #36LC
- ④ 3 COMP. SINK STAINLES STEEL 18"x18"x14" with internal round corner PROVIDE 12" S.S. SPLASH GUARD
- ⑤ PREP SINK STAINLES STEEL
- ⑥ HAND SINK STAINLES STEEL
- ⑦ WORK TABLE STAINLES STEEL - 72" X 30" 14 GA. W/ ROUND CORNER

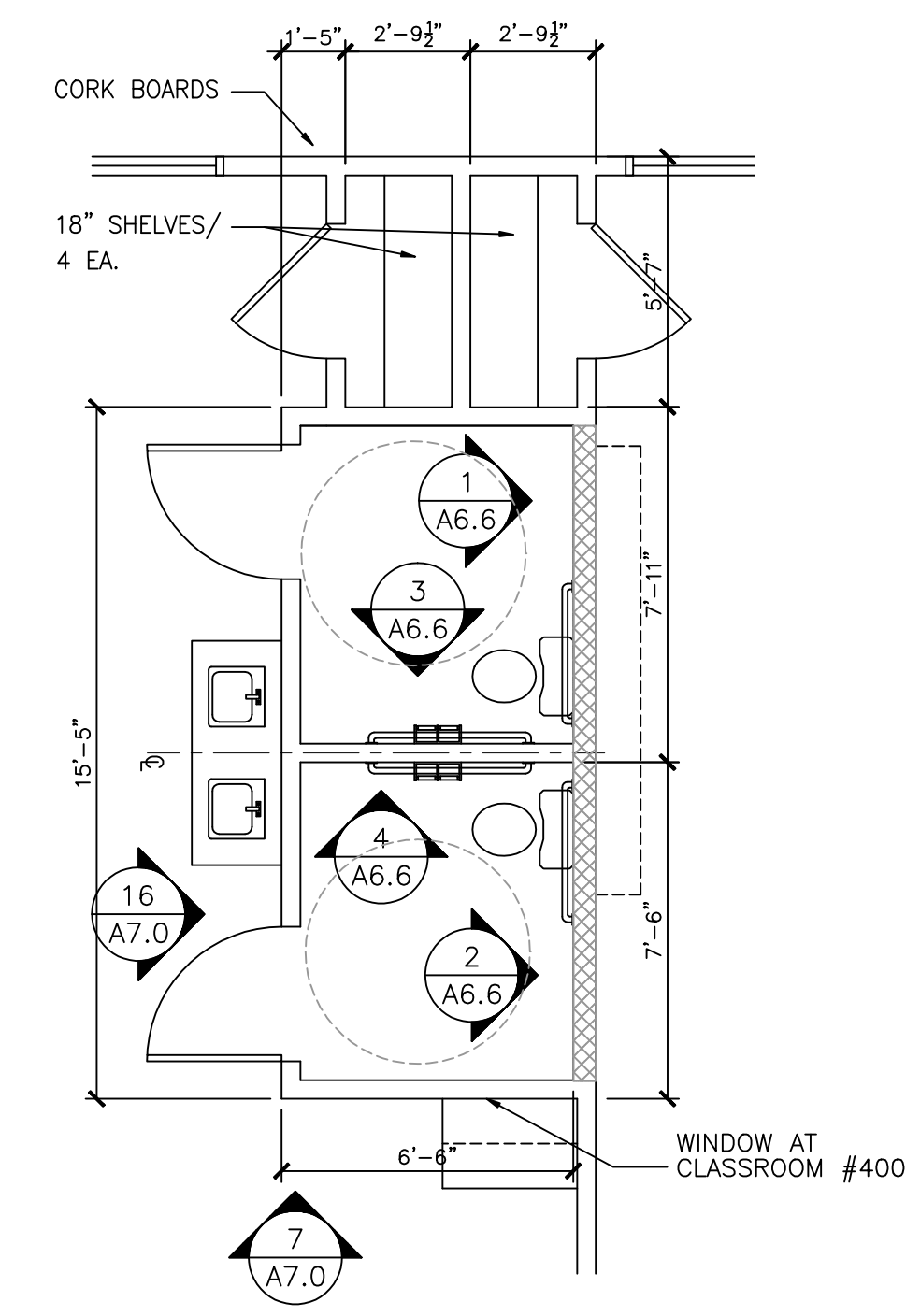


1 KITCHEN PLAN-ENLARGED
 1/4" = 1'-0"

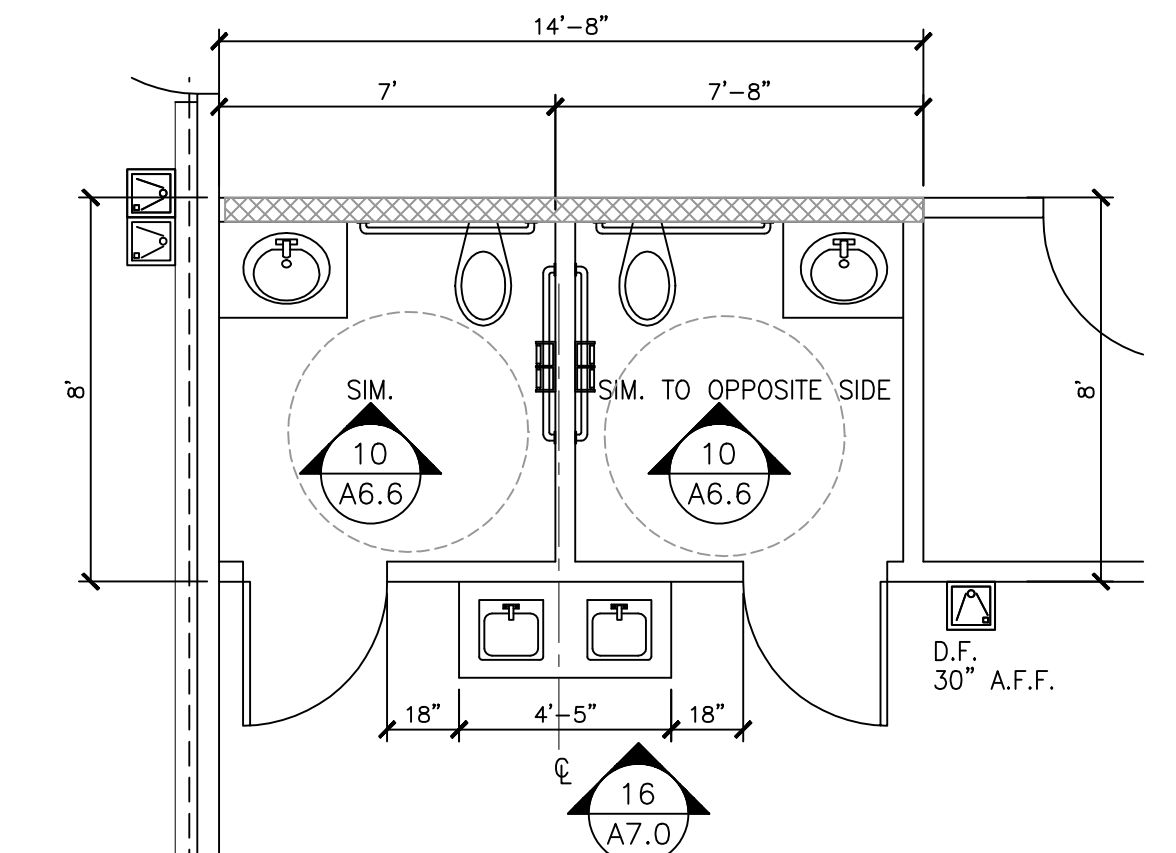
NOTE:
 1. HAND SINK SHALL BE PROVIDED WITH A SOAP DISPENSER, PAPER TOWEL HOLDER AND TRASH RECEPTACLE.



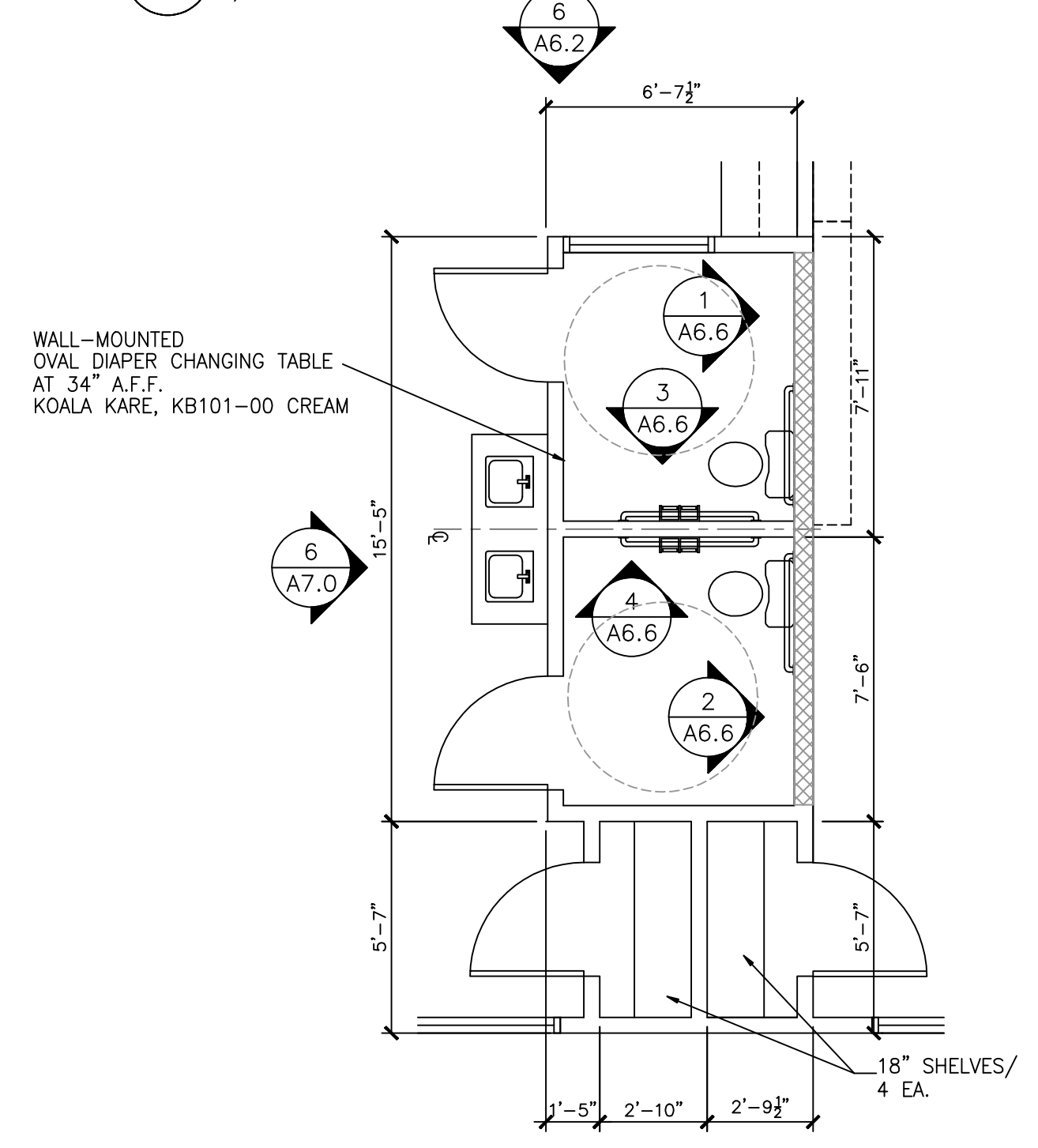
4 RESTROOM PLAN-ENLARGED
 1/4" = 1'-0"



6 RESTROOM PLAN-ENLARGED
 1/4" = 1'-0"
 CLASSROOM #400-SIM.
 CLASSROOM #450
 CLASSROOM #500
 CLASSROOM #550-OPP. HD.

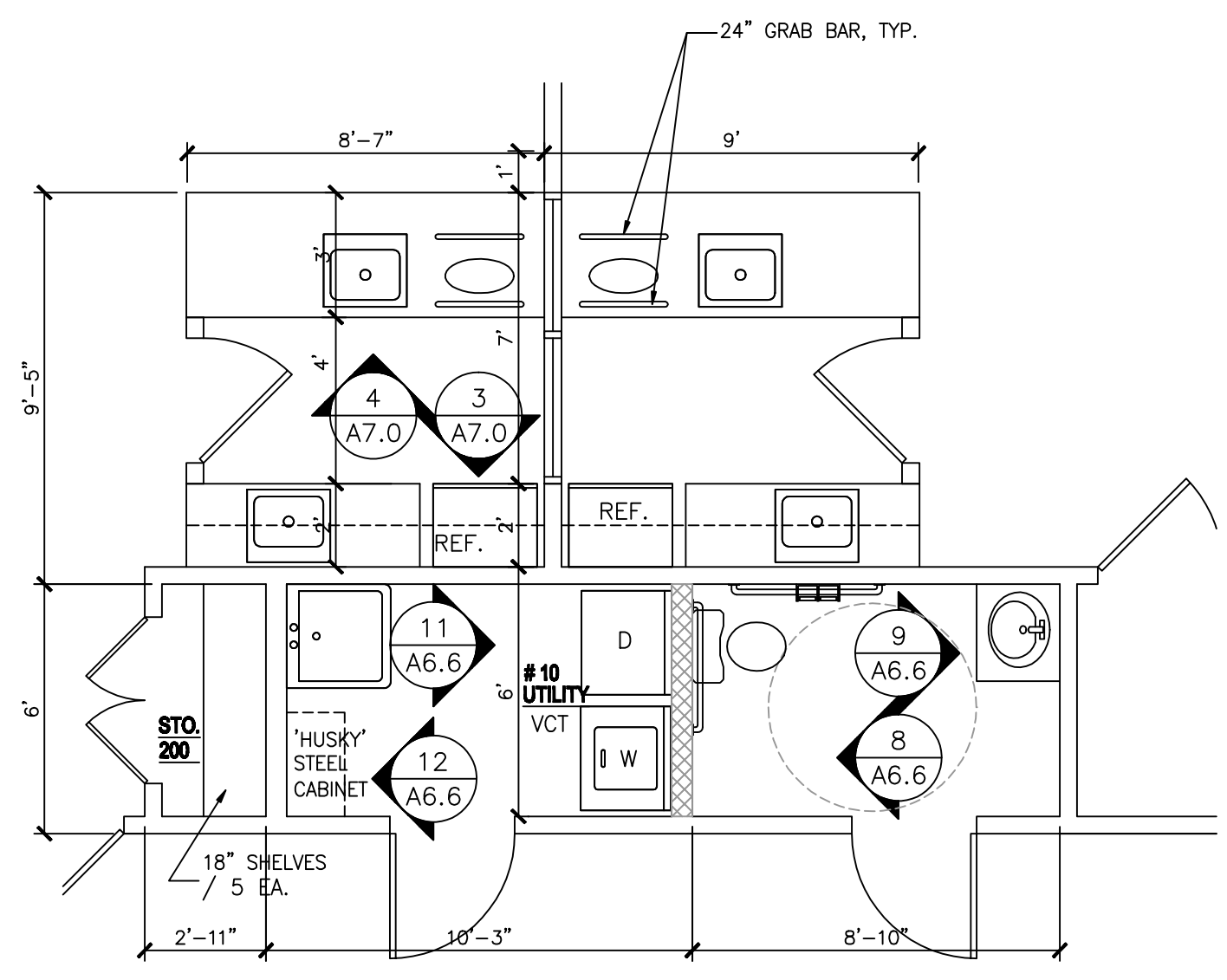


2 RESTROOM PLAN @ ACTIVITY-ENLARGED
 1/4" = 1'-0"

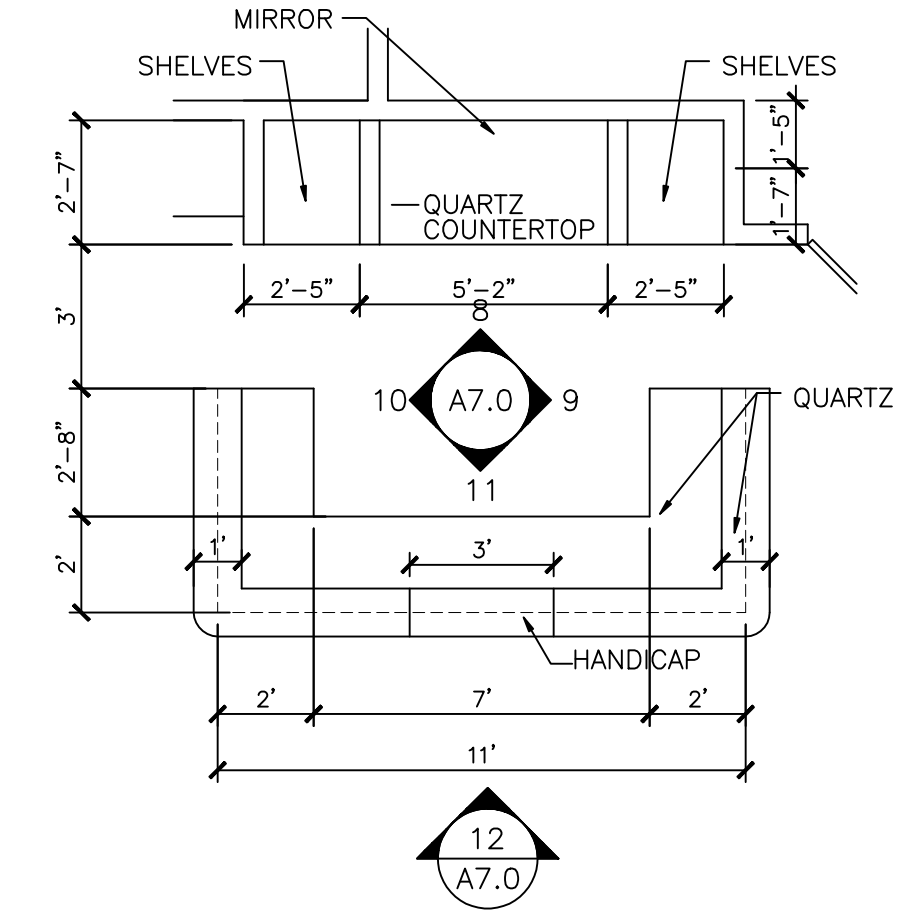


3 RESTROOM PLAN-ENLARGED
 1/4" = 1'-0"

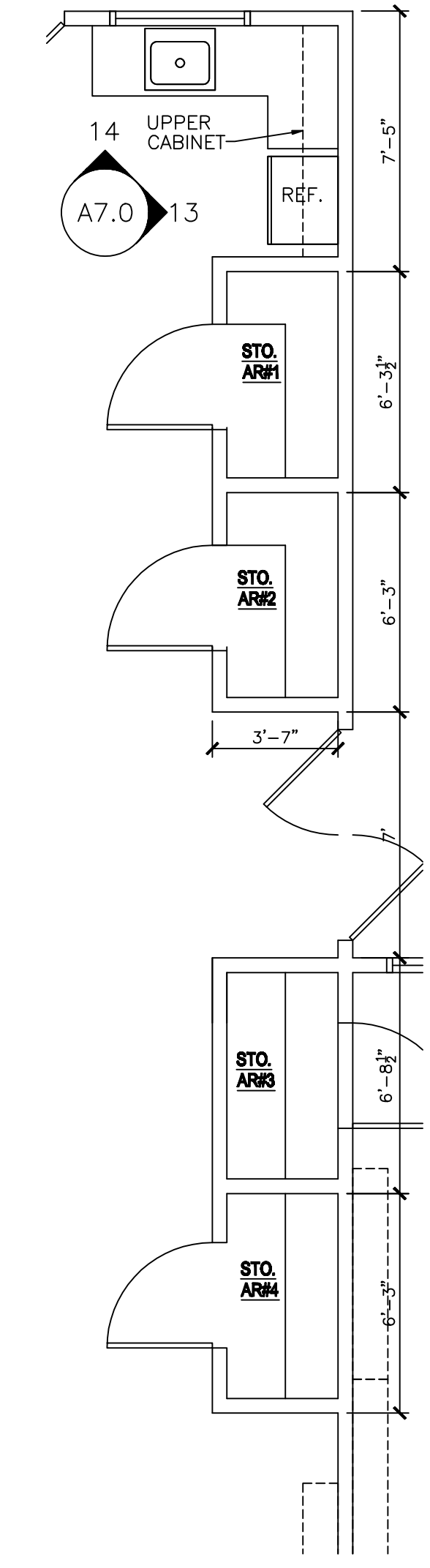
CLASSROOM #300
 CLASSROOM #350
 NOTE:
 1. PROVIDE BLOCKING FOR CHANGING TABLE.



5 UTILITY/RESTROOM PLAN-ENLARGED
 1/4" = 1'-0"
 CLASSROOM #150-KITCHEN
 CLASSROOM #200-KITCHEN



7 RECEPTION AREA PLAN-ENLARGED
 1/4" = 1'-0"



8 ACTIVITY ROOM COUNTER PLAN-ENLARGED
 1/4" = 1'-0"

GENERAL NOTE:
 ALL BATHROOMS TO BE SLOPED TO FLOOR DRAIN. (SEE:P-1)



DRAWING TITLE	
ENLARGED FLOOR PLANS	
DRAWN BY	CHECKED BY
DATE	JOB NO.
DRAWING NO.	