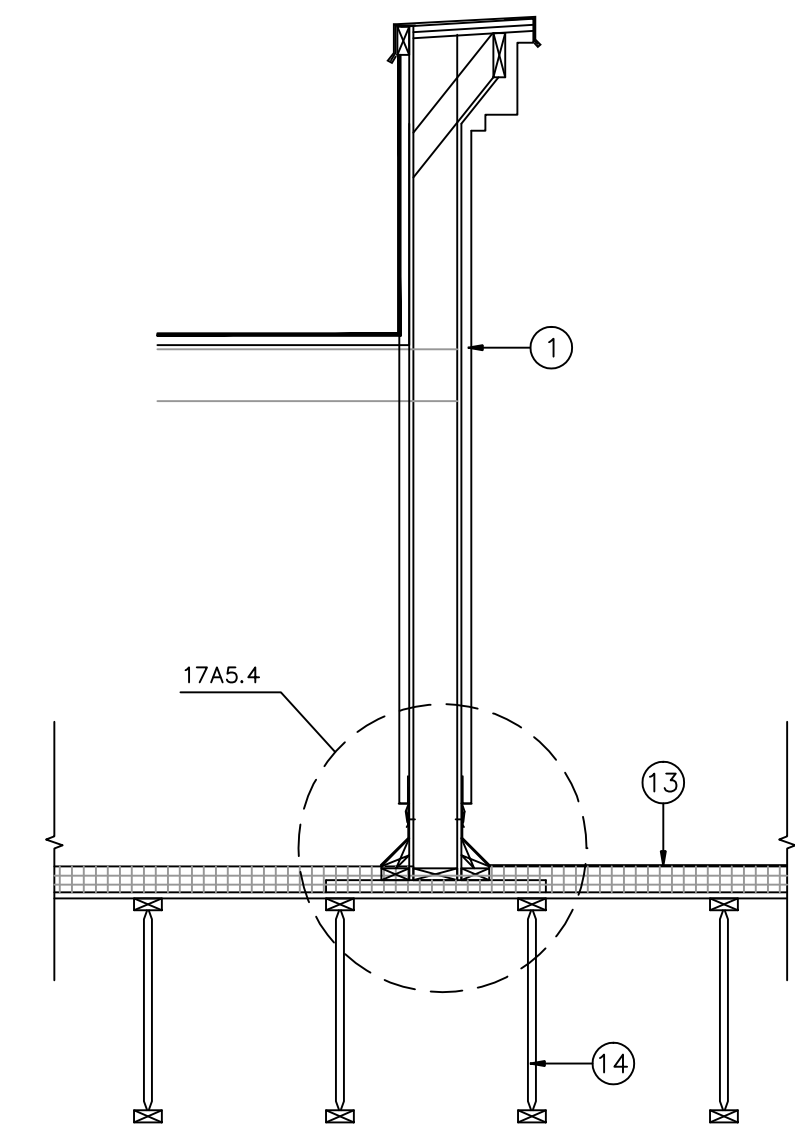
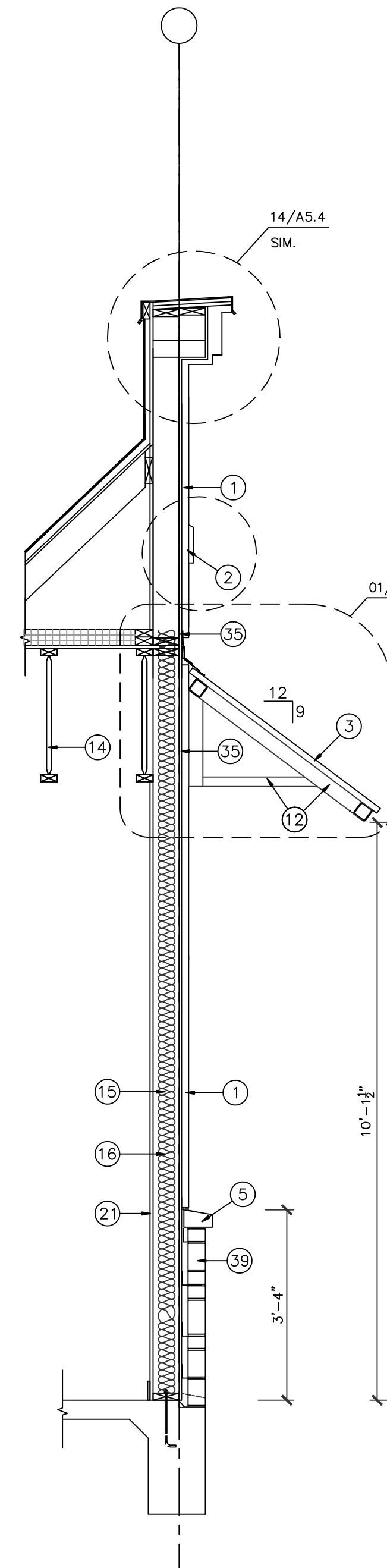


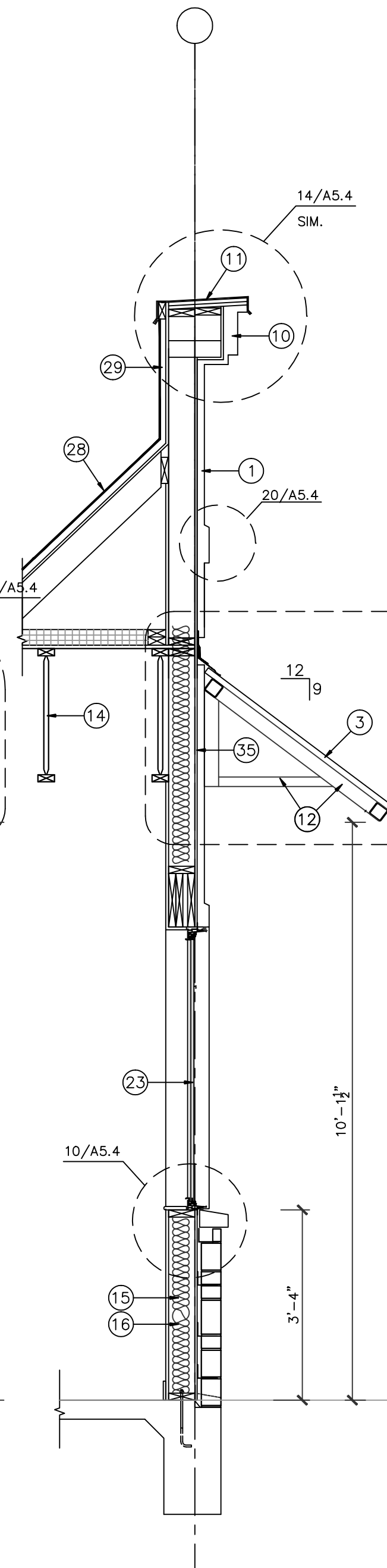
SEE BUILDING ELEVATIONS AND ROOF PLAN FOR ACTUAL WALL HEIGHT,



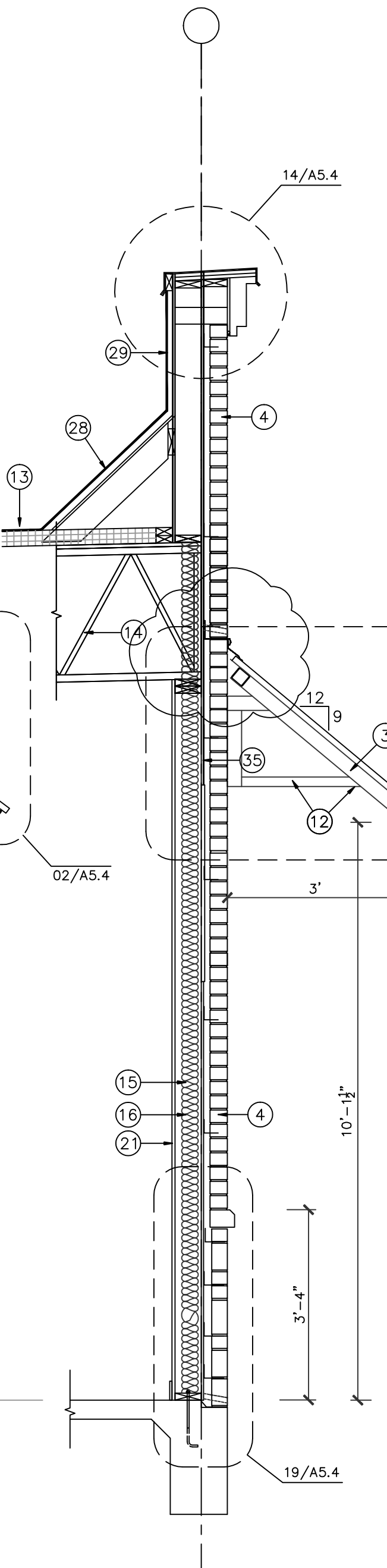
**09 WALL SECTION**  
SCALE: 1/2"=1'-0"



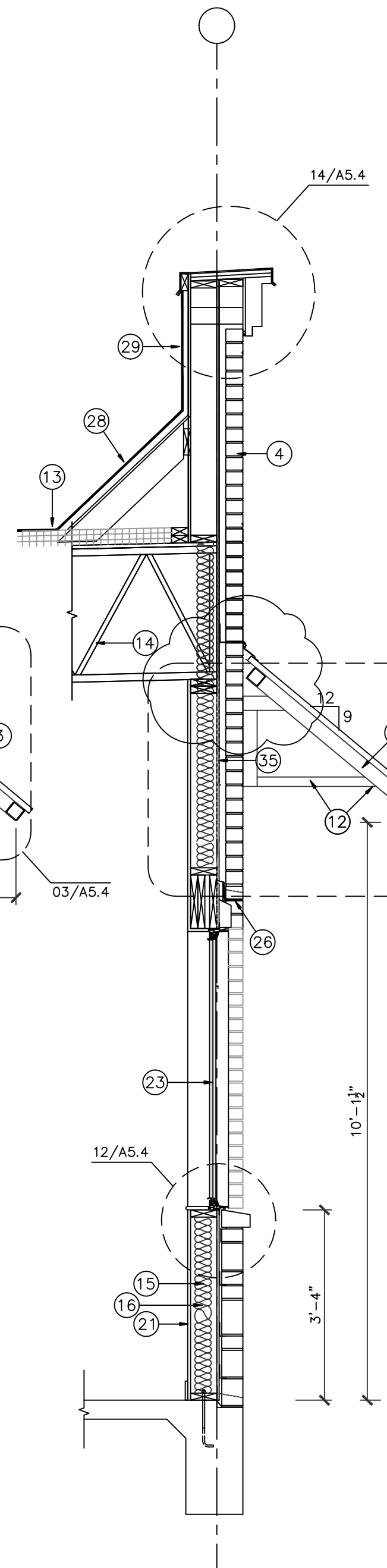
**07 WALL SECTION**  
SCALE: 1/2"=1'-0"



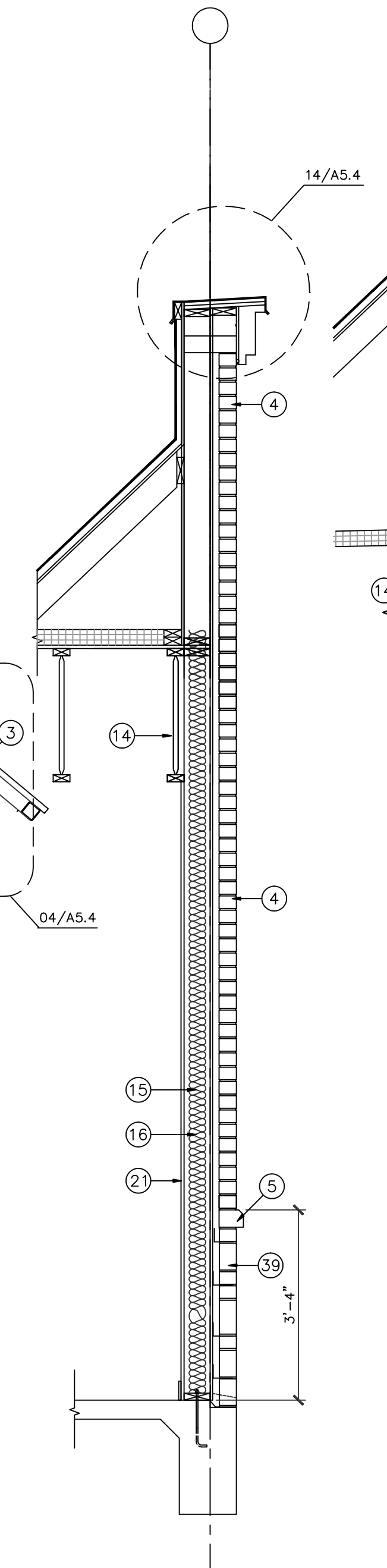
**06 WALL SECTION**  
SCALE: 1/2"=1'-0"



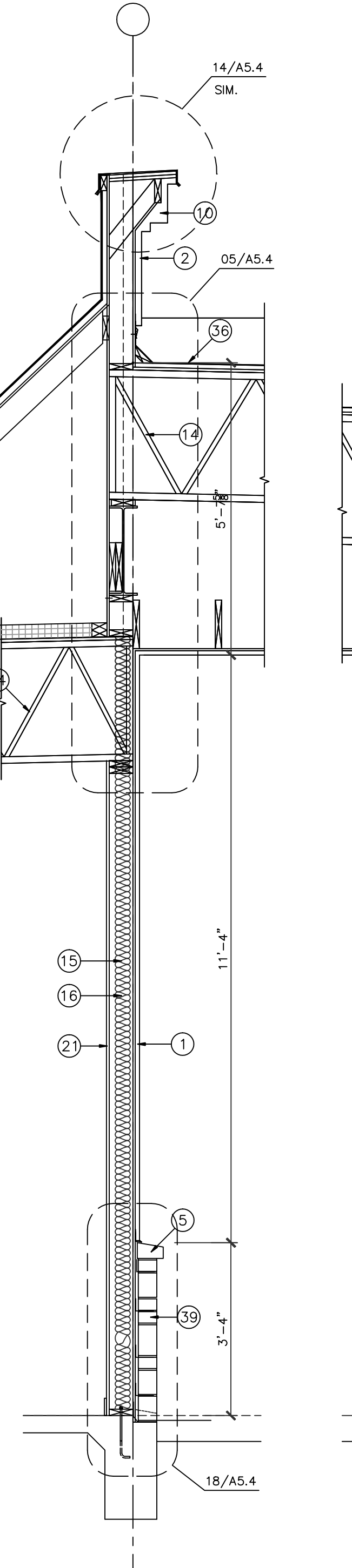
**05 WALL SECTION**  
SCALE: 1/2"=1'-0"



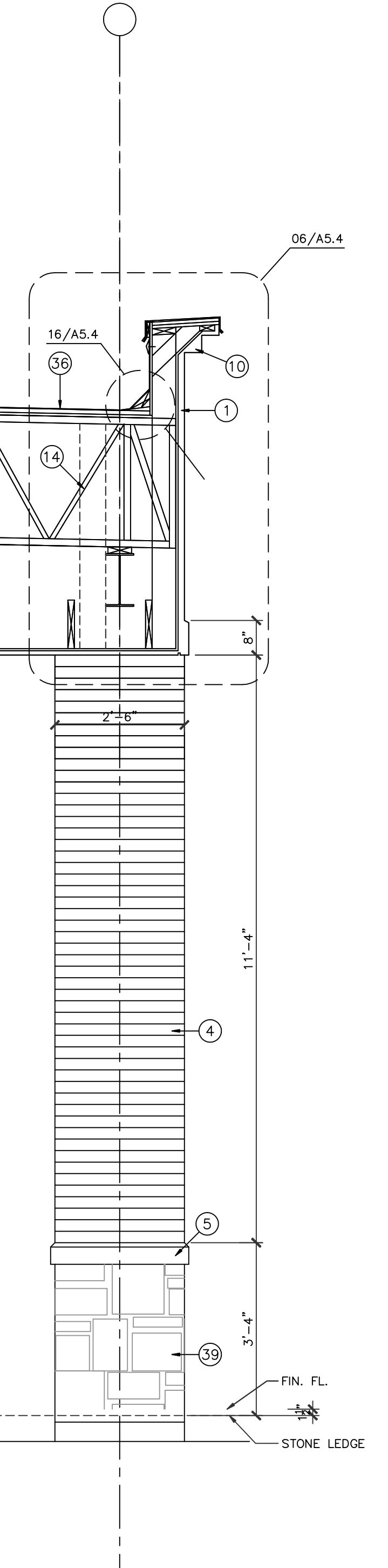
**04 WALL SECTION**  
SCALE: 1/2"=1'-0"



**03 WALL SECTION**  
SCALE: 1/2"=1'-0"



**02 WALL SECTION**  
SCALE: 1/2"=1'-0"



**01 WALL SECTION**  
SCALE: 1/2"=1'-0"

1. 1" STUCCO ON STEEL WIRE MESH. PAINTED
2. STUCCO BAND
3. STANDING SEAM METAL ROOF, by "BERRIDGE"
4. BRICK
5. LIMESTONE CAP
6. GALVANIZED METAL FLASHING
7. 10"x8" GALV. METAL DOWNSPOUT, CONNECTED TO UNDERGROUND STORM DRAIN SYSTEM, SEE CIVIL DRAWING.
8. 18"Wx12"H OVERFLOW SCUPPER
9. 18"Wx12"H ROOF SCUPPER WITH DRAIN BOX
10. CROWN MOLDING, PAINTED, SEE DETAIL FOR SIZE
11. GALVANIZED METAL CAP, PAINTED COLOR TO MATCH MOLDING
12. STRUCTURAL FRAME, PAINTED COLOR TO MATCH STANDING SEAM METAL ROOF
13. 3 PLY MODIFIED BITUMEN BUILT UP ROOF ON R=19 RIGID INSULATION ON 5/8" EXTERIOR PLY WOOD DECK (single ply is not acceptable)
14. TRUSS, SEE STRUCTURAL (TRUSS ORIENTATION AS SHOWN MAY VARY)
15. 5 1/2" R-19 BATT INSULATION AT ALL EXTERIOR WALLS
16. 2X6 WOOD STUDS @ 16" O.C. SEE STRUCTURAL
17. BRICK TIES, 22 GA, @ 16" O.C. HORIZONTAL & 32" O.C. VERTICAL
18. WEEP HOLES @ 24" O.C.
19. PLASTIC FLASHING (THRU-WALL TYPE)
20. 1/2"x12" LG A.B. @ 36" O.C.
21. 5/8" GYPSUM BOARD, PAINED. (USE WATER RESISTANT GYP. BOARD AT PLUMBING WALLS)
22. SCHEDULED DOOR
23. SCHEDULED WINDOW
24. SCHEDULED BASE
25. HOLLOW METAL FRAME / DOOR
26. STEEL LINTEL, PAINTED COLOR TO MATCH WALL, SIZE SEE STRUCTURAL
27. SEALANT AND BACKER ROD
28. PLASTER ON SHEATHING ON STUD FRAME BRACING
29. 'R' PANEL SIDING
30. CONTINUOUS CAULK
32. SOFFIT, PLASTER ON METAL LATH ON SHEATHING
33. CONTINUOUS SOFFIT VENT
34. W/P MEMBRANE OVER PLYWOOD SHEATHING ON STUDS, SEE BRACING NOTES ON STRUCTURAL DRAWING
35. 1/2" EXTERIOR PLYWOOD OR O.S.B. SHEATHING COVERED "TYVEK" STUCCO WARP
36. 3 PLY MODIFIED BITUMEN BUILT UP ROOF ON 1" RIGID INSULATION ON 5/8" EXTERIOR PLY WOOD DECK (single ply is not acceptable)
37. STEEL BEAM, SEE STRUCTURAL
38. 2x TREATED WOOD BLOCK CONTINUOUS
39. STONE
40. 1/2"x1/2" DRIP. 'FRY REGLET'

REVISIONS AND ISSUANCE		
NO.	DATE	DESCRIPTION
1	08/13/2017	PRICING
2	09/20/2018	PERMIT
	03/25/2019	DTL CLARIFICATION

**IVY KIDS EARLY LEARNING CENTER**  
4434 CR 94  
Manvel, Tx 77578

**JCC Architect, LLC**  
JCC@JCCArch.com  
JCCARCH.COM  
THIS SET OF DRAWINGS IS THE SOLE PROPERTY OF JCC ARCHITECT, LLC. IT IS UNLAWFUL TO COPY, REPRODUCE, TRANSMIT, OR IN ANY MANNER DISSEMINATE TO ANY PARTY WITHOUT THE WRITTEN PERMISSION OF JCC ARCHITECT, LLC. A WRITTEN PERMISSION MUST BE OBTAINED FROM JCC ARCHITECT, LLC PRIOR TO USE OF ANY OF THE DRAWINGS.



09/17/2018

DRAWING TITLE

**WALL SECTIONS**

DRAWN BY: manvel  
CHECKED BY: JC

DATE: 09/20/2018  
JOB NO.: manvel

DRAWING NO. **A-5.1**