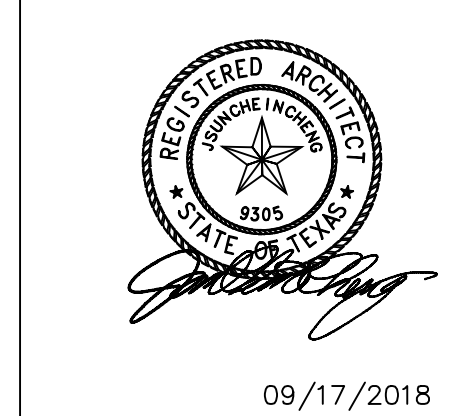


REVISIONS AND ISSUANCE		
NO.	DATE	DESCRIPTION
1	08/13/2017	PRICING
2	09/20/2018	PERMIT
	10/25/2018	FRANCHISE REV.

IVY KIDS EARLY LEARNING CENTER
4434 CR 94
Manvel, Tx 77578

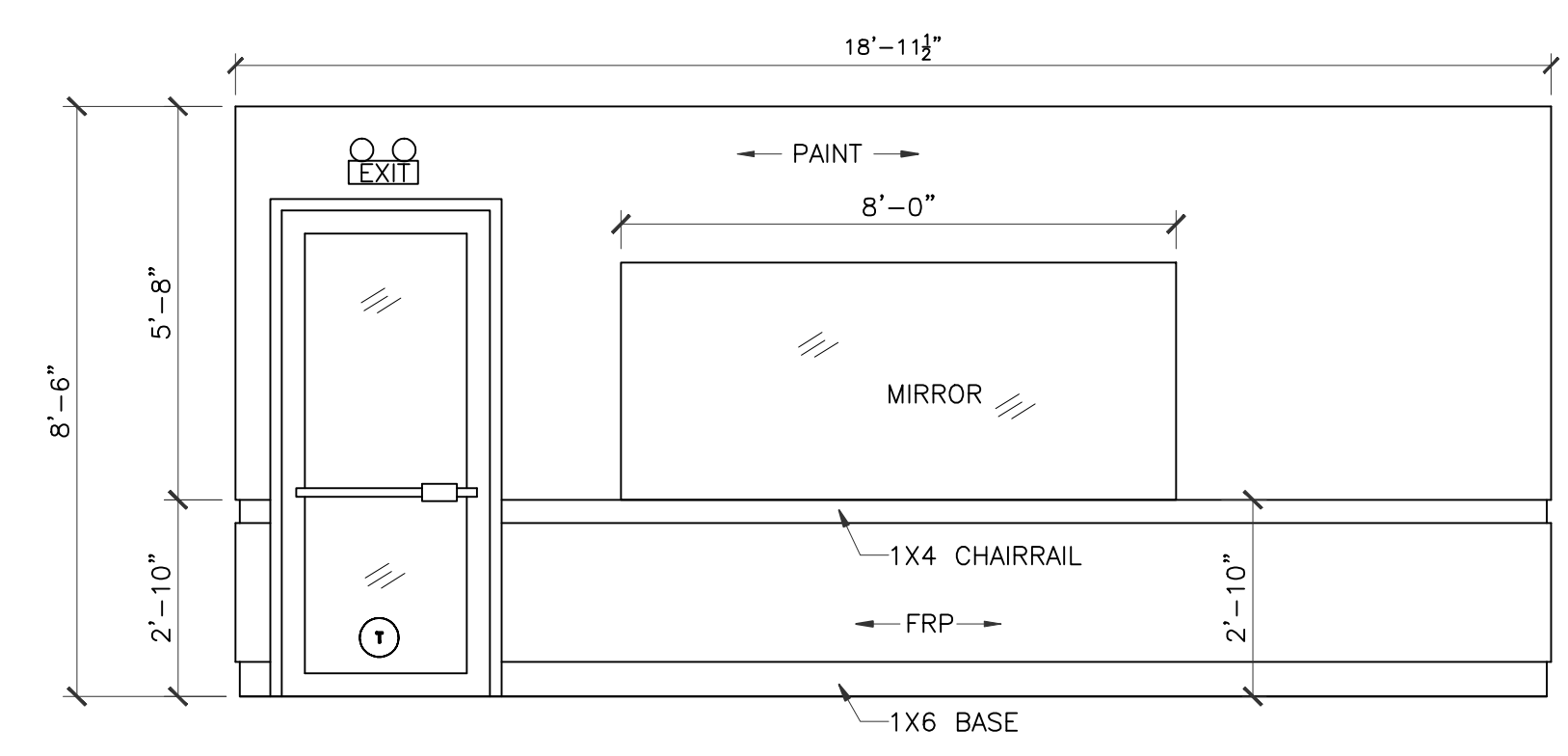
NOT ALL WALL OUTLETS, FIRE ALARM, FIRE SAFETY DEVICES ARE SHOWN, PREFER TO ALL OTHER PERTINENT DRAWINGS FOR COMPLETE INFORMATION

SEE A-6.8 FOR CUBBIE HOLE DESIGN

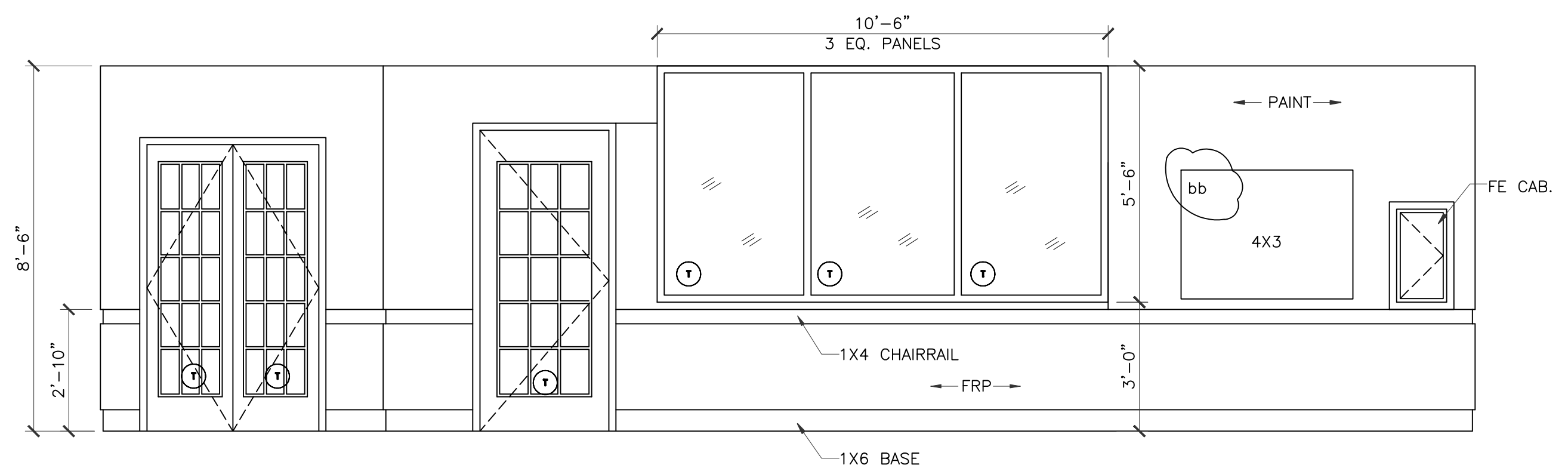


DRAWING TITLE	
INTERIOR ELEVATIONS	
DRAWN BY	CHECKED BY
DATE	JOB NO.
DRAWING NO.	

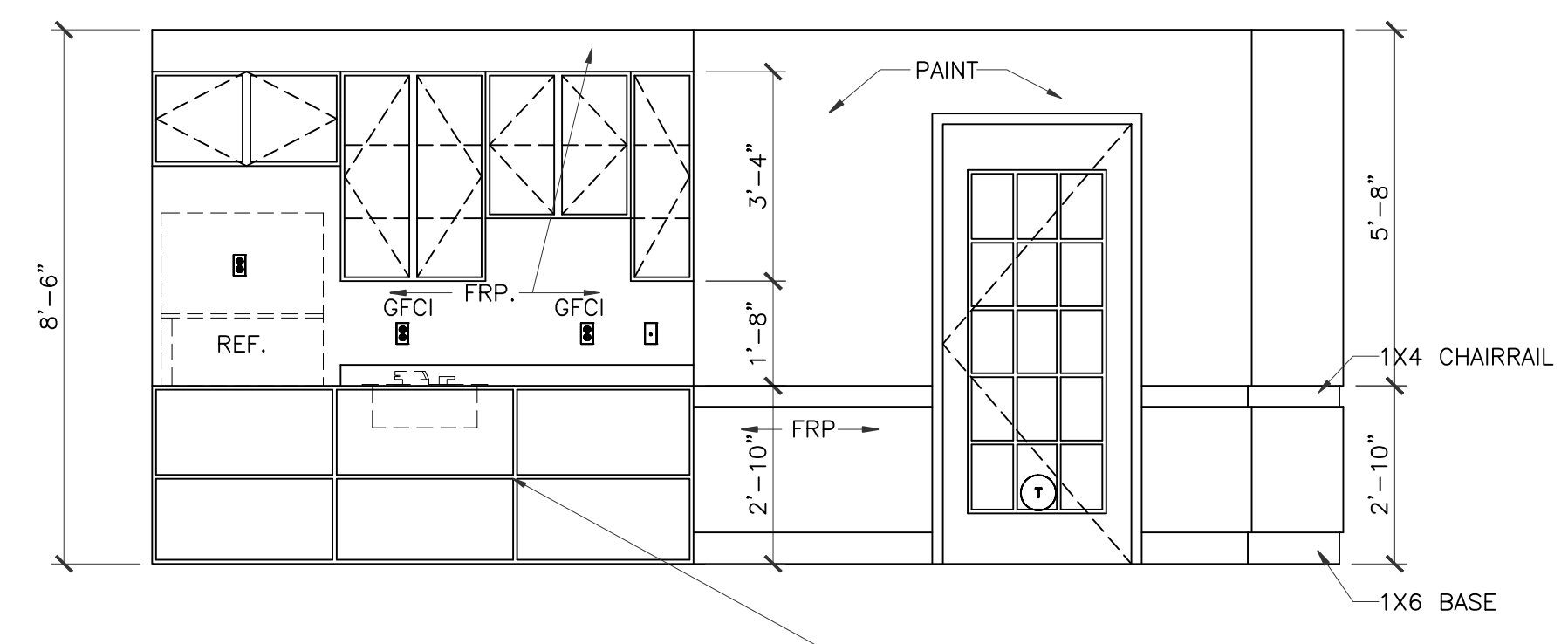
A-6.0



1 CLASSROOM #100 ELEVATION
 3/8" = 1'-0"

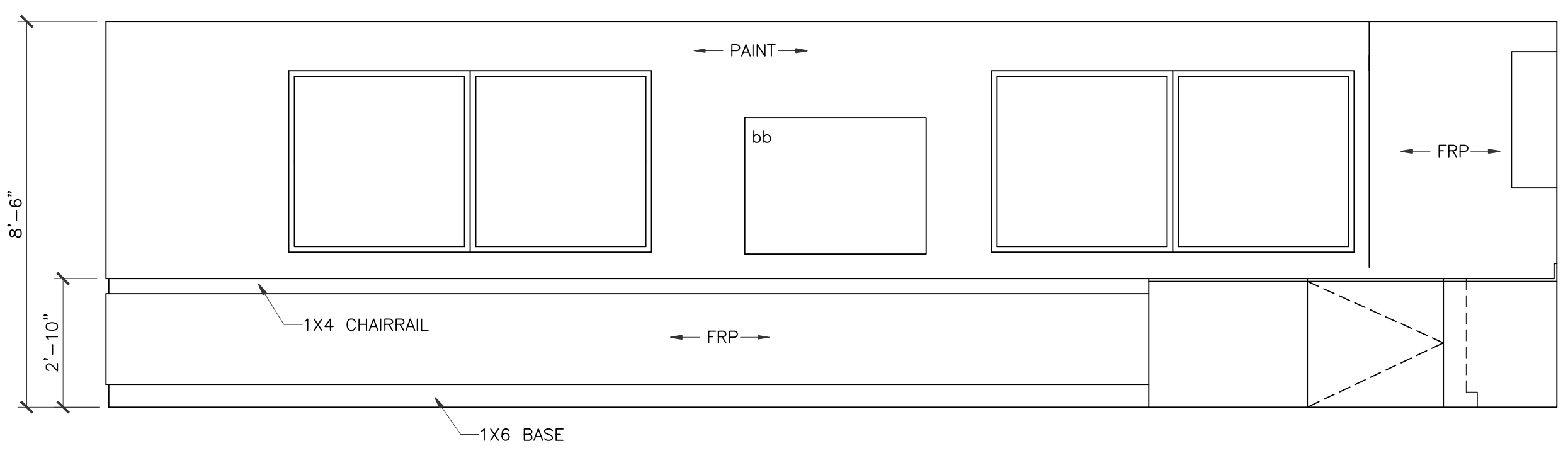


2 CLASSROOM #100 ELEVATION
 3/8" = 1'-0"



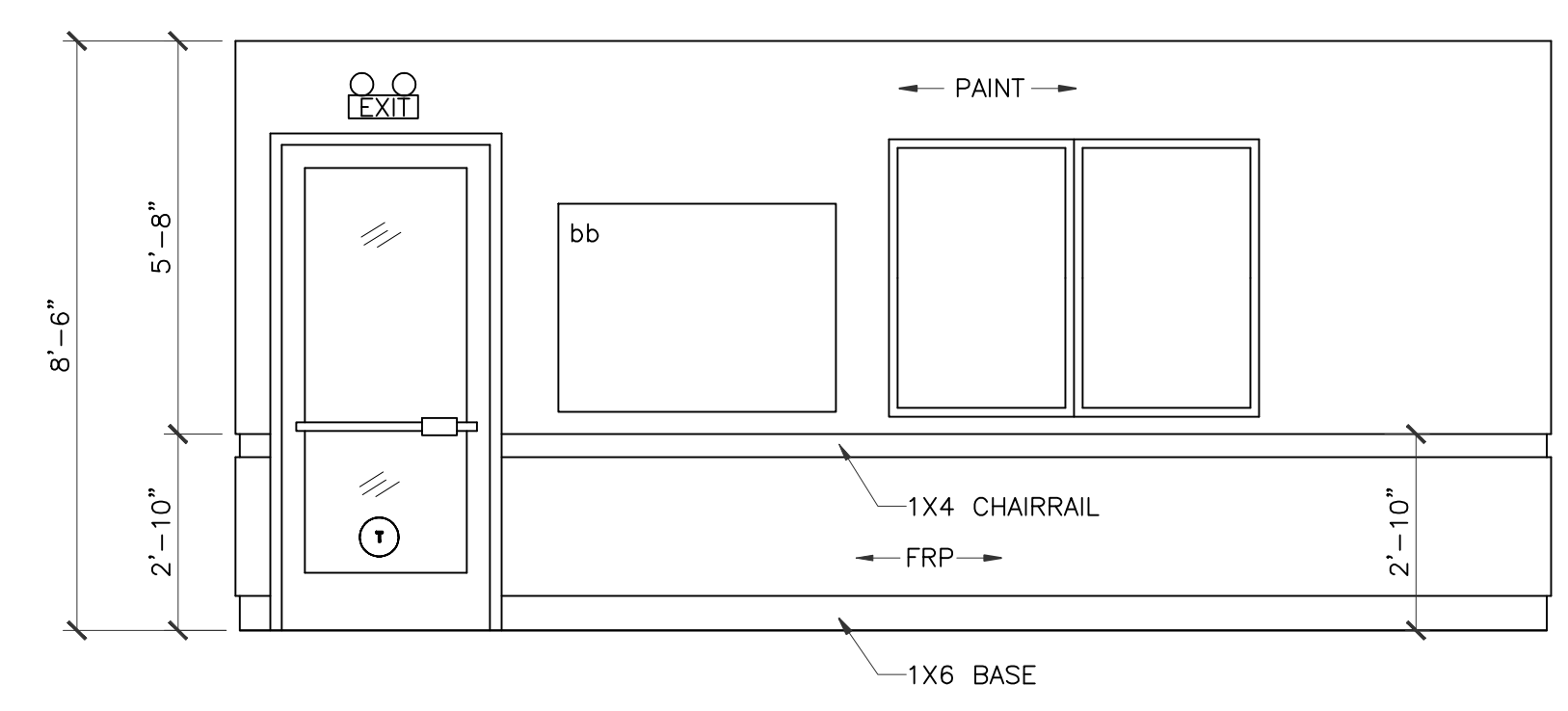
3 CLASSROOM #100 ELEVATION
 3/8" = 1'-0"

APPLY EDGE PROTECTION, MULTI-PURPOSE EDGES AND CORNER GUARDS SET Bebe Earth, www.julieearth.com, rooms 100 150 AND 200



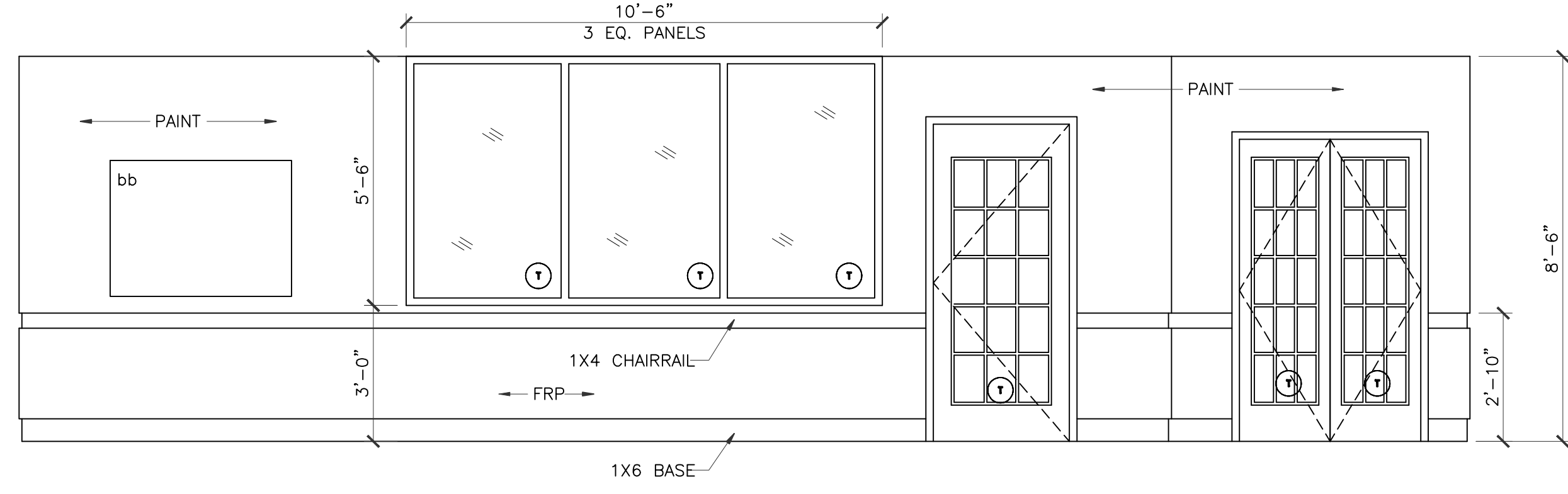
4 CLASSROOM #100 ELEVATION
 3/8" = 1'-0"

- ALL CHAIR RAIL SHALL HAVE A TRUE DIMENSION OF 4" HEIGHT SO TO ALIGN WITH COUNTER SPLASH
- PLACE THERMOSTAT SENSOR AT APPROX. 6' AFF TO AVOID CHILDREN PLAYING WITH THEM.
- FRAME OF ALL MIRROR SHALL BE TYPE 430 STAINLESS STEEL.
- COORDINATE WITH OWNER'S REP. OF ALL ELECTRICAL/DATA OUTLETS.
- ELECTRICAL OUTLETS FOR ALL TV /SMART MONITORS SHALL BE RECESSED TYPE.
- COORDINATE WITH LOCATION OF FIRE ALARM WITH FIRE ALARM DRAWINGS, FIELD COORDINATE OF FIRE EXTINGUISHER/ CABINETS LOCATION.
- TO AVOID CONFLICT, COORDINATION WITH MILLWORK, FURNITURE, WIDOWS, DOORS AND ALL OTHER EQUIPMENT. DEVICES MUST BE DONE PRIOR TO LOCATE THE WALL SWITCH AND/OR OUTLETS. GC IS RESPONSIBLE TO FIX THE FILED CONFLICT SHOULD IT OCCURS.

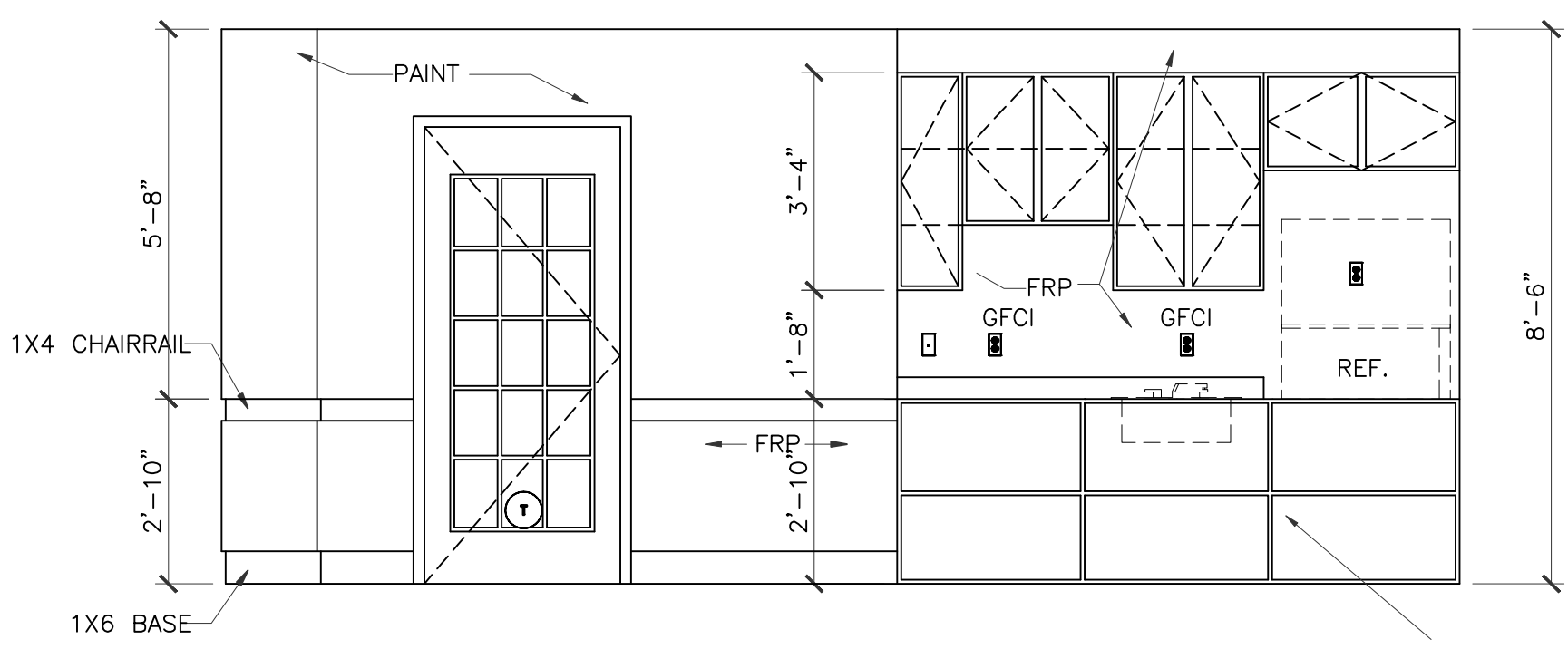


5 CLASSROOM #150 ELEVATION
 3/8" = 1'-0"

LEGEND
 bb Bulletin Board
 SEE A-2.0

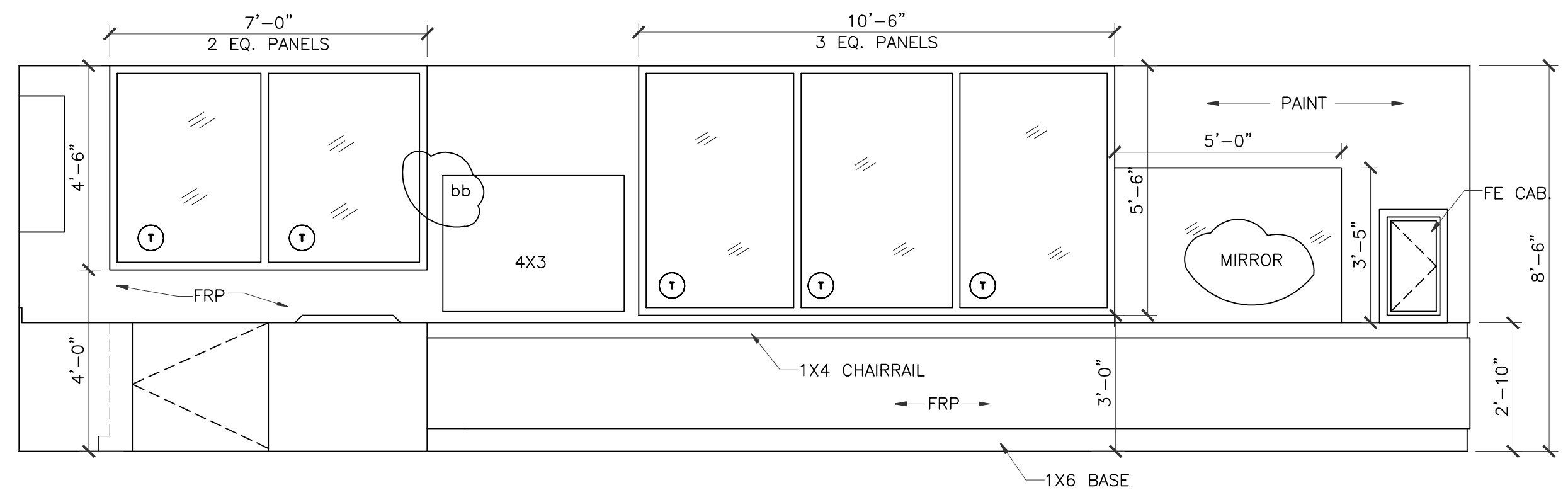


6 CLASSROOM #150 ELEVATION
 3/8" = 1'-0"



7 CLASSROOM #150 ELEVATION
 3/8" = 1'-0"

APPLY EDGE PROTECTION, MULTI-PURPOSE EDGES AND CORNER GUARDS SET Bebe Earth, www.julieearth.com, rooms 100 150 AND 200



8 CLASSROOM #150 ELEVATION
 3/8" = 1'-0"