

REVISIONS AND ISSUANCE		
NO.	DATE	DESCRIPTION
1	08/13/2017	PRICING
2	09/20/2018	PERMIT
	10/25/2018	FRANCHISE REV.

IVY KIDS EARLY LEARNING CENTER
4434 CR 94
Manvel, Tx 77578

LEGEND:
bb: Bulletin Board, see plan
vp: Vinyl wall pocket chart

NOTE: NOTE NOT ALL WALL OUTLET, FIRE ALARM, FIRE SAFETY DEVICES ARE SHOWN RE: PERTINENT DRAWINGS FOR COMPLETE INFORMATION



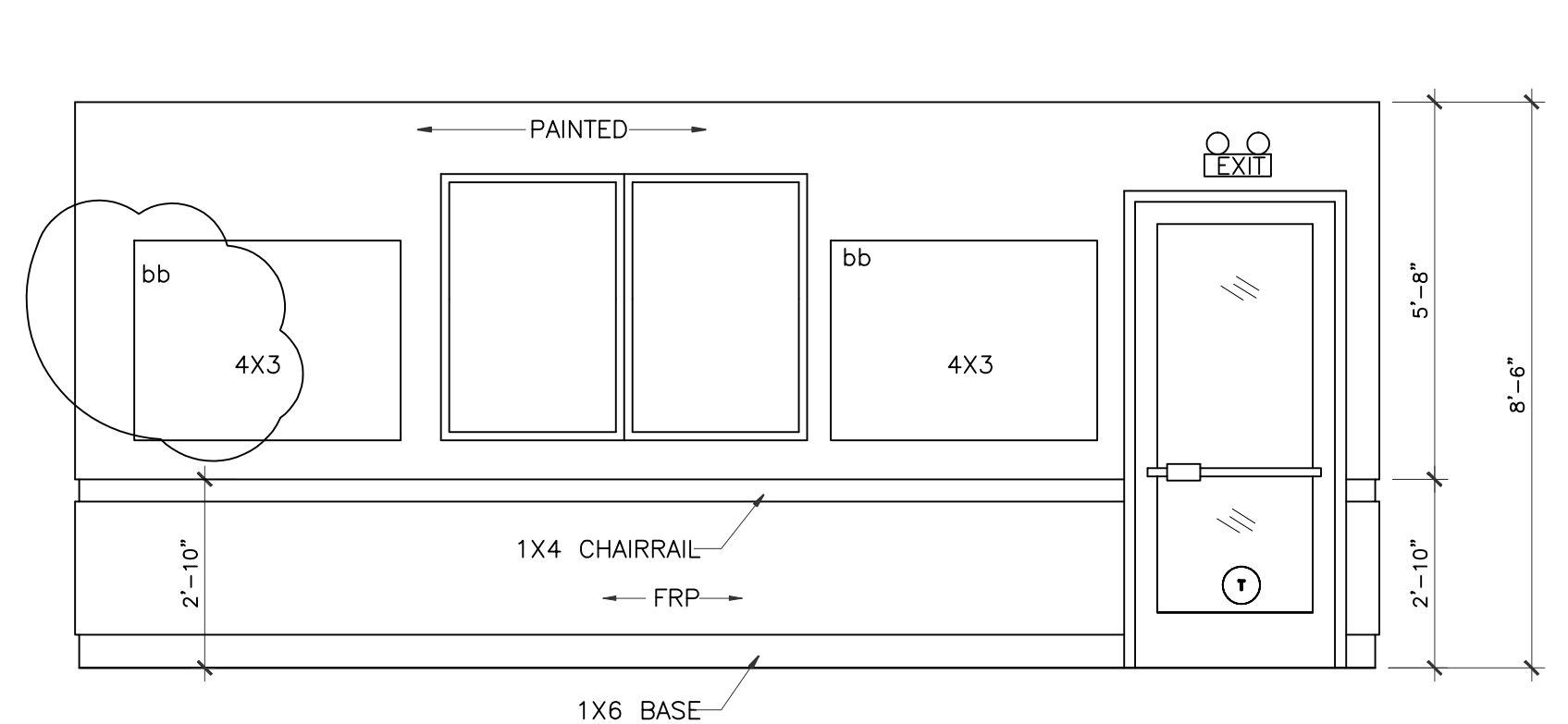
09/17/2018

DRAWING TITLE
INTERIOR ELEVATIONS

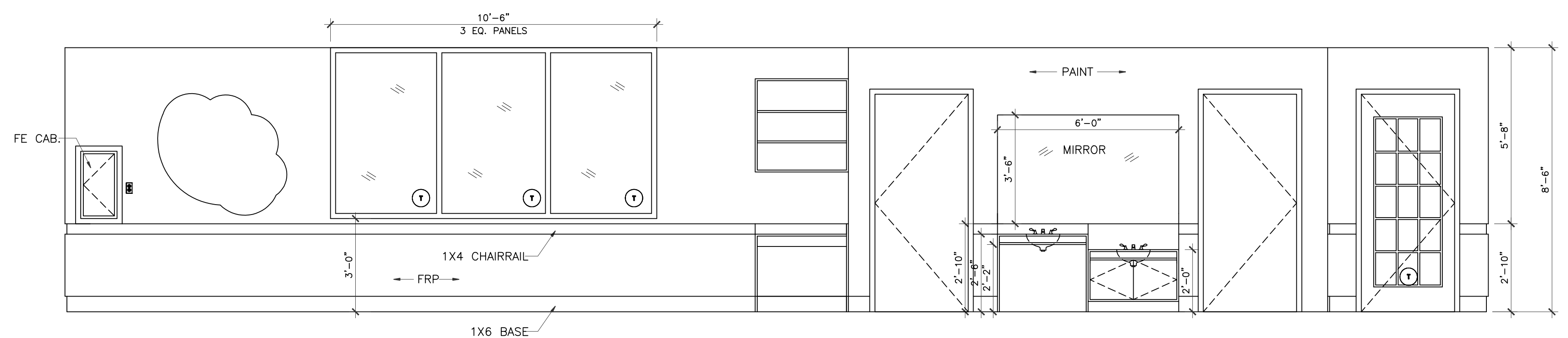
DRAWN BY: JC
CHECKED BY: JC

DATE: 09/20/2018
JOB NO.: manvel

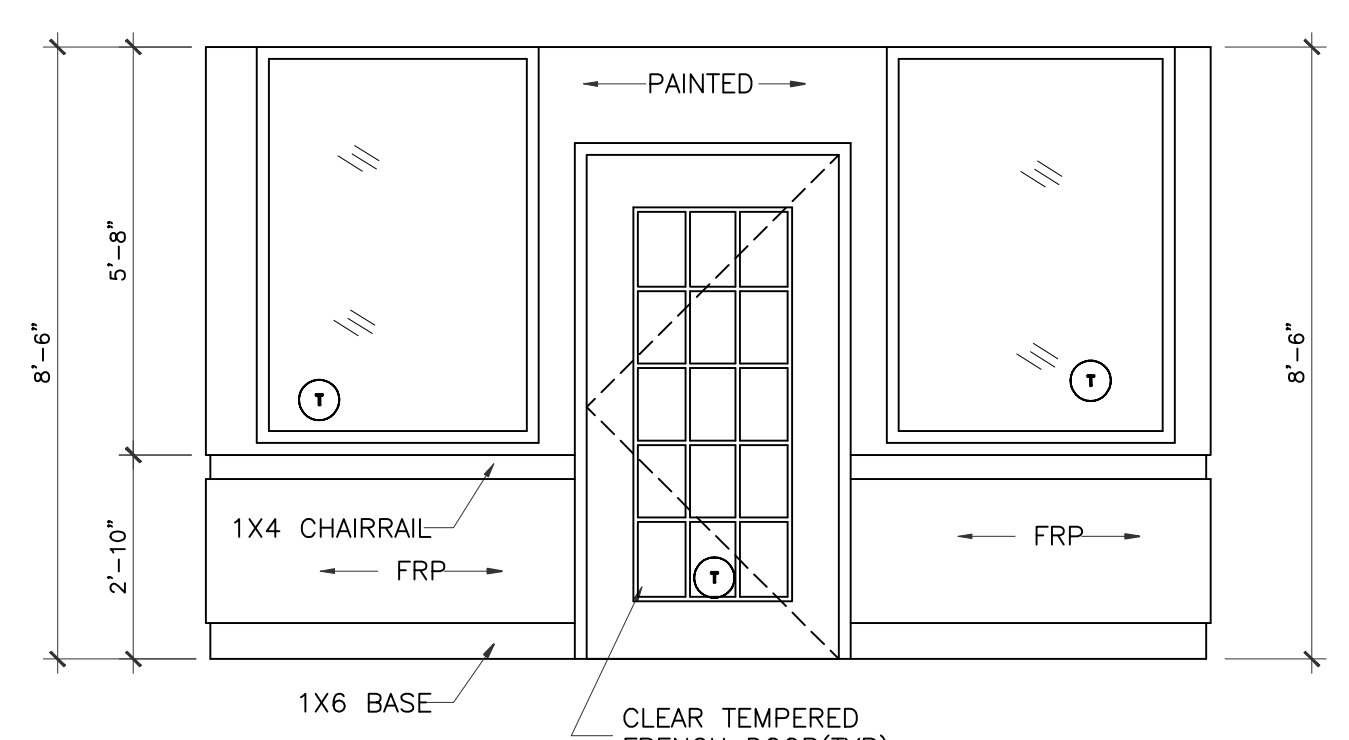
DRAWING NO.: **A-6.2**



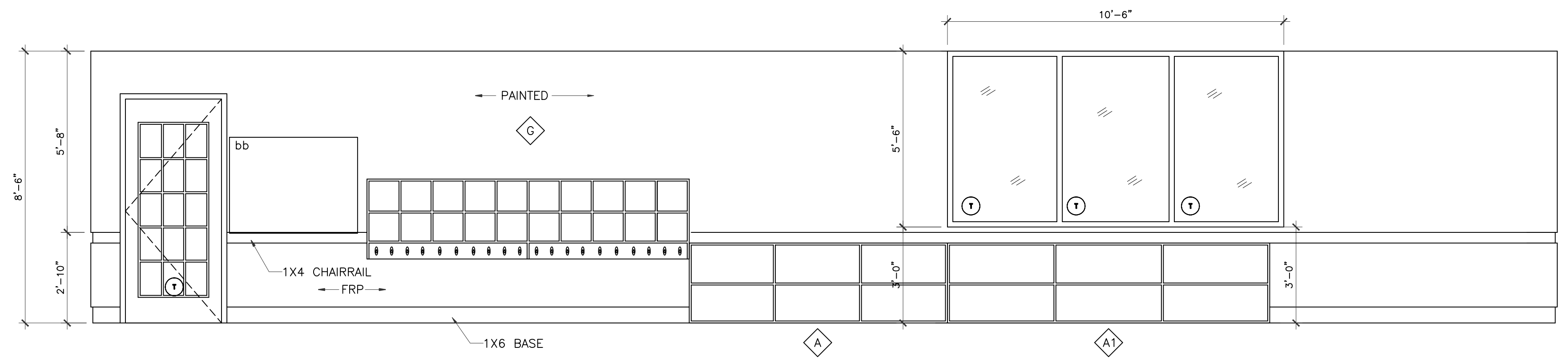
1 CLASSROOM ELEVATION CLASSROOM #300
CLASSROOM #350
3/8" = 1'-0"



2 CLASSROOM #350 ELEVATION
3/8" = 1'-0"

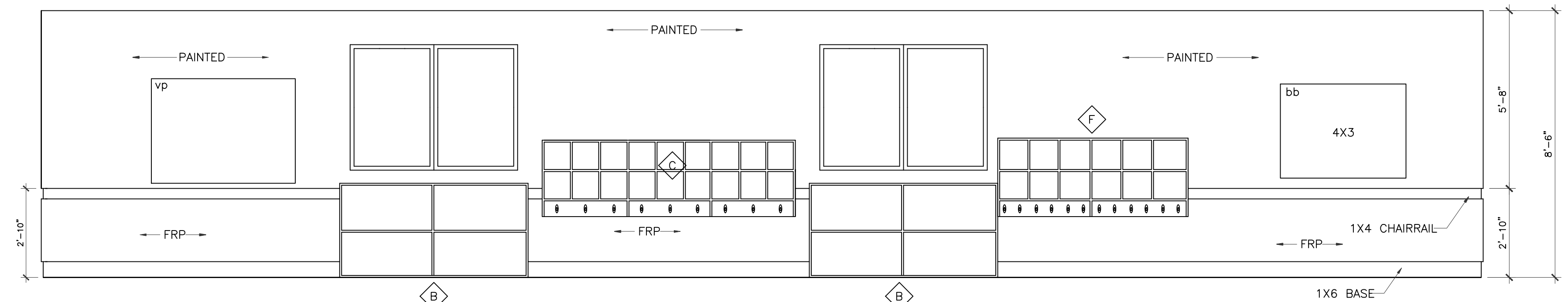


3 CLASSROOM ELEVATION CLASSROOM #300
CLASSROOM #350
3/8" = 1'-0"

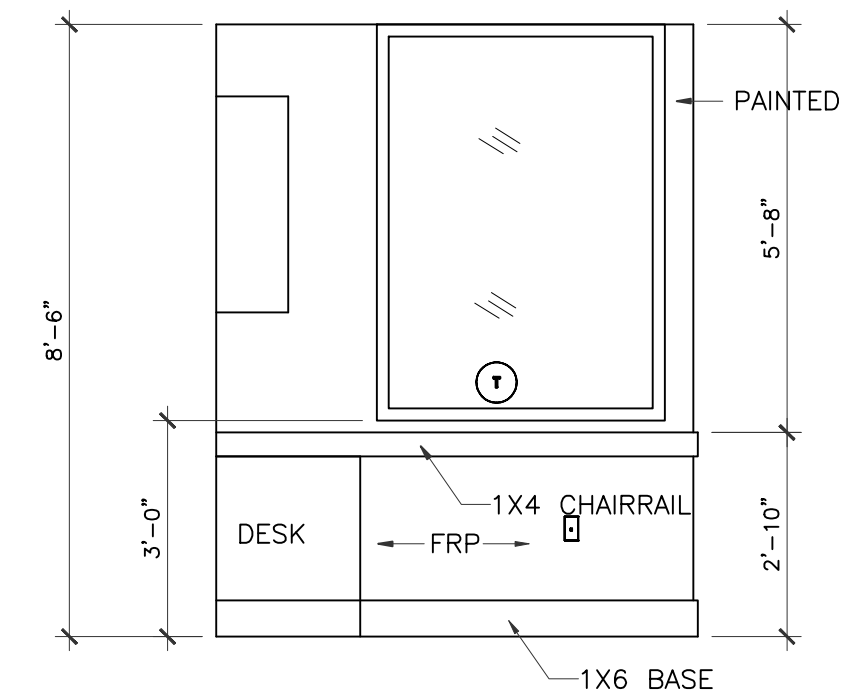


4 CLASSROOM ELEVATION CLASSROOM #300
3/8" = 1'-0"

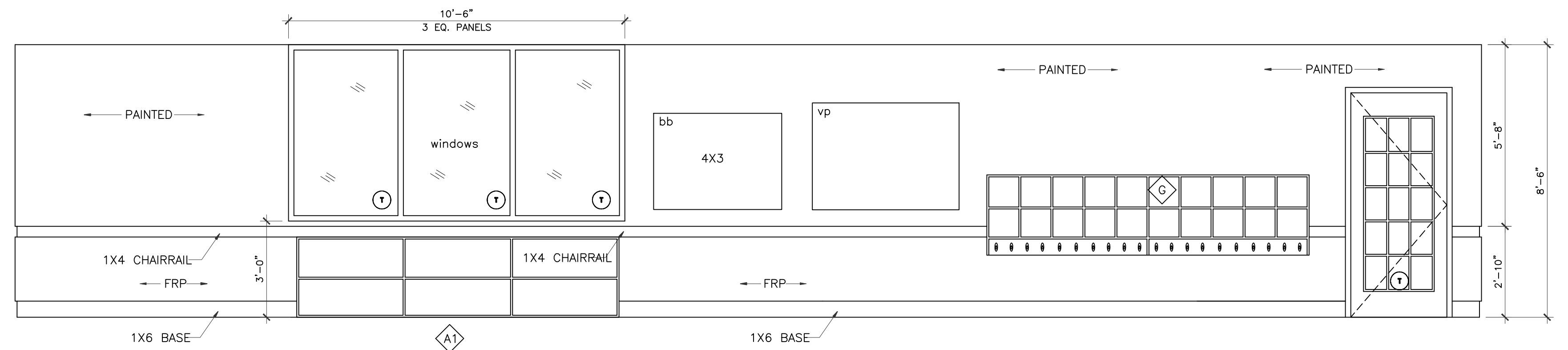
A COBBY HOLE RECEIVES A HOOK, TYP.



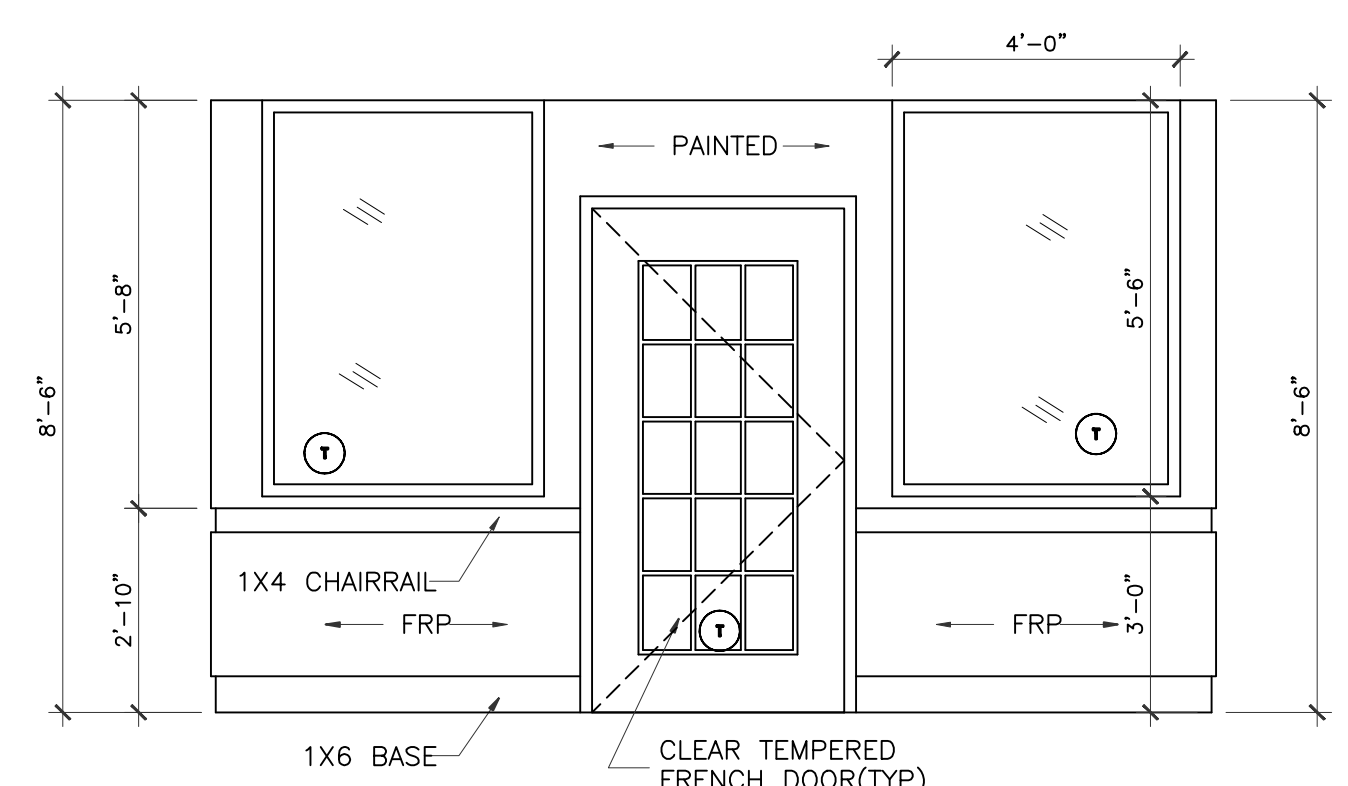
5 CLASSROOM #350 ELEVATION
3/8" = 1'-0"



6 CLASSROOM ELEVATION CLASSROOM #300
3/8" = 1'-0"



7 CLASSROOM ELEVATION CLASSROOM #450
CLASSROOM #500
3/8" = 1'-0"



8 CLASSROOM ELEVATION CLASSROOM #450
CLASSROOM #500
CLASSROOM #550
3/8" = 1'-0"