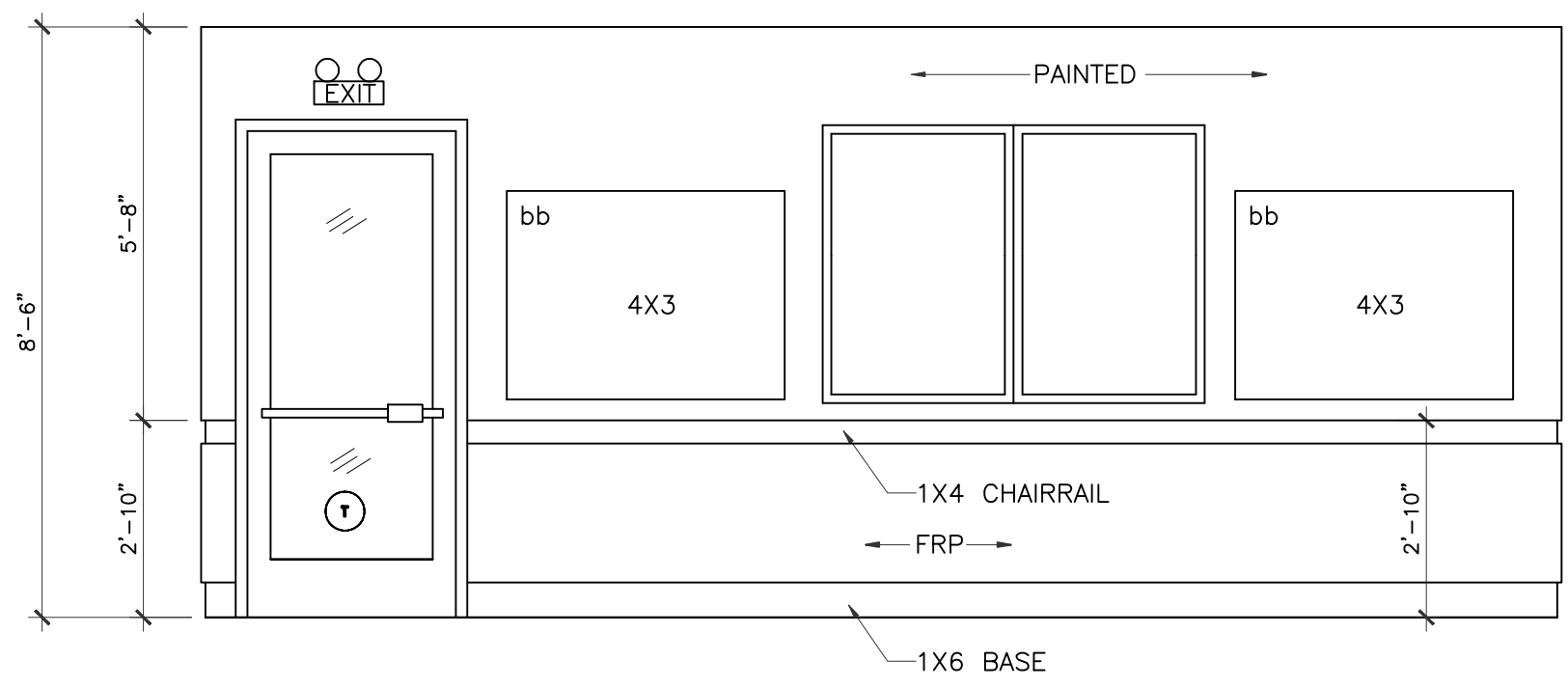
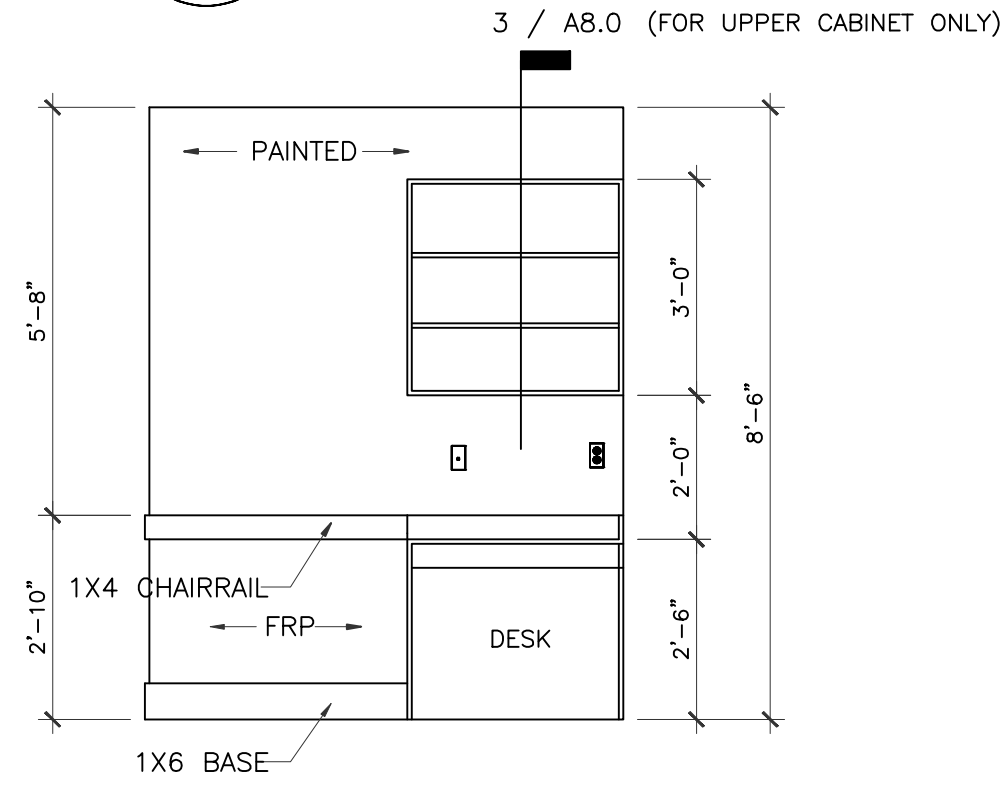


REVISIONS AND ISSUANCE		
NO.	DATE	DESCRIPTION
1	08/13/2017	PRICING
2	09/20/2018 10/25/2018	PERMIT FRANCHISE REV.



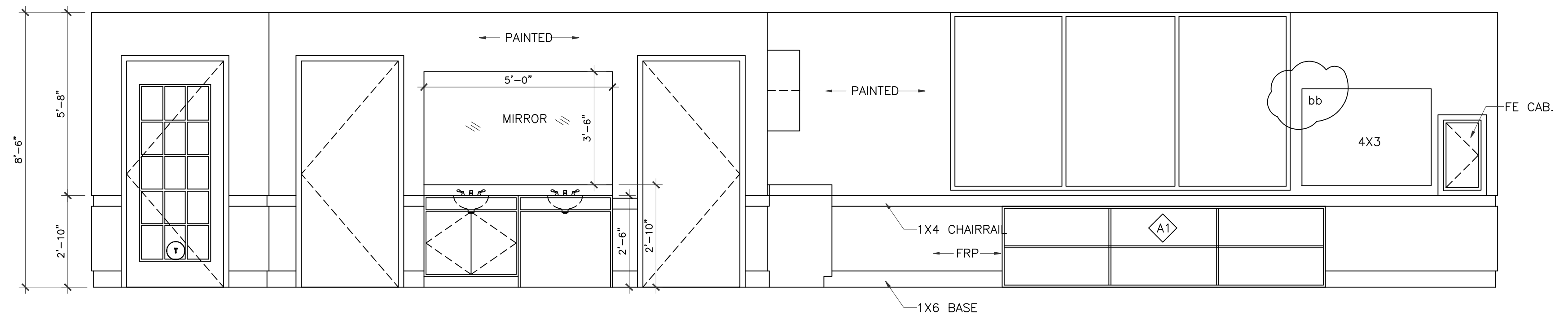
**1 CLASSROOM ELEVATION**  
3/8" = 1'-0" 400,450.500

**LEGEND**  
bb Bulletin Board

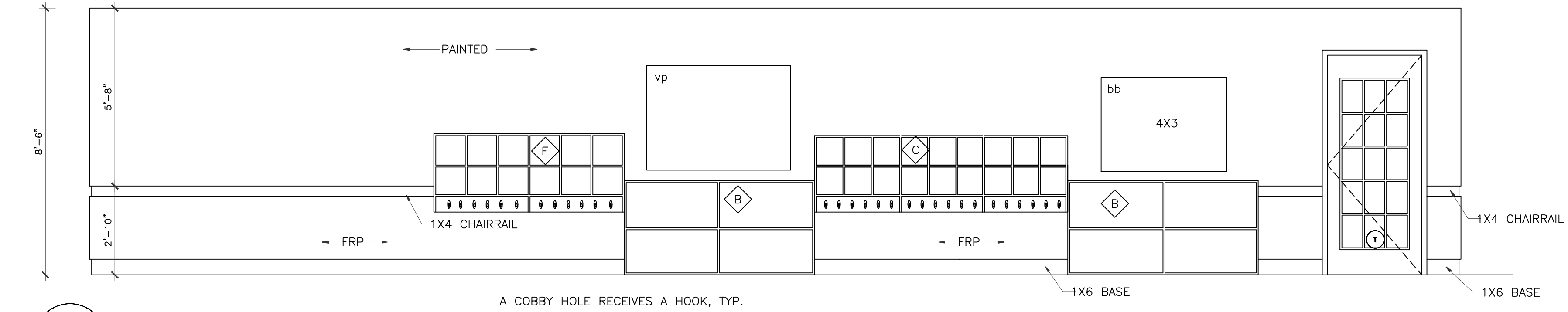


**3 CLASSROOM ELEVATION**  
3/8" = 1'-0"

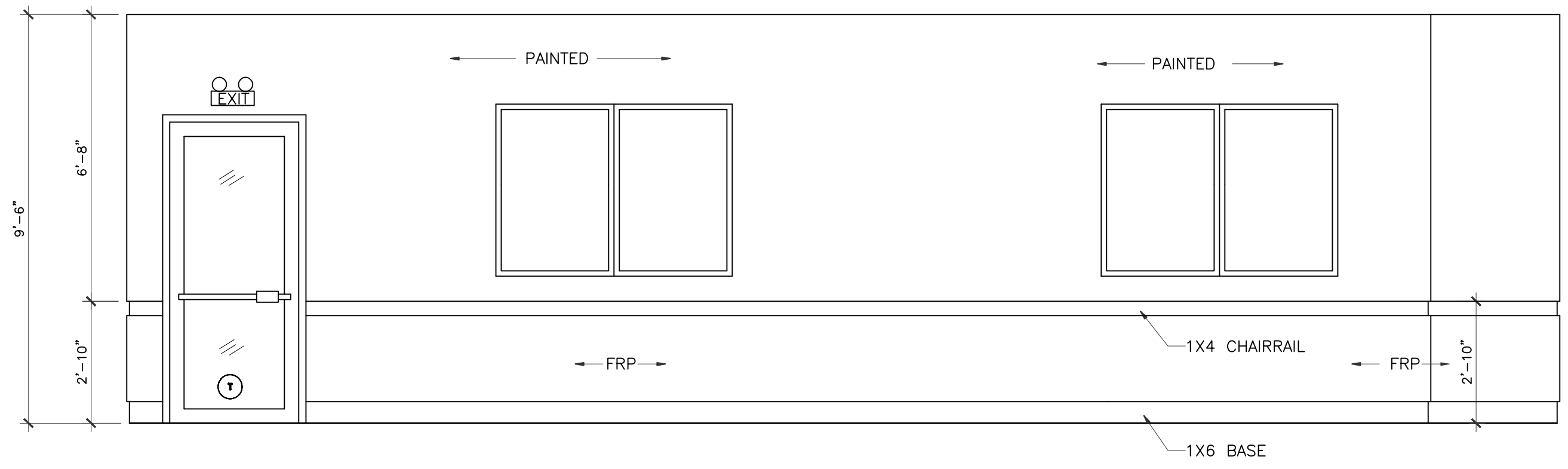
**3.5**  
DESK  
33'-4"



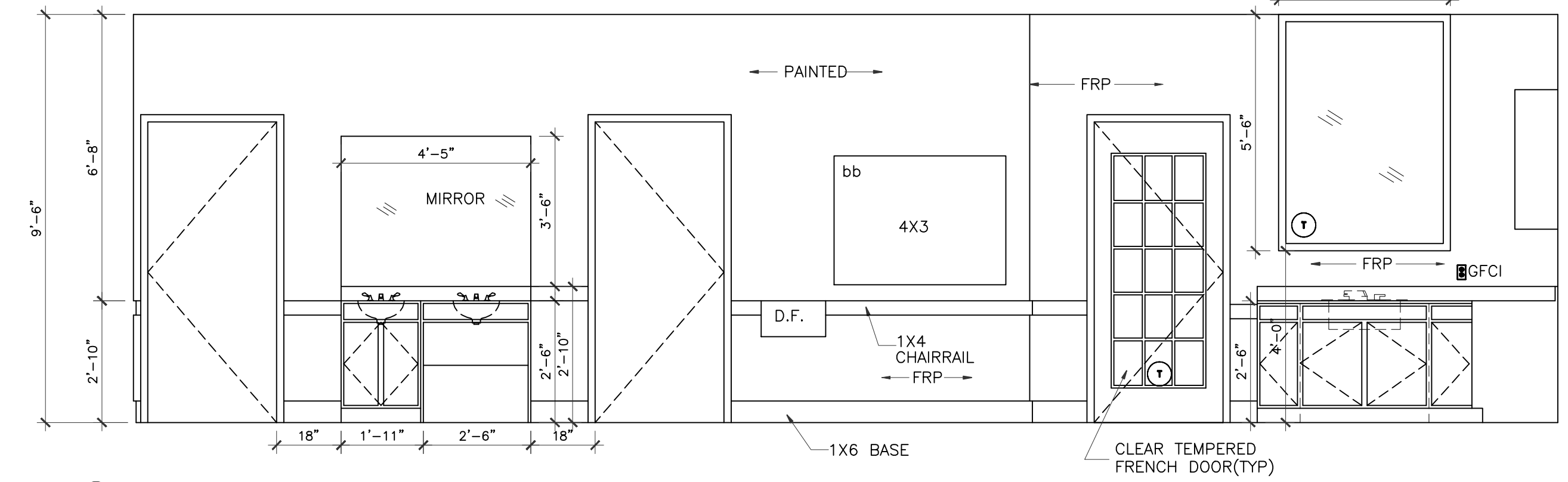
**2 CLASSROOM ELEVATION**  
3/8" = 1'-0" 400,450.500



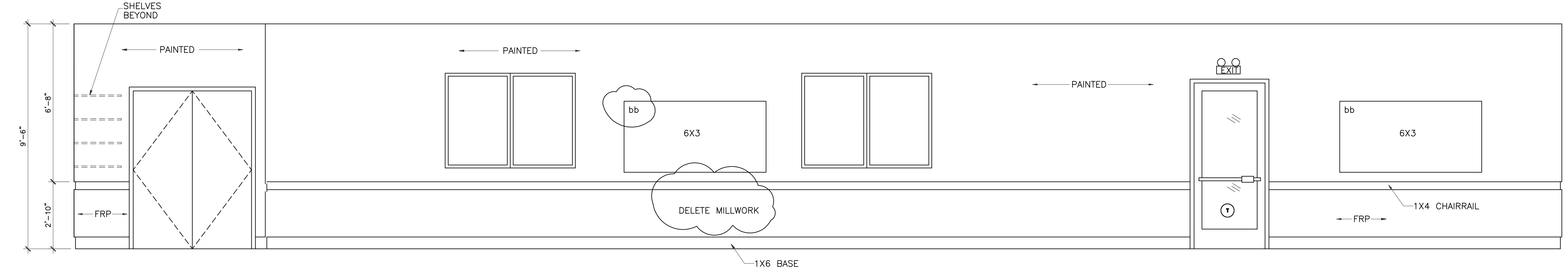
**4 CLASSROOM #400 ELEVATION**  
3/8" = 1'-0"



**5 ACTIVITY ROOM ELEVATION**  
3/8" = 1'-0"



**6 ACTIVITY ROOM ELEVATION**  
3/8" = 1'-0"



**7 ACTIVITY ROOM ELEVATION**  
3/8" = 1'-0"

**IVY KIDS EARLY LEARNING CENTER**  
4434 CR 94  
Manvel, Tx 77578



09/17/2018

DRAWING TITLE

**INTERIOR ELEVATIONS**

DRAWN BY CHECKED BY

DATE JOB NO.

09/20/2018 manvel

DRAWING NO.

**A-6.3**