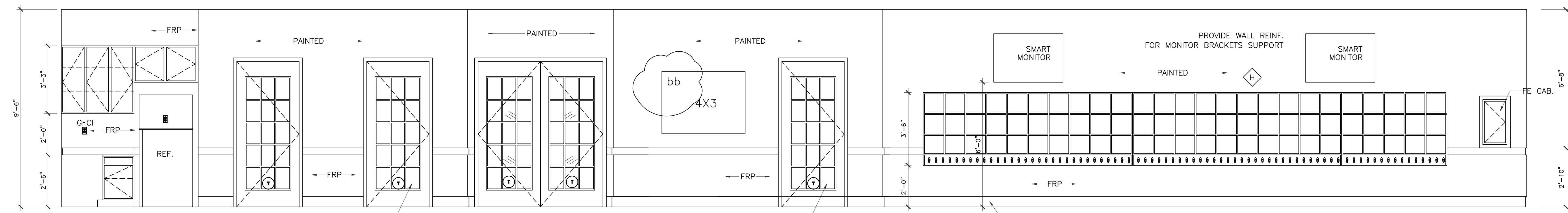
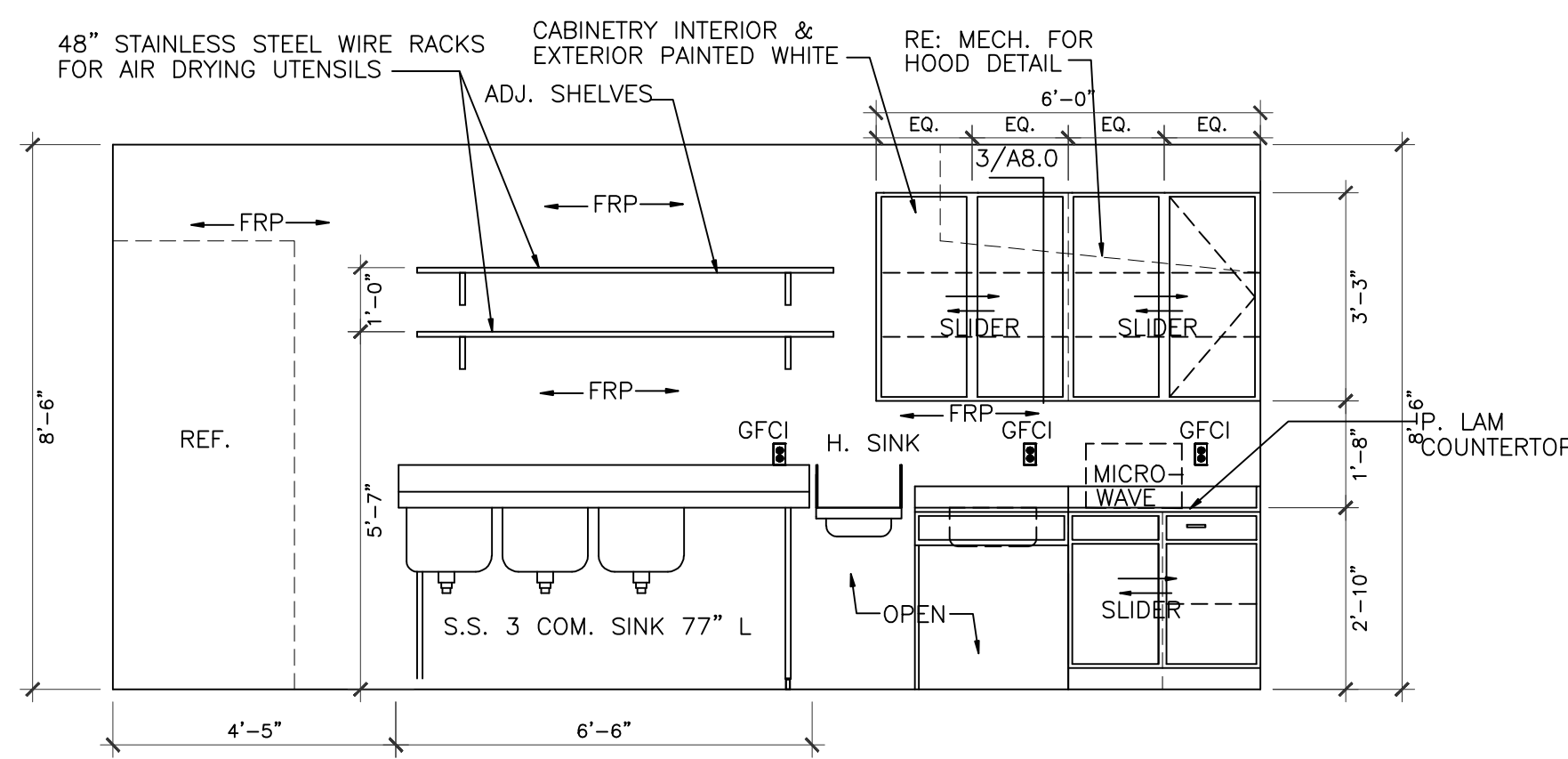


REVISIONS AND ISSUANCE		
NO.	DATE	DESCRIPTION
1	08/13/2017	PRICING
2	09/20/2018	PERMIT
	10/25/2018	FRANCHISE REV.

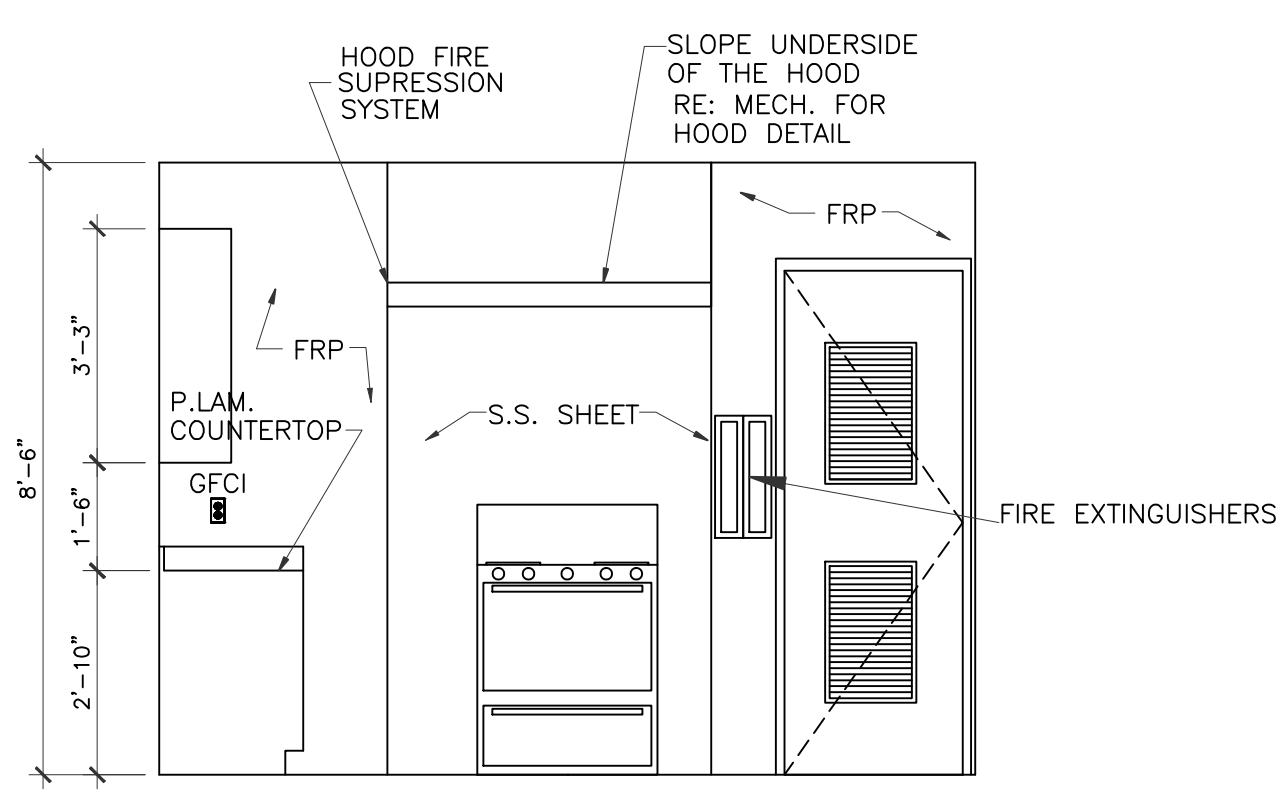
MY KIDS EARLY LEARNING CENTER
4434 CR 94
Manvel, Tx 77578



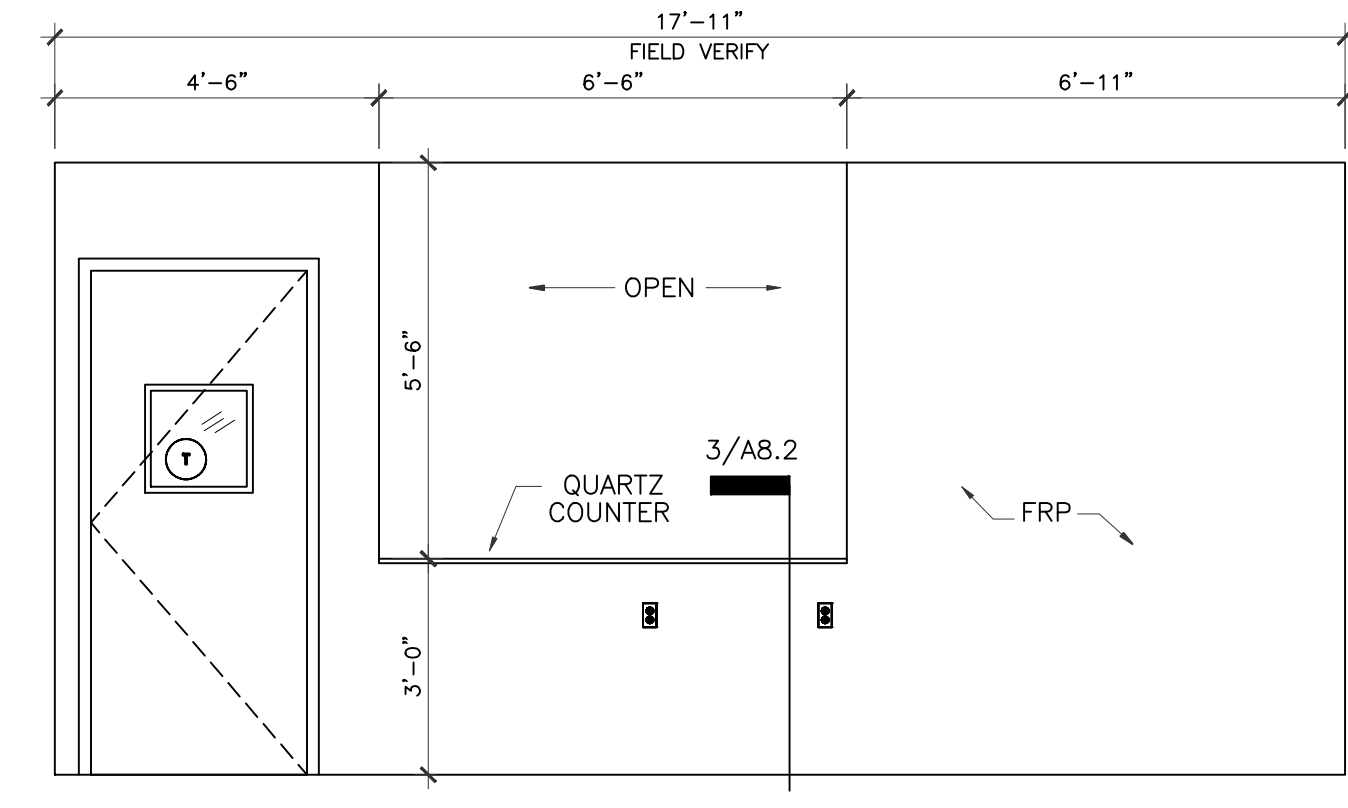
1 KITCHEN ELEVATION
3/8" = 1'-0"



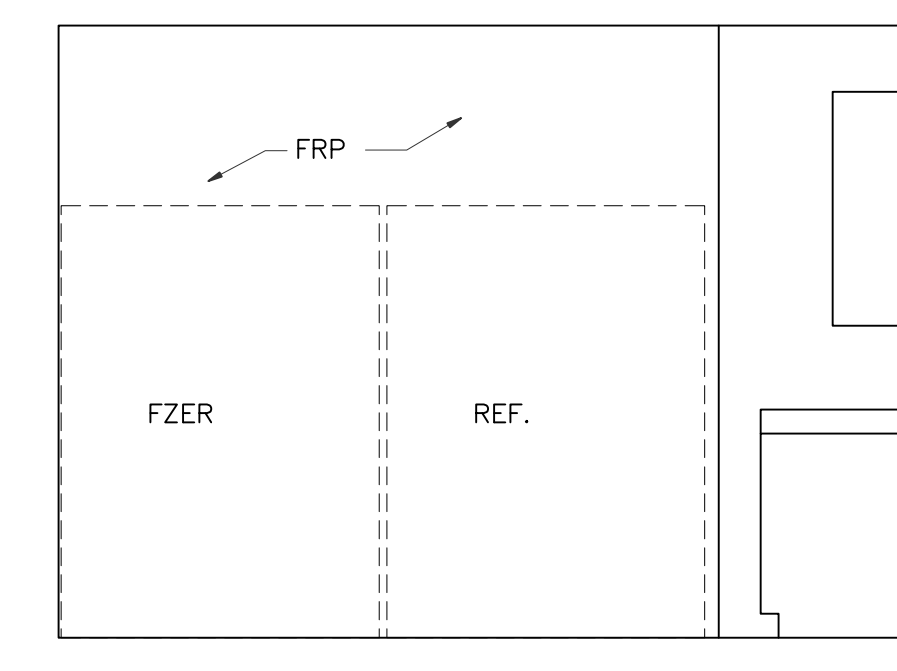
2 KITCHEN ELEVATION
3/8" = 1'-0"



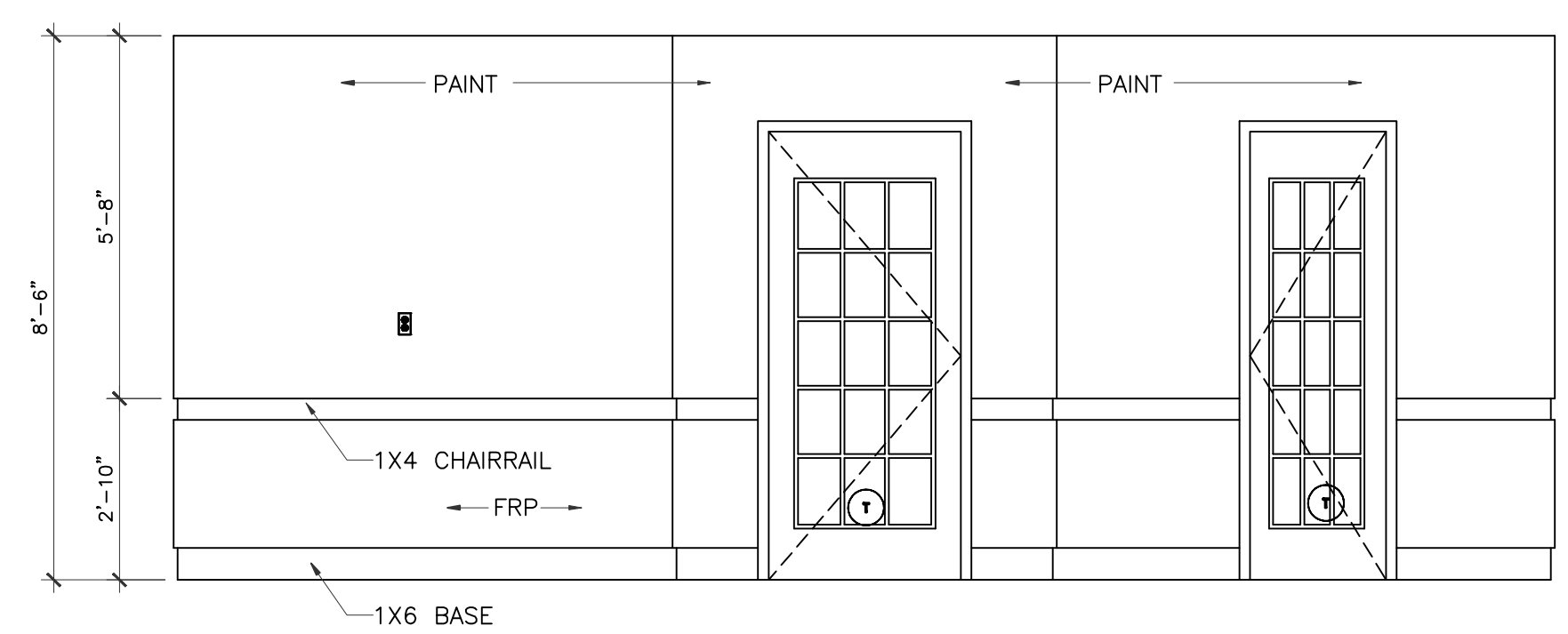
3 KITCHEN ELEVATION
3/8" = 1'-0"



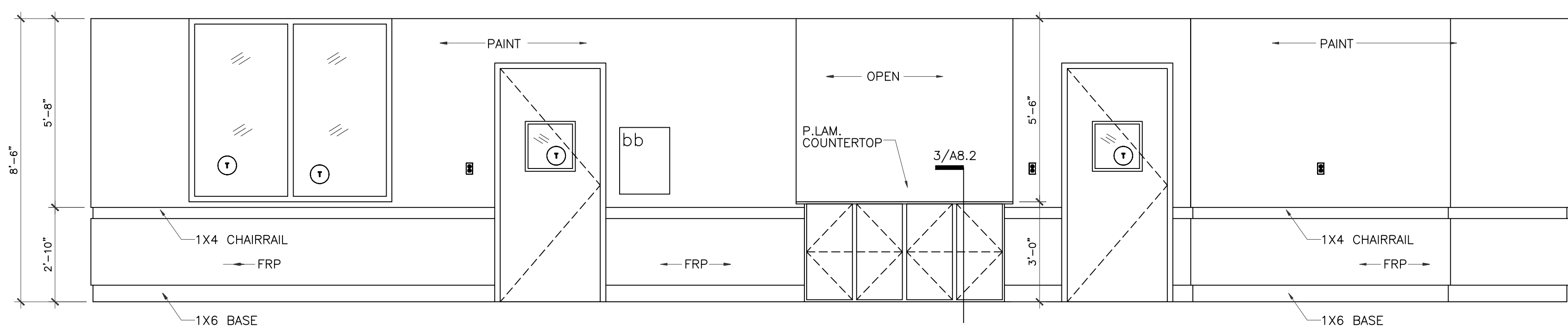
4 KITCHEN ELEVATION
3/8" = 1'-0"



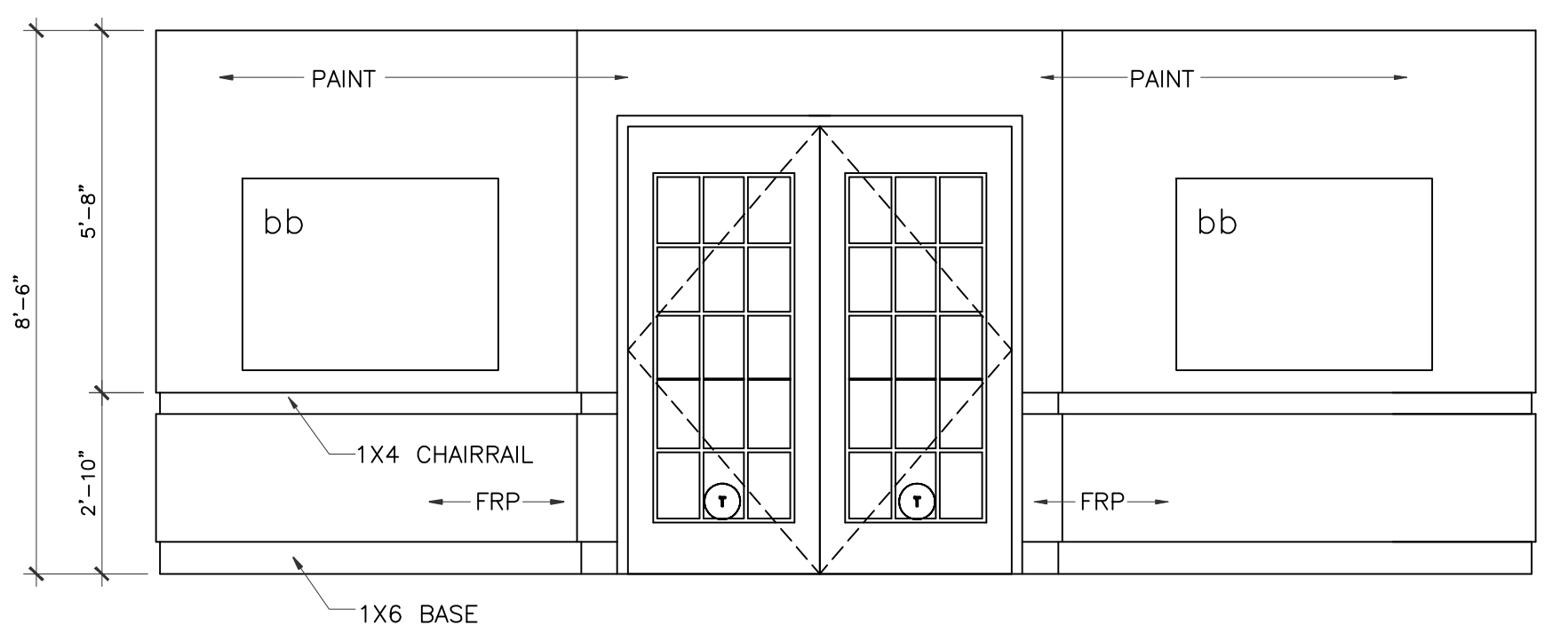
5 KITCHEN ELEVATION
3/8" = 1'-0"



6 LUNCH ROOM ELEVATION
3/8" = 1'-0"

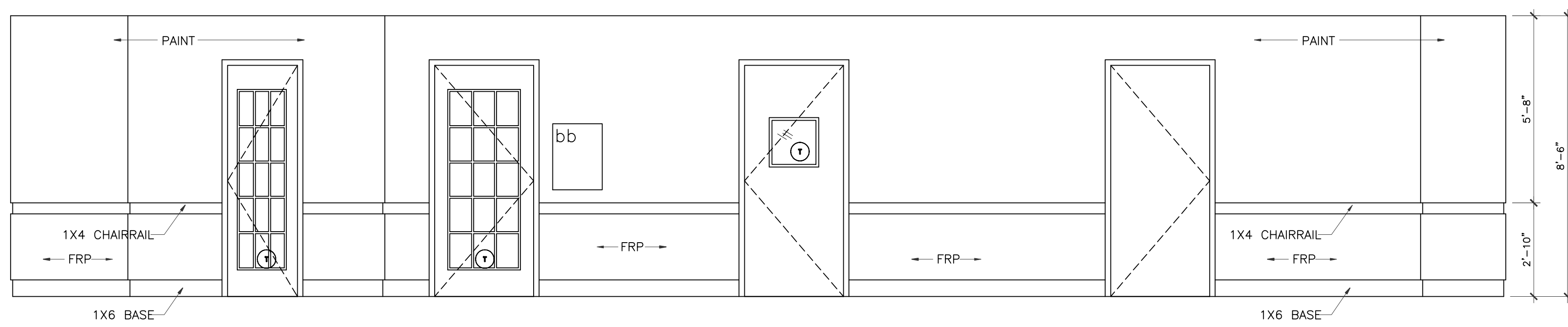


7 LUNCH ROOM ELEVATION
3/8" = 1'-0"



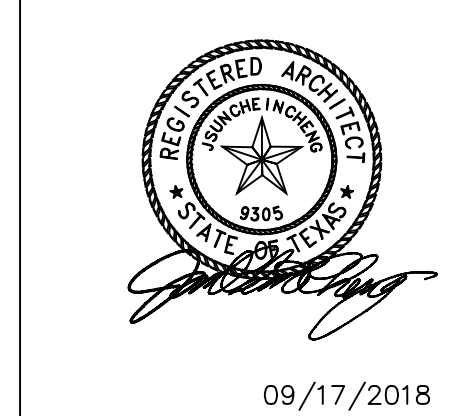
8 LUNCH ROOM ELEVATION
3/8" = 1'-0"

LENGEND
bb Bulletin Board



9 LUNCH ROOM ELEVATION
3/8" = 1'-0"

• PROVIDE 2,250 TOTAL L/F OF STAIN GRADE CHAIR RAIL & BASE THROUGHOUT INSTEAD OF PAINT GRADE



DRAWING TITLE	
INTERIOR ELEVATIONS	
DRAWN BY	CHECKED BY
DATE	JOB NO.
DRAWING NO.	

A-6.4