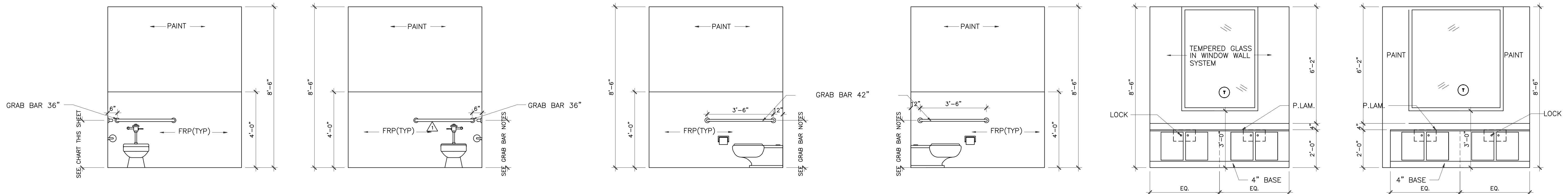


REVISIONS AND ISSUANCE		
NO.	DATE	DESCRIPTION
1	08/13/2017	PRICING
2	09/20/2018 10/25/2018	PERMIT FRANCHISE REV.



1 GIRLS' RESTROOM ELEVATION 3/8" = 1'-0"
 CLASSROOM #300 CLASSROOM #450
 CLASSROOM #350 CLASSROOM #500
 CLASSROOM #400 CLASSROOM #550

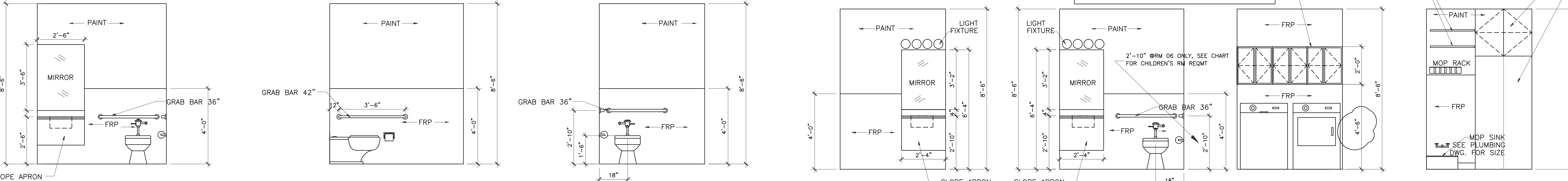
2 BOYS' RESTROOM ELEVATION 3/8" = 1'-0"
 CLASSROOM #300 CLASSROOM #450
 CLASSROOM #350 CLASSROOM #500
 CLASSROOM #400 CLASSROOM #550

3 GIRLS' RESTROOM ELEVATION 3/8" = 1'-0"
 CLASSROOM #300 CLASSROOM #450
 CLASSROOM #350 CLASSROOM #500
 CLASSROOM #400 CLASSROOM #550

4 BOYS' RESTROOM ELEVATION 3/8" = 1'-0"
 CLASSROOM #300 CLASSROOM #450
 CLASSROOM #350 CLASSROOM #500
 CLASSROOM #400 CLASSROOM #550

5a RESTROOM ELEVATION 3/8" = 1'-0"
 CLASSROOM #250

5b RESTROOM ELEVATION 3/8" = 1'-0"
 CLASSROOM #200



6 RESTROOM ELEVATION @ ACTIVITY 3/8" = 1'-0"

7 RESTROOM ELEVATION @ ACTIVITY 3/8" = 1'-0"

8 RESTROOM ELEVATION @ LUNCH 3/8" = 1'-0"

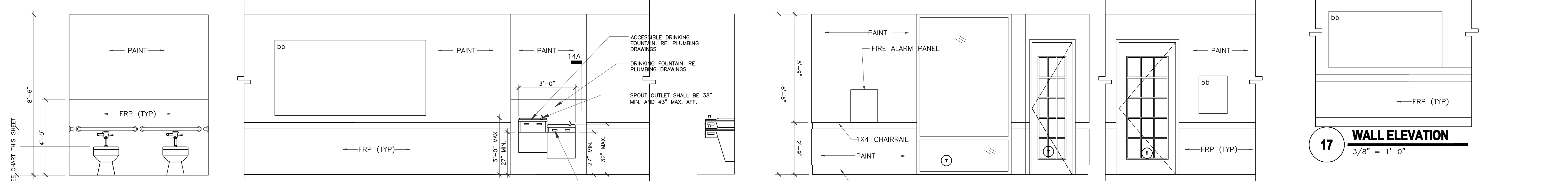
9 RESTROOM ELEVATION @ LUNCH 3/8" = 1'-0"

10 RESTROOM ELEVATION 3/8" = 1'-0"

11 UTILITY ELEVATION 3/8" = 1'-0"

12 UTILITY ELEVATION 3/8" = 1'-0"

LEGEND
 bb Bulletin Board



13 RESTROOM ELEVATION 3/8" = 1'-0"
 CLASSROOM #200
 CLASSROOM #250

14 DRINKING FOUNTAIN 3/8" = 1'-0"

14A

15 FIRE ALARM WALL 3/8" = 1'-0"

16 WALL ELEVATION 3/8" = 1'-0"

17 WALL ELEVATION 3/8" = 1'-0"

NOTES:
 1. FRP WILL BE IN ALL RESTROOMS AT 48" HIGH WITH PAINTED GYP. BD. ABOVE
 2. WATER CLOSET HEIGHT IN CLASSROOM #500, AND ACTIVITY ROOM IS 15" PER ADA REQUIREMENTS.
 3. WATER CLOSET HEIGHT IN LUNCH ROOM IS 18" PER ADA REQUIREMENTS.
 4. WATER CLOSET HEIGHT IN CLASSROOM #200 #250,#300,#350,#400,#450 IS 12" PER ADA REQUIREMENTS.

GRAB BAR NOTES
 1. GRAB BAR HEIGHTS FOR TOILETS IN ROOMS 300-450 ARE AT 18"-20" A.F.F.
 2. GRAB BAR HEIGHTS FOR TOILETS IN ROOMS 500-550 AND ACTIVITY ROOM ARE AT 20"-25" A.F.F.

WATER CLOSET / LAV / GRAB BAR MOUNTING HT CHART				
ROOM	WC seat HEIGHT	LAV HEIGHT	WC CL. TO SIDE WALL	GRAB BAR HEIGHT
200-250	10"	24"	12"	18"-20"
300-350	11"	24"/30"	12"	18"-20"
400-450	12"	30"	14"	20"-25"
500-600	15"	30"	14"	20"-25"
ADULT	17"	34"	18"	34"

IVY KIDS EARLY LEARNING CENTER
 4434 CR 94
 Manvel, Tx 77578



09/17/2018
 DRAWING TITLE
INTERIOR ELEVATIONS
 DRAWN BY
 CHECKED BY
 JC
 DATE
 09/20/2018
 JOB NO.
 manvel
 DRAWING NO.
A-6.6