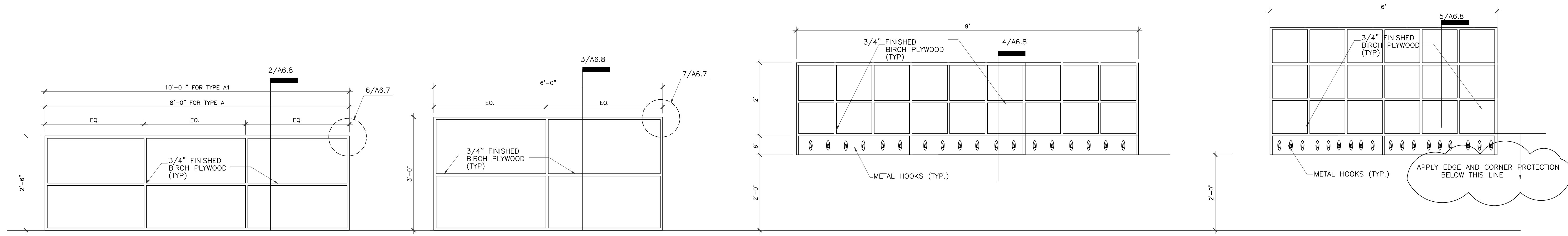


REVISIONS AND ISSUANCE		
NO.	DATE	DESCRIPTION
1	08/13/2017	PRICING
2	09/03/2018	ADDENDUM 3
2	09/20/2018	PERMIT
	10/25/2018	FRANCHISE REV.

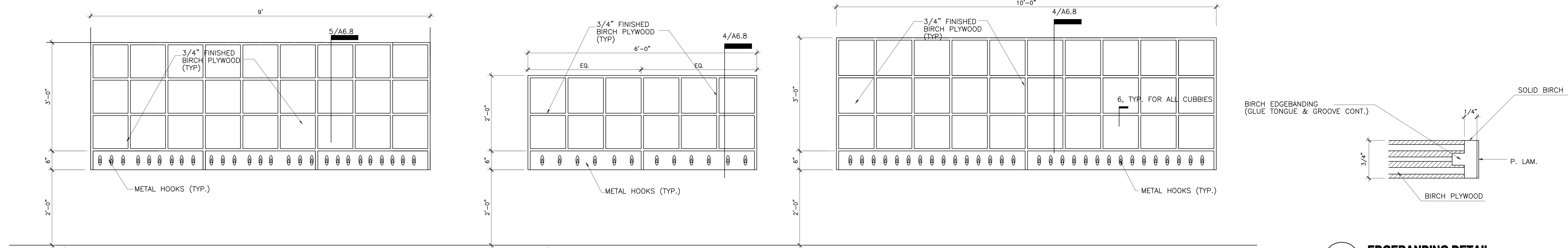


A **A1** **MILWORK-TOYSHELF**

B **MILWORK-TOYSHELF**

C **MILWORK-CUBBIE**

D **MILWORK-CUBBIE**

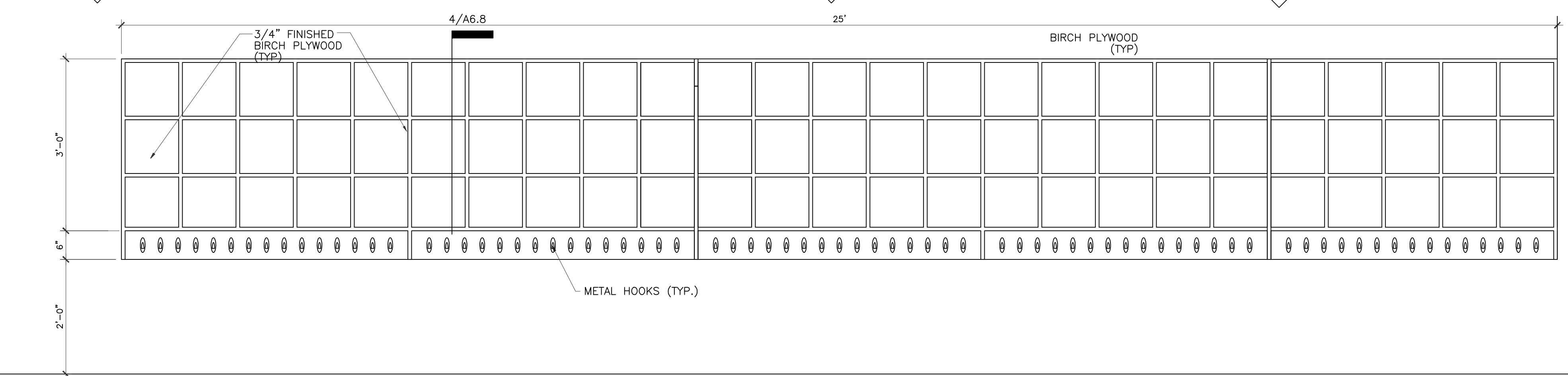


E **MILWORK-CUBBIE**

F **MILWORK-CUBBIE**

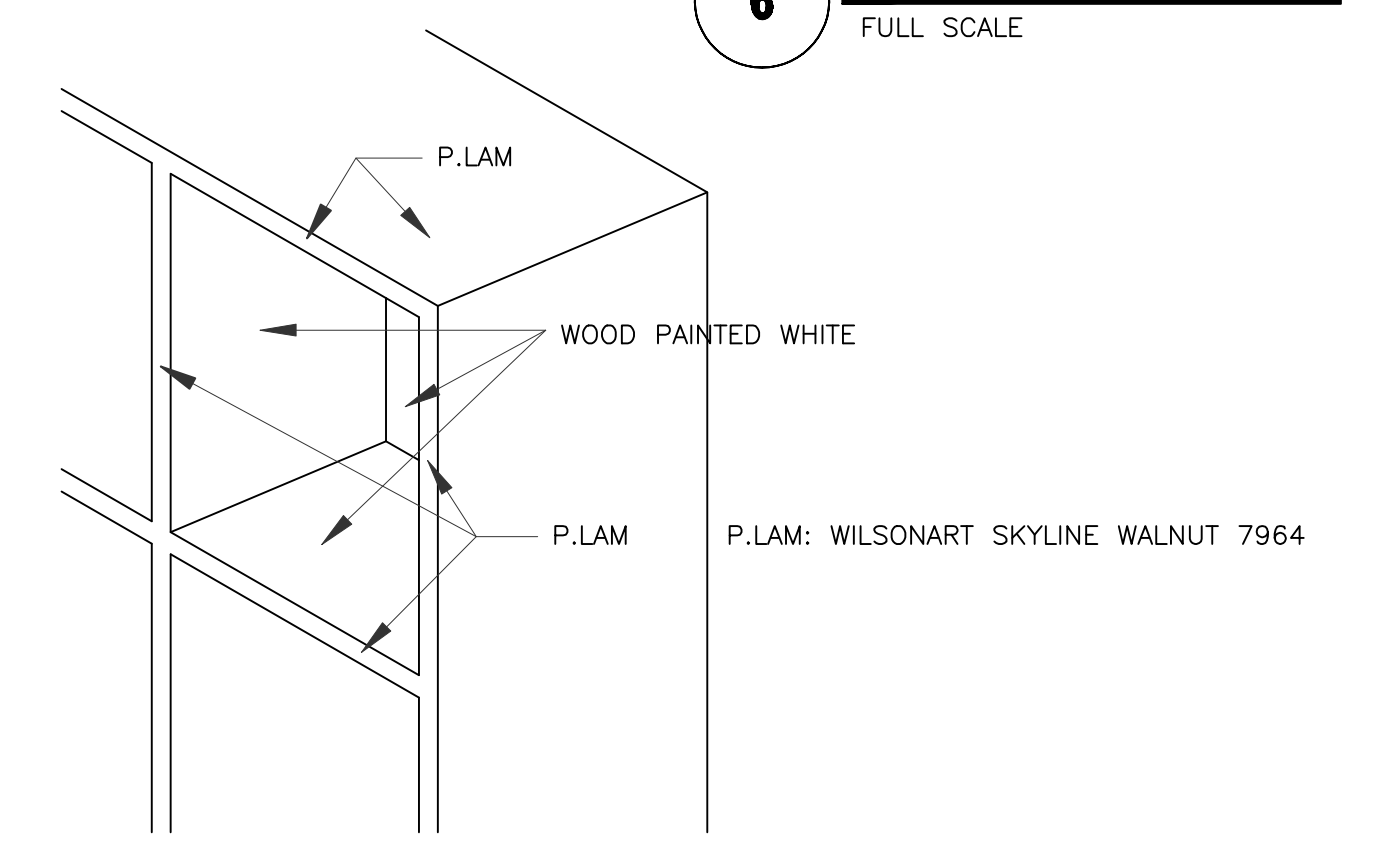
G **MILWORK-CUBBIE**

6 **EDGEBANDING DETAIL**
FULL SCALE



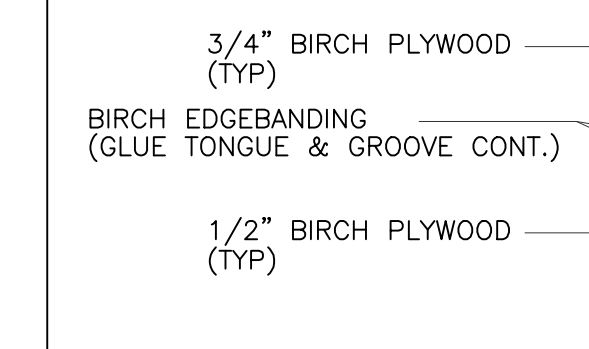
H **MILWORK-CUBBIE**

all interior face of cubbies shall be white

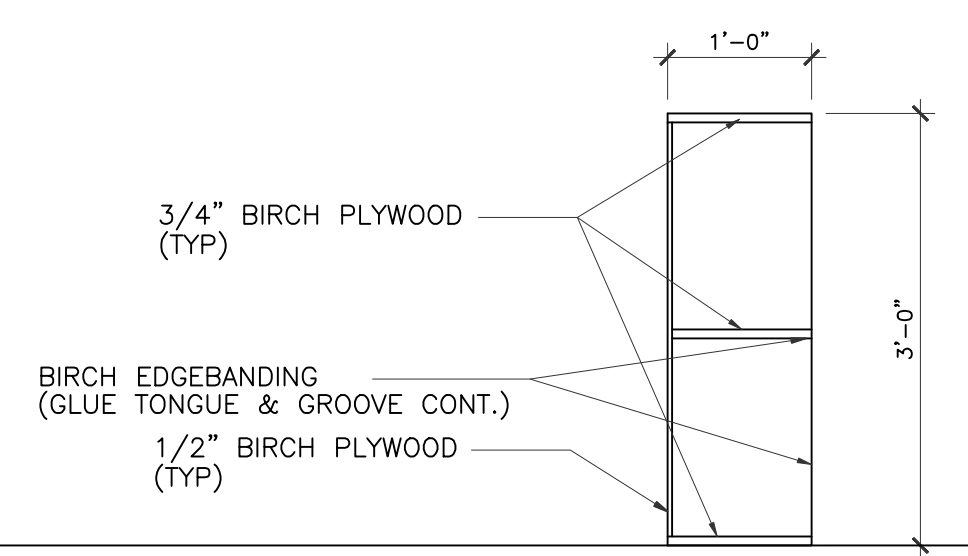


7 **FINISH DETAIL FOR ALL CUBBIES**

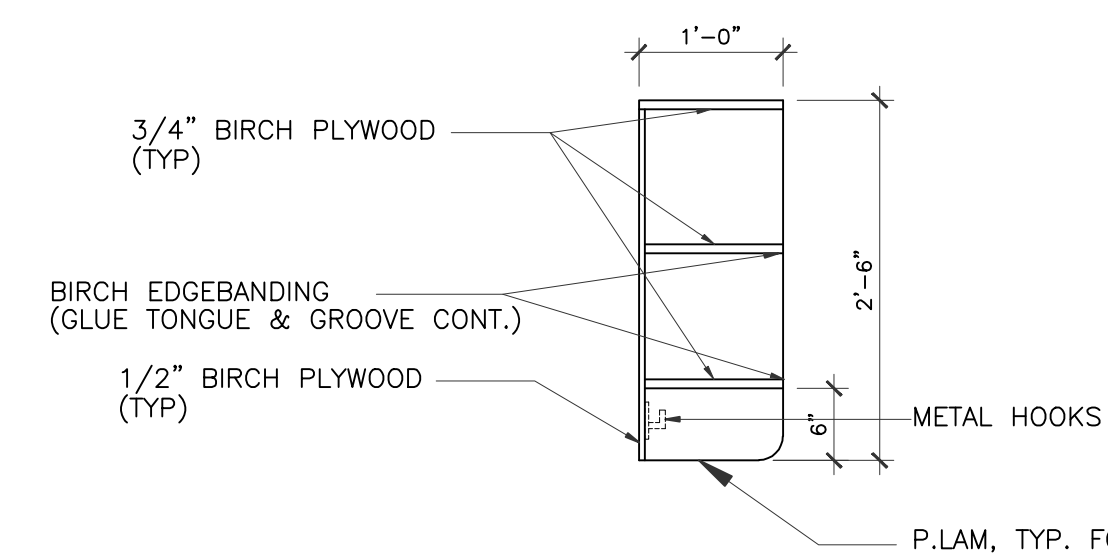
- NOTES:
1. ALL JOINTS SHALL BE RABBETED/ DADOED AND GLUED
 2. ALL FASTENERS SHALL BE CONCEALED
 3. ALL EXPOSED EDGES SHALL BE EDGEBANDED



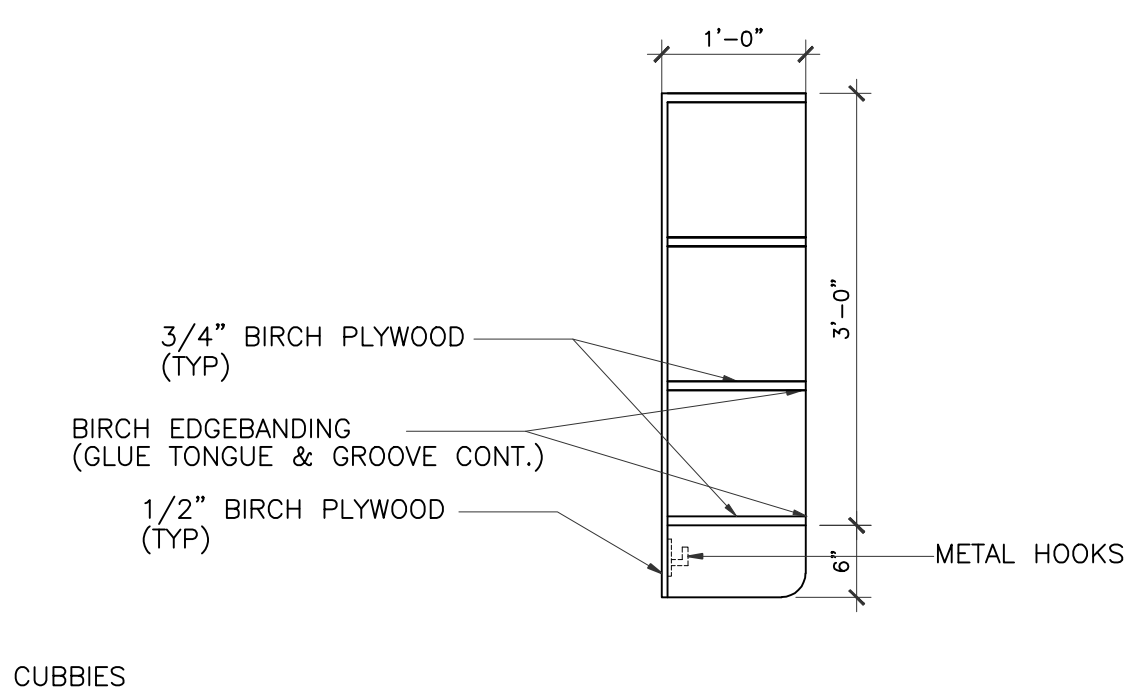
2 **TOY SHELF SECTION**
3/4" = 1'-0"



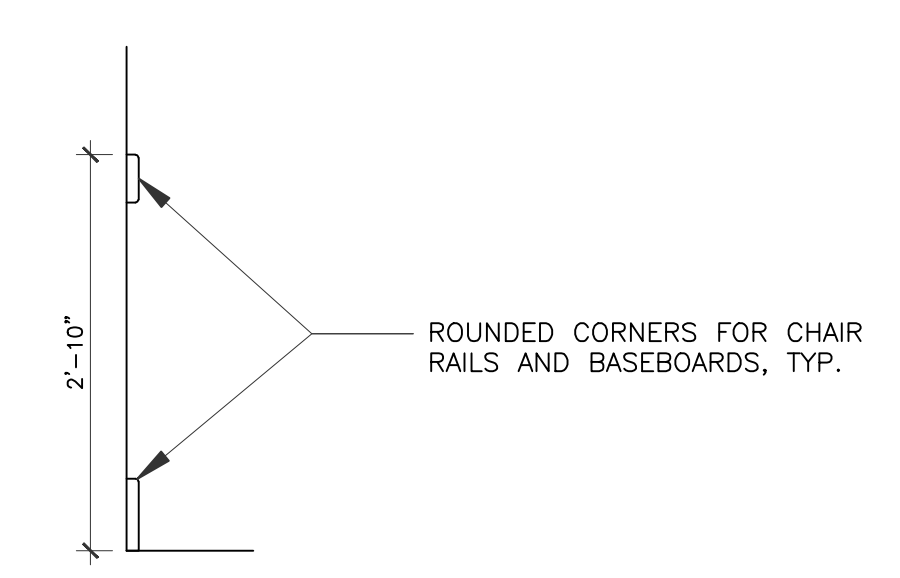
3 **TOY SHELF SECTION**
3/4" = 1'-0"



4 **CUBBIE SECTION**
3/4" = 1'-0"

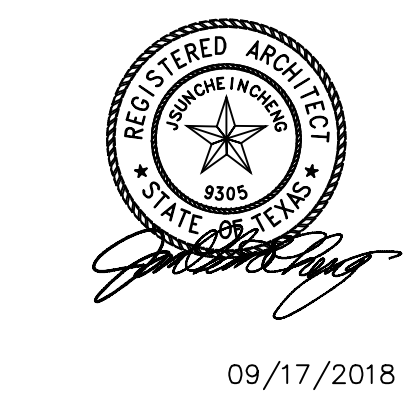


5 **CUBBIE SECTION**
3/4" = 1'-0"



8 **CHAIR RAIL AND BASEBOARD DETAIL**
3/4" = 1'-0"

MY KIDS EARLY LEARNING CENTER
4434 CR 94
Manvel, Tx 77578



DRAWING TITLE	
CUBBIES & TOY SHELVES	
DRAWN BY	CHECKED BY
DATE	JOB NO.
DRAWING NO.	

A-6.8