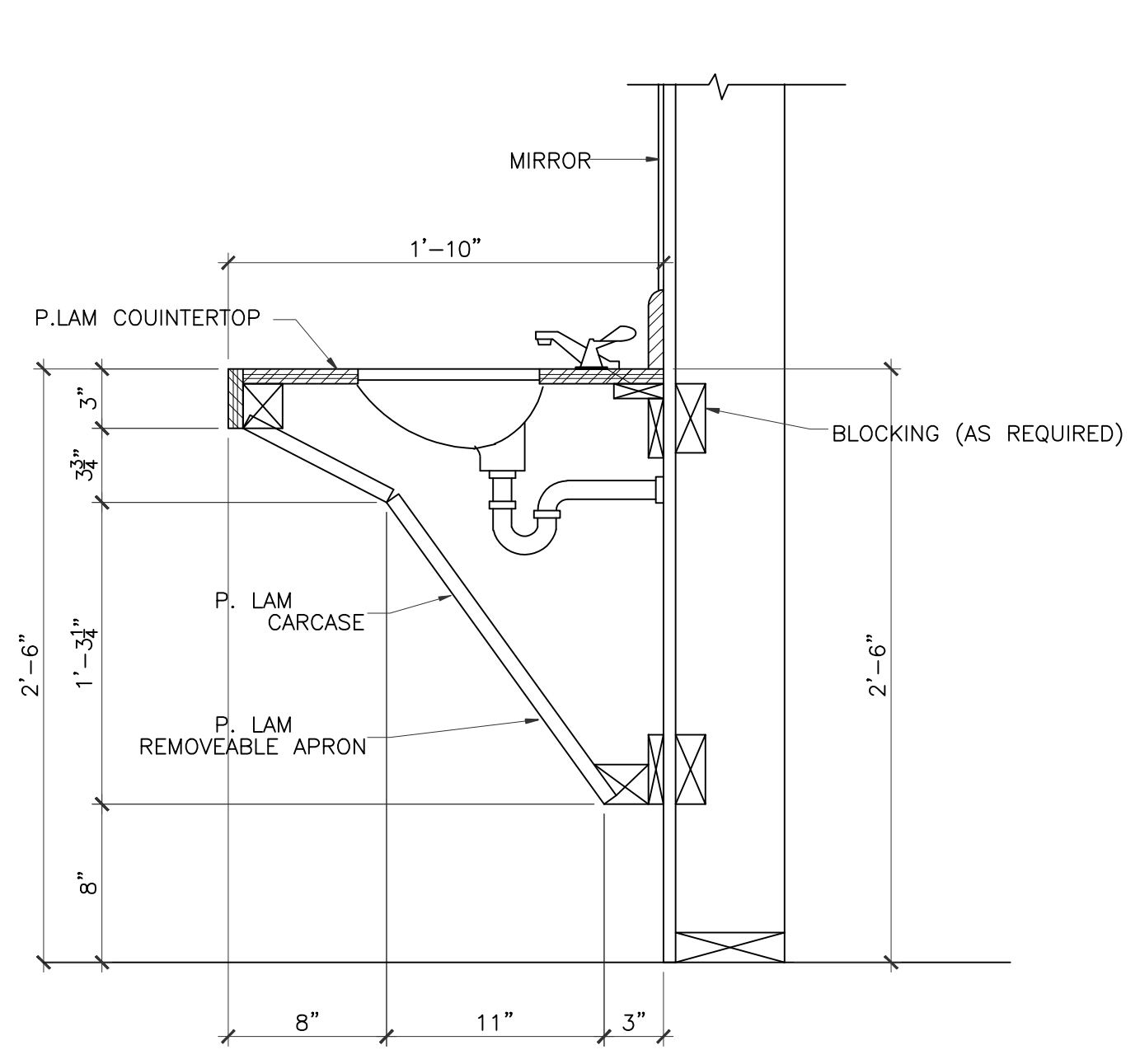


REVISIONS AND ISSUANCE

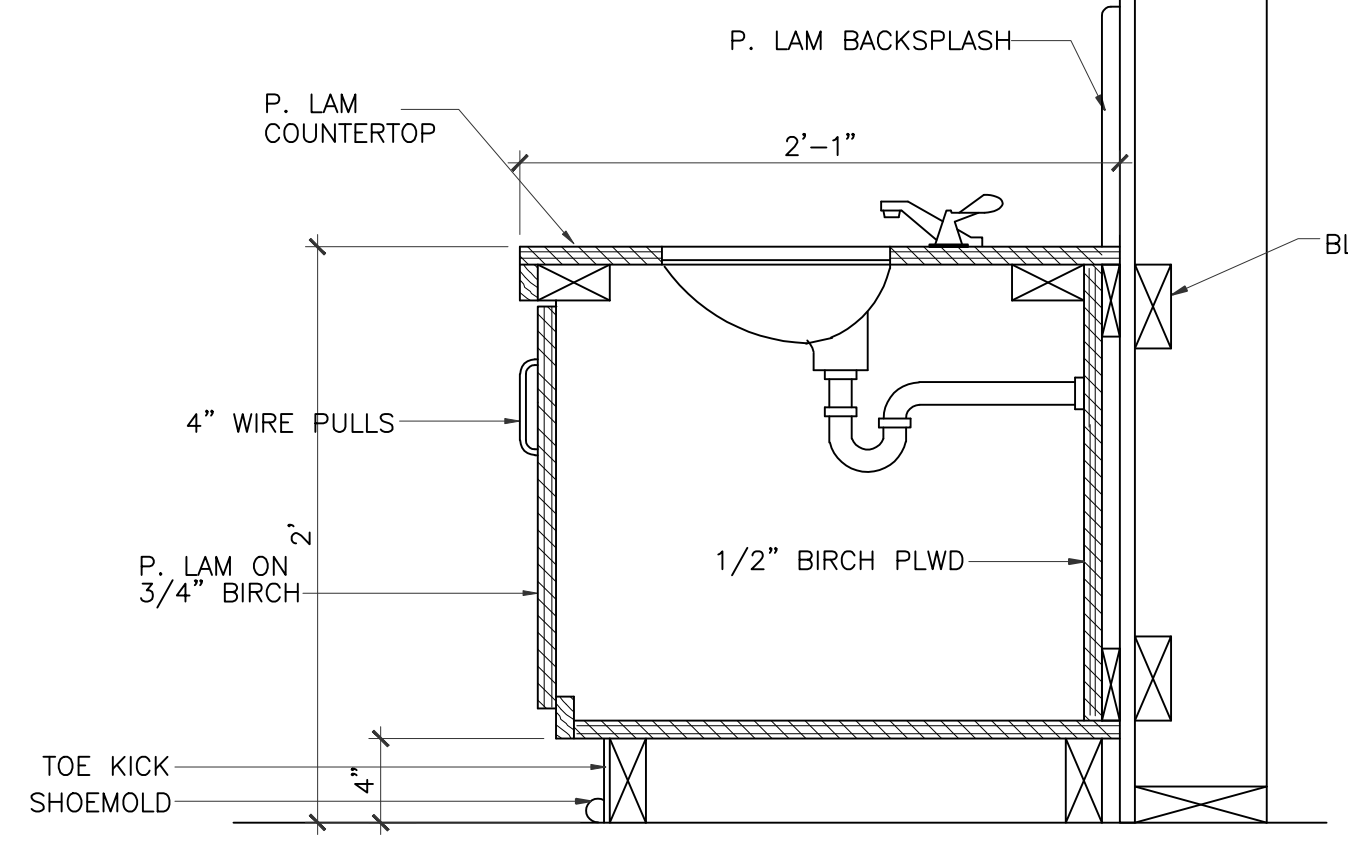
NO.	DATE	DESCRIPTION
1	08/13/2017	PRICING
2	09/03/2018	ADDENDUM 3
2	09/20/2018	PERMIT

**IVY KIDS EARLY LEARNING CENTER**  
**4434 CR 94**  
**Manvel, Tx 77578**

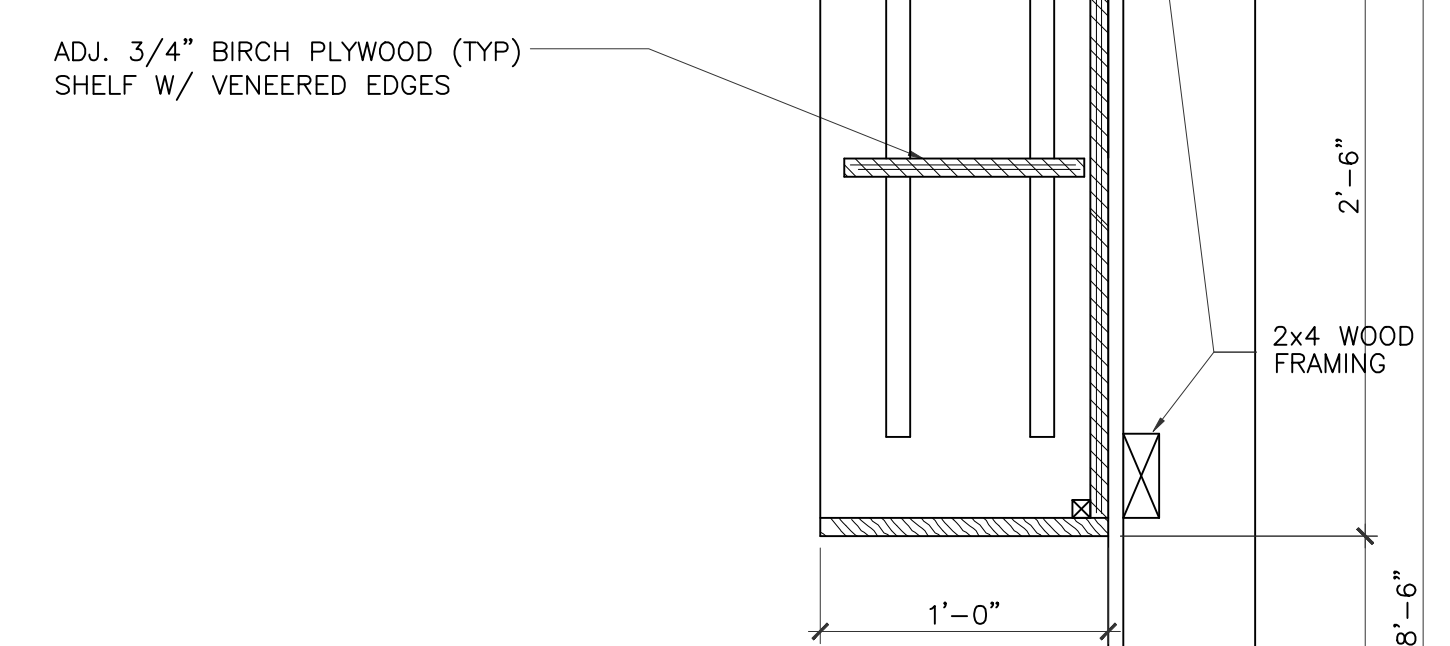


**1 MILLWORK SECTION**  
 SCALE: 1 1/2"=1'-0"  
 CLASSROOM #250, #300, #350, #400, #450, #500, #550, ACTIVITY ROOM

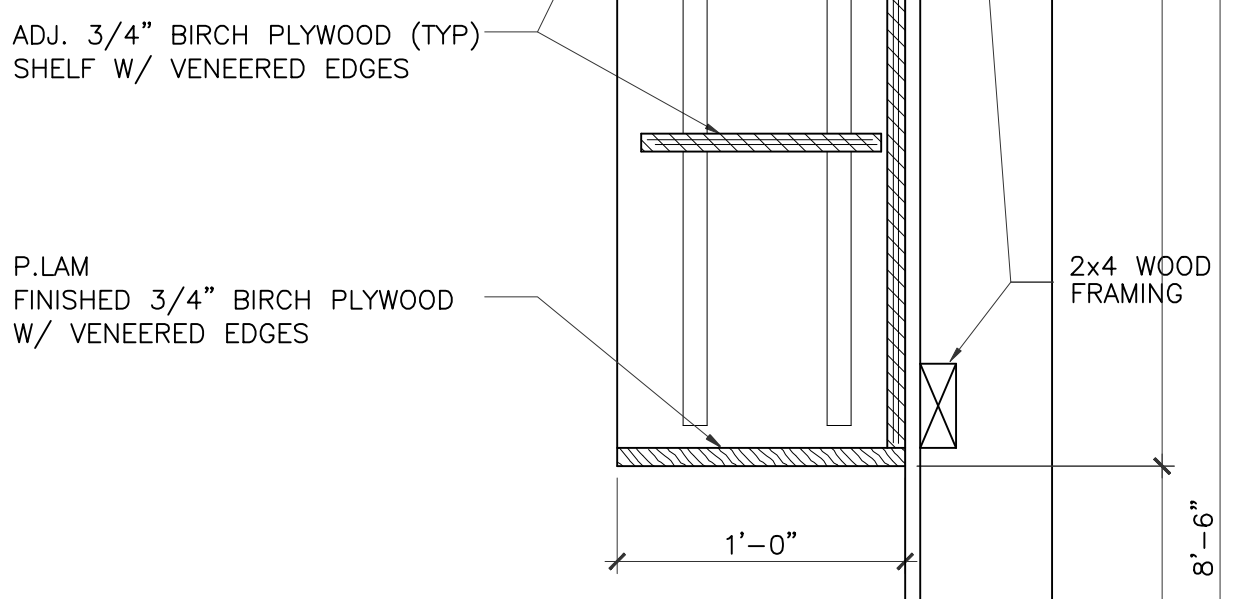
NOTE:  
 THESE DIMENSIONS MUST BE MAINTAINED  
 TO MEET ADA REQUIREMENTS



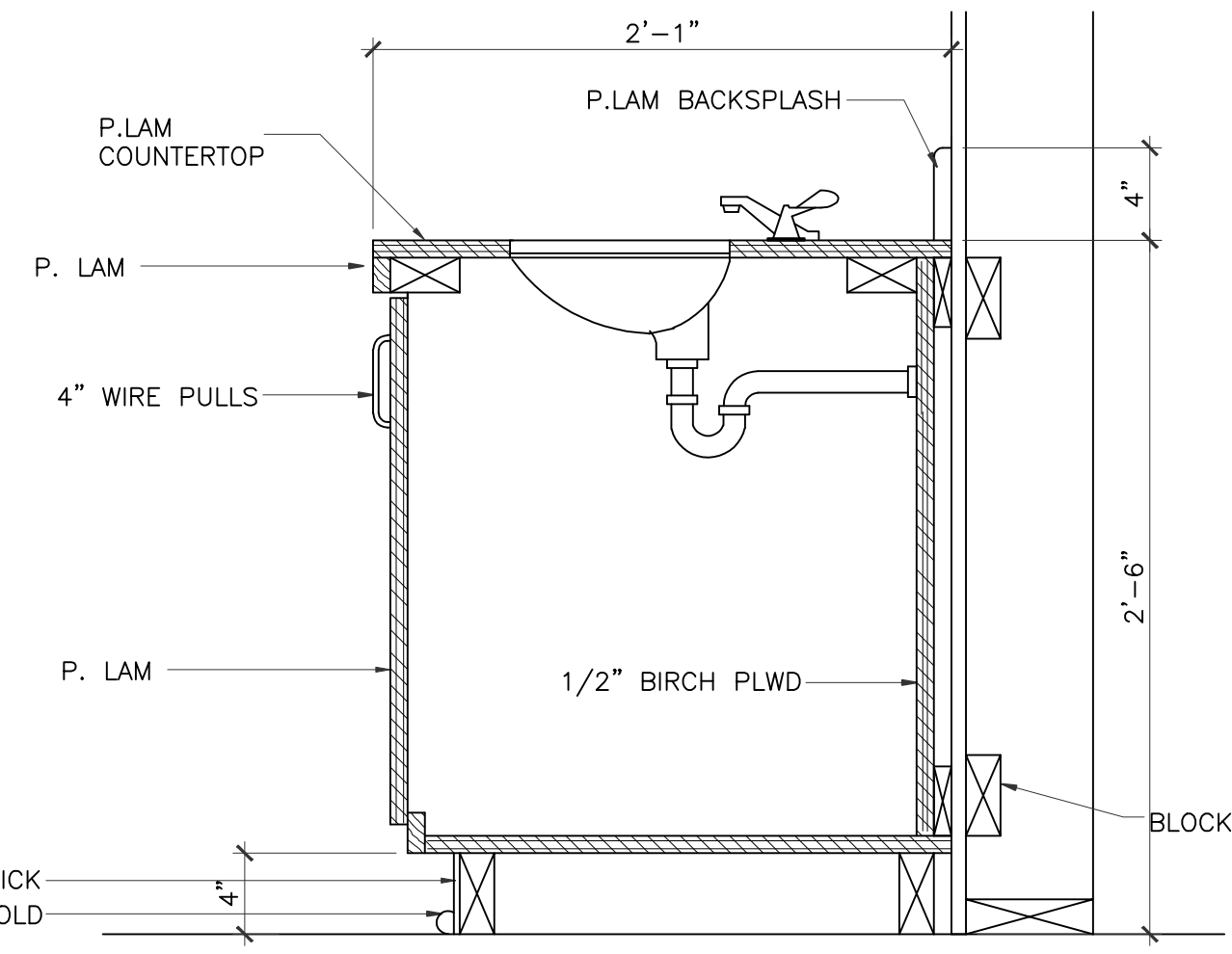
**2 MILLWORK SECTION**  
 SCALE: 1 1/2"=1'-0"  
 CLASSROOM #200, #250, #300, #350



**7 MILLWORK SECTION**  
 SCALE: 1 1/2"=1'-0"  
 CLASSROOM #250

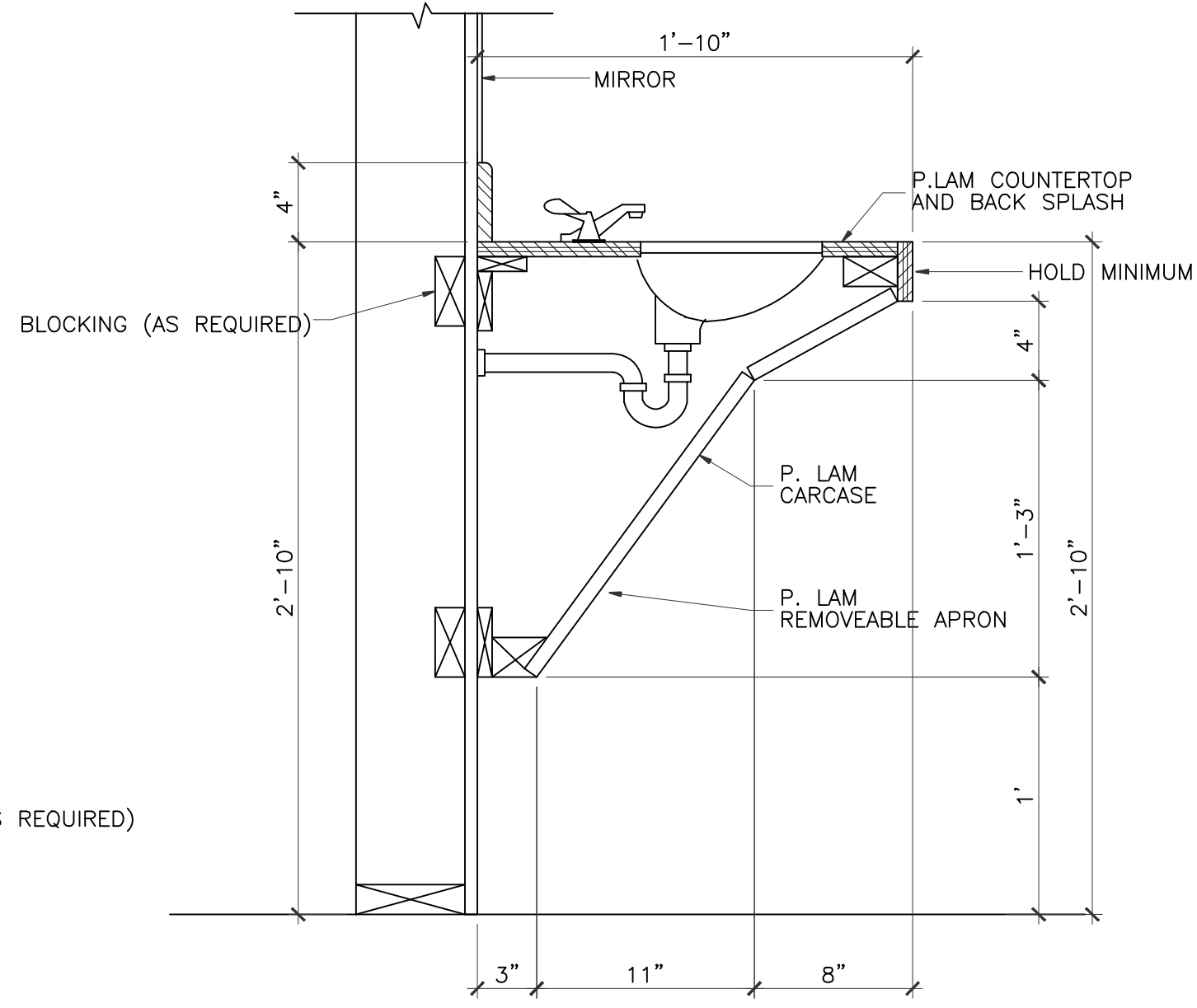


**8 MILLWORK SECTION**  
 SCALE: 1 1/2"=1'-0"  
 CLASSROOM #450



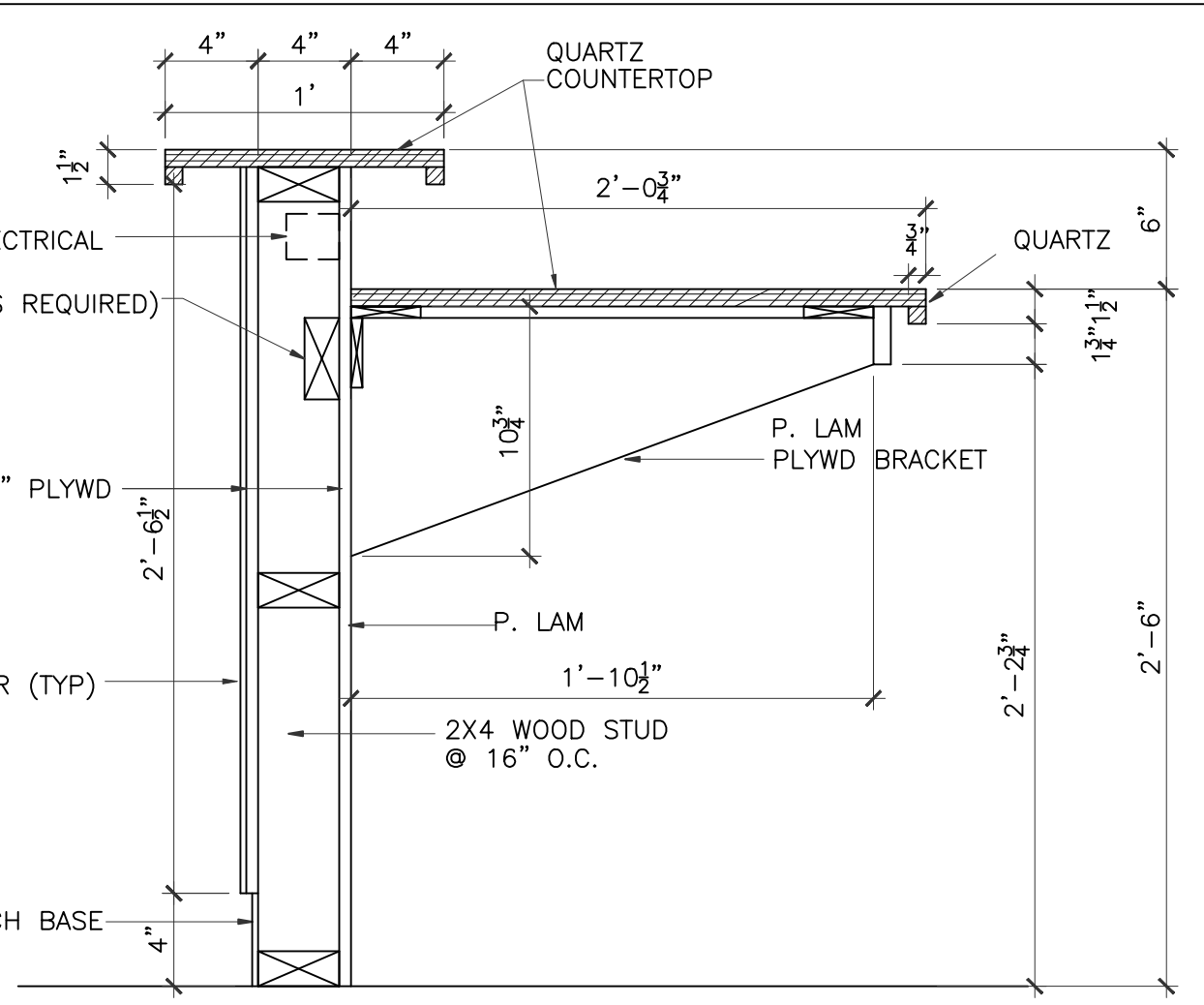
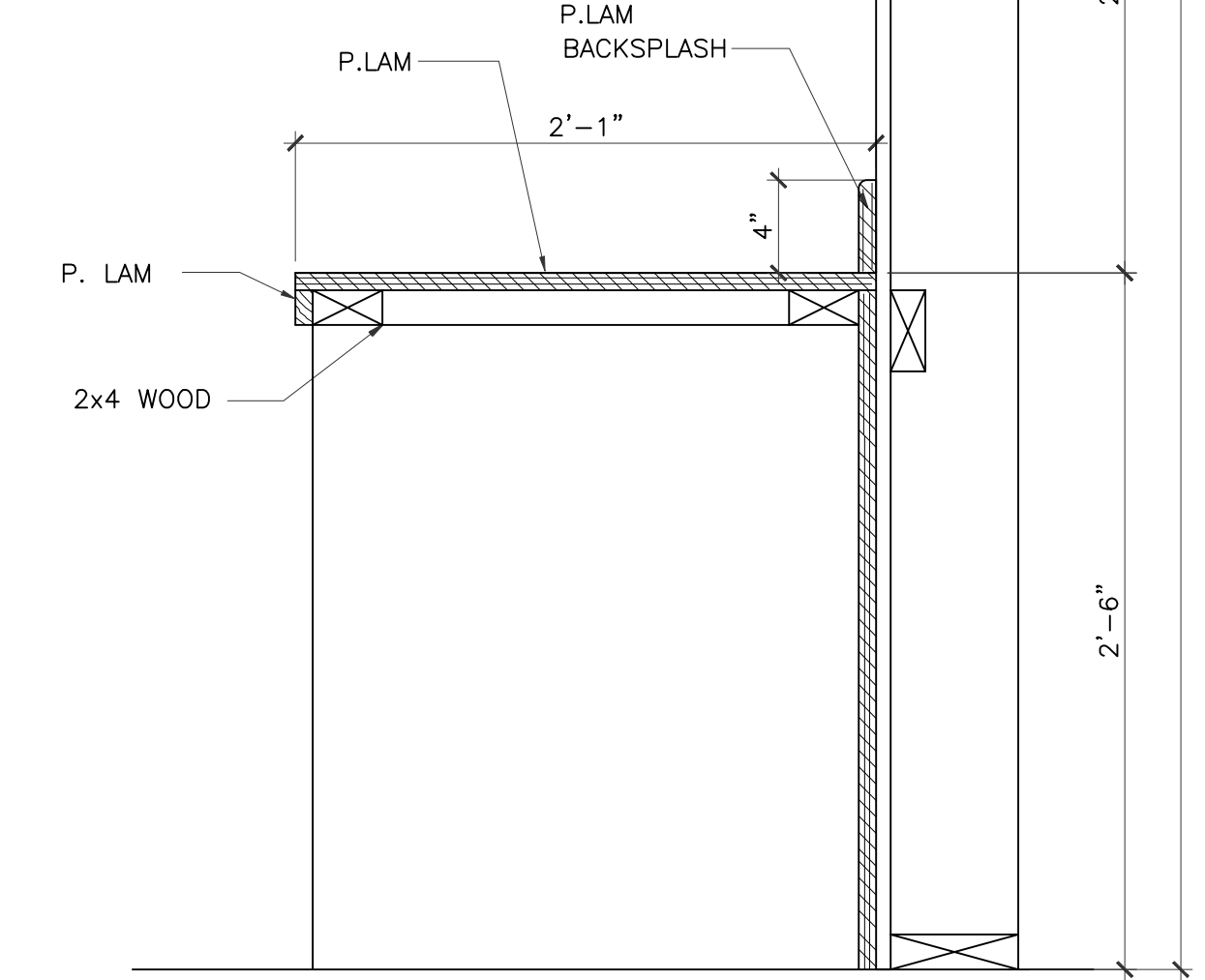
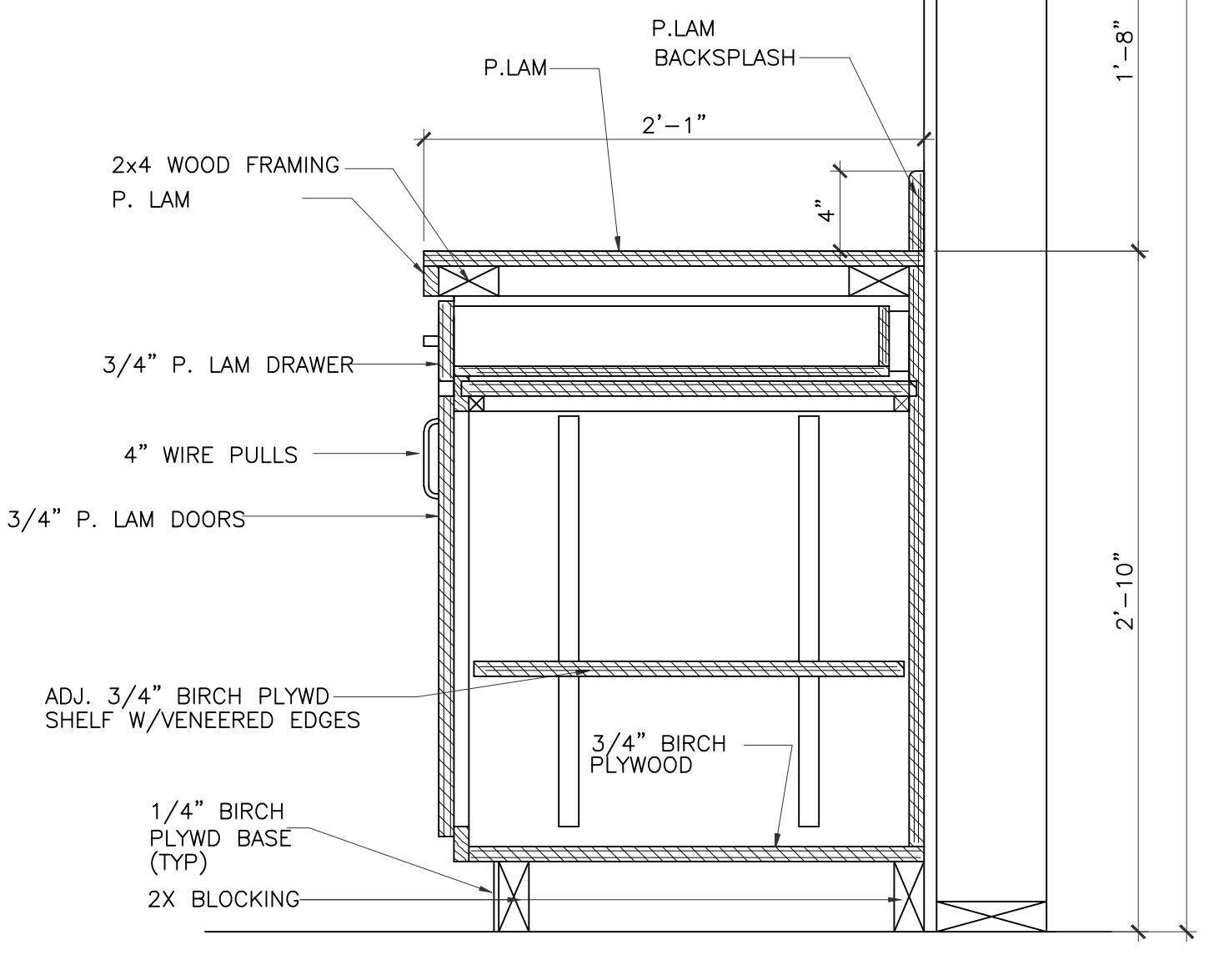
**3 MILLWORK SECTION**  
 SCALE: 1 1/2"=1'-0"  
 CLASSROOM #400, #450, #500, #550, ACTIVITY ROOM

P. LAM COUNTER TOP/SPALSH/RETURE: Pionite Pahnstasy PH7001  
 P. LAM CABINET / CASE WORK: Wilsonart Skyline Walnut 7964

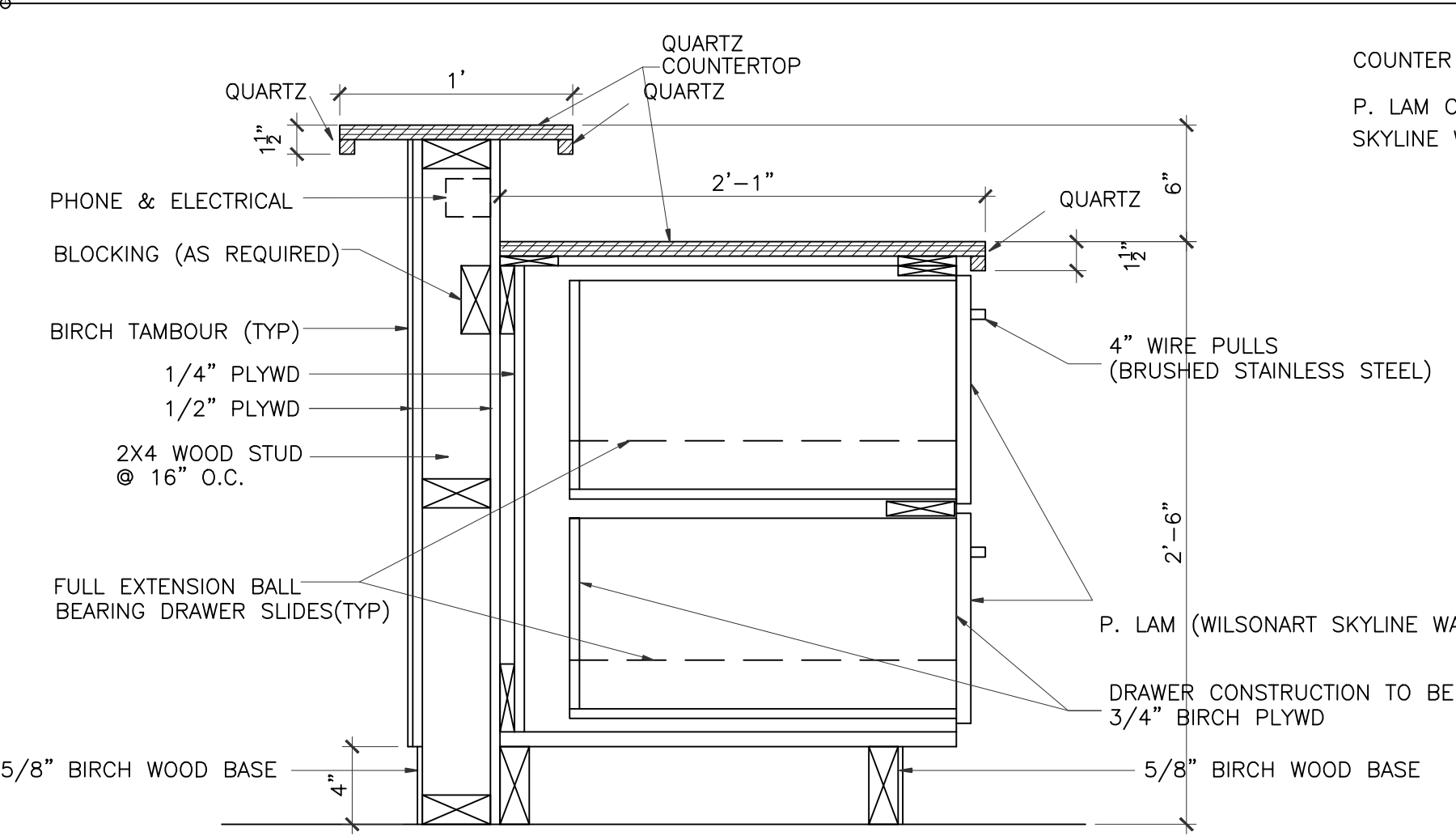


**4 MILLWORK SECTION**  
 SCALE: 1 1/2"=1'-0"  
 LUNCHROOM RESTROOM,

NOTE:  
 THESE DIMENSIONS MUST BE MAINTAINED  
 TO MEET ADA REQUIREMENTS

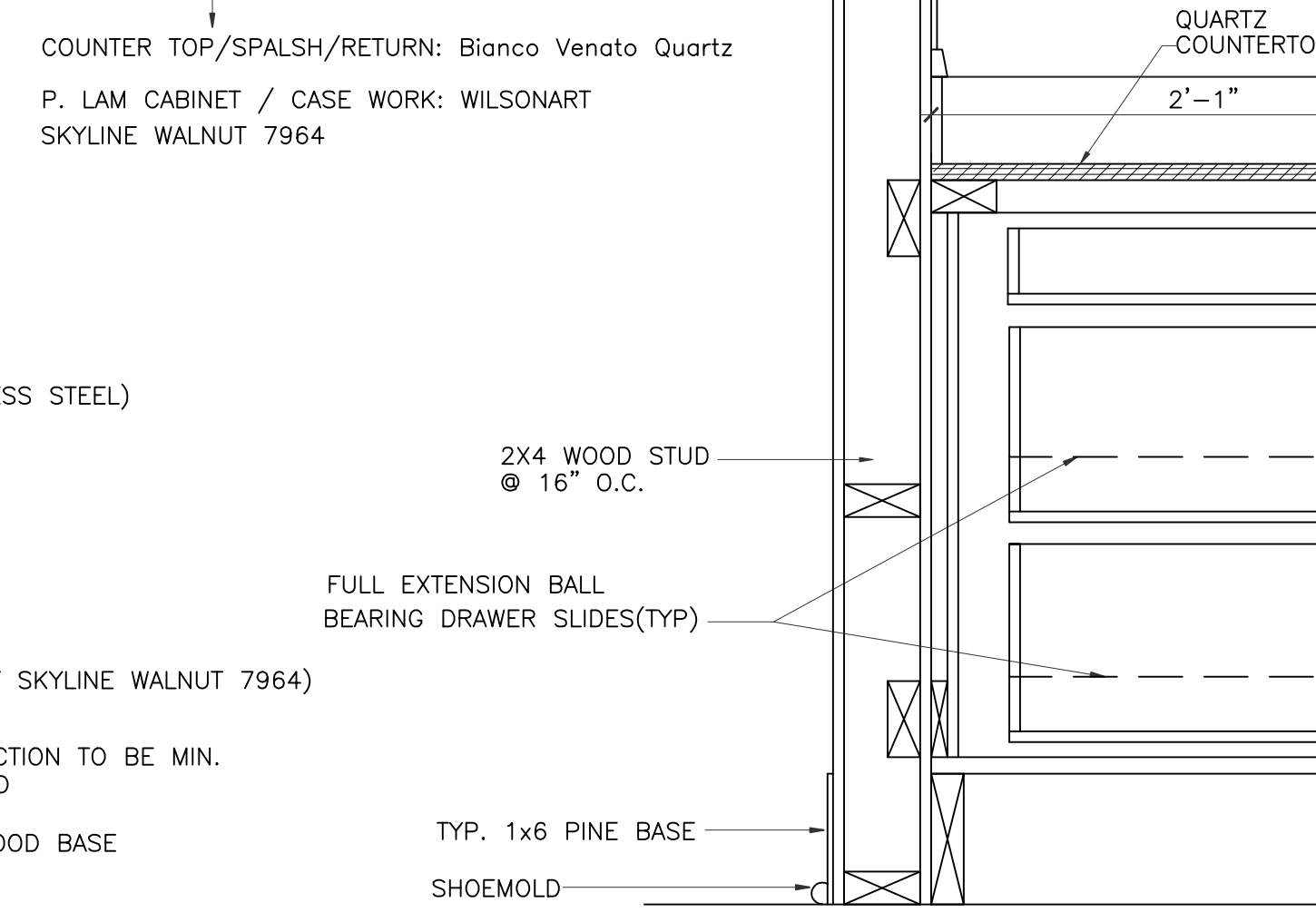


**5 MILLWORK SECTION**  
 SCALE: 1 1/2"=1'-0"  
 RECEPTION

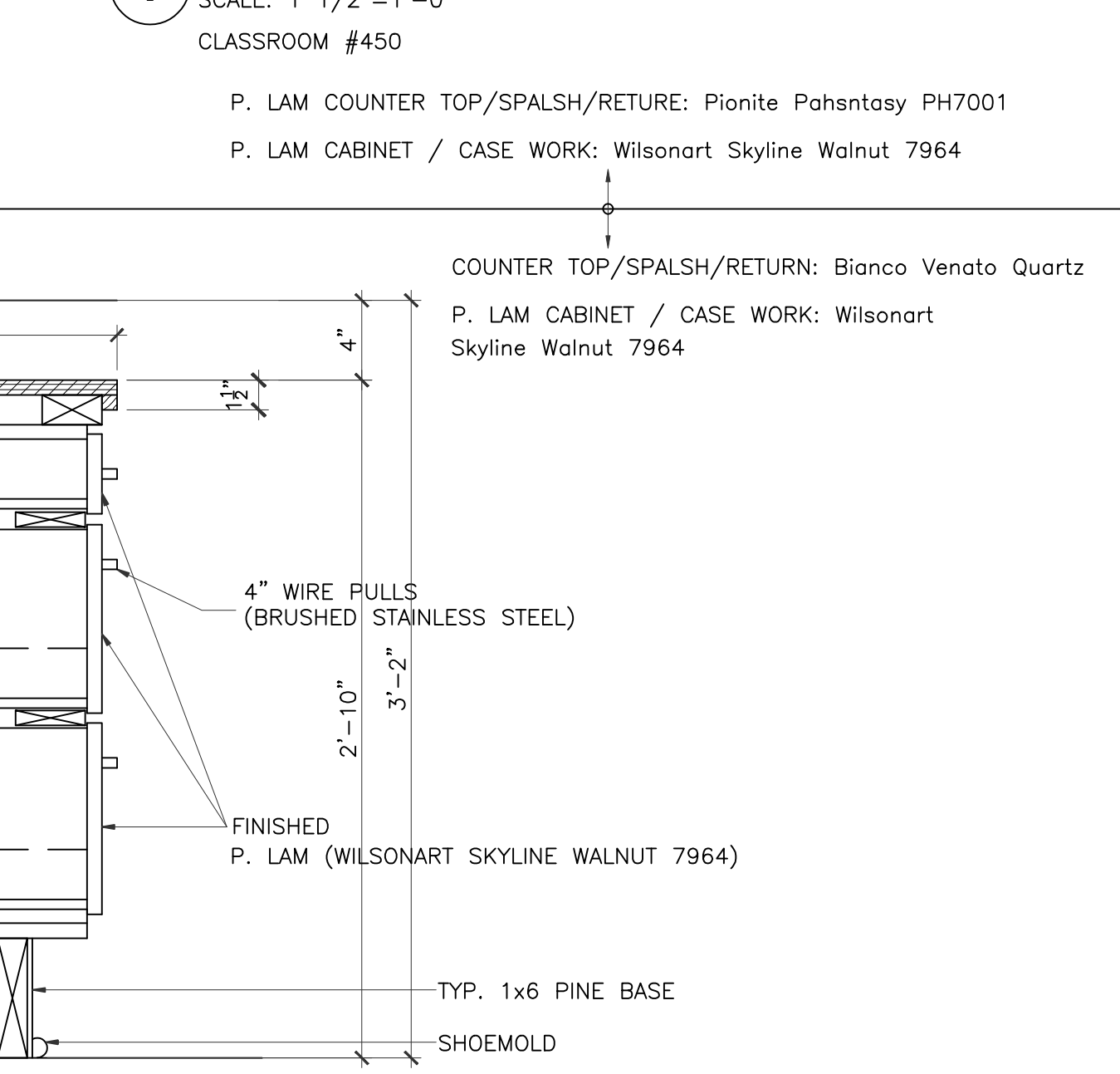


**6 MILLWORK SECTION**  
 SCALE: 1 1/2"=1'-0"  
 RECEPTION

NOTE:  
 EDGE BAND ALL EXPOSED (VISIBLE) EDGES  
 ON DRAWER AND CABINET FACES.



**9 MILLWORK SECTION**  
 SCALE: 1 1/2"=1'-0"  
 RECEPTION



COUNTER TOP/SPALSH/RETURN: Bianco Venato Quartz  
 P. LAM CABINET / CASE WORK: Wilsonart Skyline Walnut 7964



09/17/2018

DRAWING TITLE

**MILLWORK SECTIONS**

DRAWN BY: JC CHECKED BY: JC

DATE: 09/20/2018 JOB NO.: manvel

DRAWING NO. **A-8.1**