

FOUNDATION NOTES

- ALL GRADE BEAMS ARE 12" WIDE UNLESS OTHERWISE NOTED.
- ALL DRILLED SHAFTS SHOULD BE CENTERED IN GRADE BEAMS IN BOTH DIRECTIONS UNLESS OTHERWISE NOTED.
- PRESET SHEAR WALL HOLDDOWN ANCHORS AND HURRICANE TIE ANCHORS AS REQUIRED.
- SAW CUT CONTROL JOINTS OF SLAB IN BOTH DIRECTIONS, JOINTS SHOULD BE MAXIMUM OF 15 FEET SPACING.
- PLACE 6 MIL VAPOR BARRIER UNDERNEATH BUILDING PAD AND EXTEND A MINIMUM OF 3 FEET BEYOND.
- PREPARE SUBGRADE AS SPECIFIED IN SHEET S3 AND PROJECT GEOTECHNICAL REPORT.
- INSTALL REINFORCED CONCRETE PLINTH WHERE AS NEEDED WHERE COLUMN OR STUD WALL BASE ANCHOR BOLTS DO NOT HAVE 2 INCH SIDE CONCRETE PROTECTION. PLINTH SHOULD MATCH DEPTH OF GRADE BEAM.

REVISIONS AND ISSUANCE

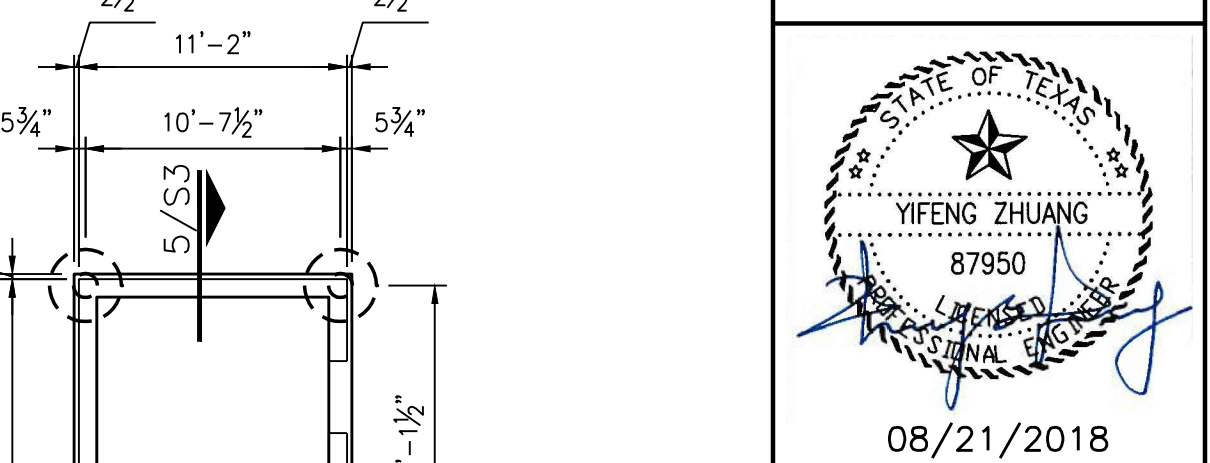
NO.	DATE	DESCRIPTION

LEGEND

- STUD WALL ABOVE
- ▨ INTERIOR LOAD-BEARING WALL
- ⊙ 12" DRILLED SHAFT WITH 36" UNDERREAM BELL
- CJ CONTROL JOINT /CONSTRUCTION JOINT

IVY KIDS EARLY LEARNING CENTER
 4434 CR 94
 MANVEL, TEXAS 77578

MISSION ENGINEERING INC.
 10370 RICHMOND AVE, #560
 HOUSTON, TEXAS 77042
 [T] 713-981-0018
 [E] dzhuang@missioneng.com
 TPEF Registration No. F-11771



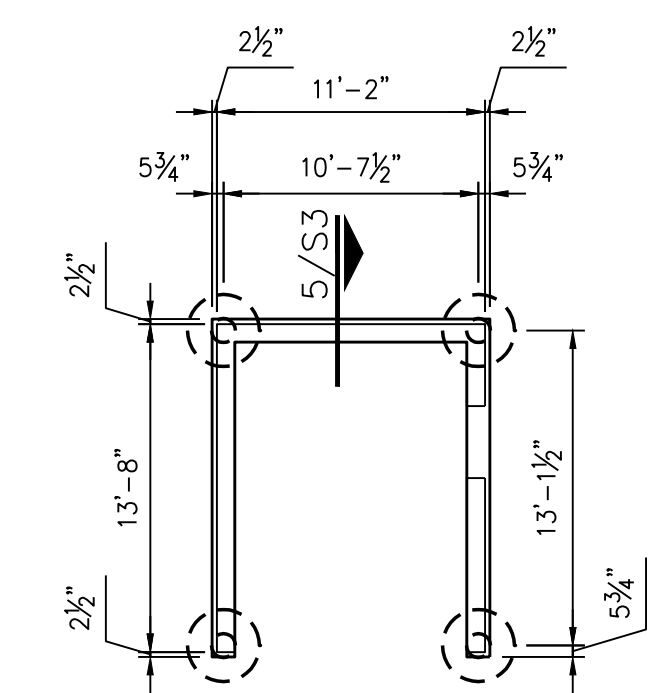
08/21/2018

DRAWING TITLE

FOUNDATION PLAN

DRAWN BY KN	CHECKED BY EL
DATE 08/21/2018	JOB NO. 1806251
DRAWING NO.	

S1



1 FOUNDATION PLAN
 SCALE: 1/8" = 1'-0"

2 DUMPSTER FOUNDATION PLAN
 SCALE: 1/8" = 1'-0"