

REVISIONS AND ISSUANCE		
NO.	DATE	DESCRIPTION

**IVY KIDS EARLY LEARNING CENTER**  
4434 CR 94  
MANVEL, TEXAS 77578

MISSION ENGINEERING INC.  
10370 RICHMOND AVE, #560  
HOUSTON, TEXAS 77042  
[T] 713-981-0018  
[E] dzhuang@missioneng.com  
TPEF Registration No. F-11771

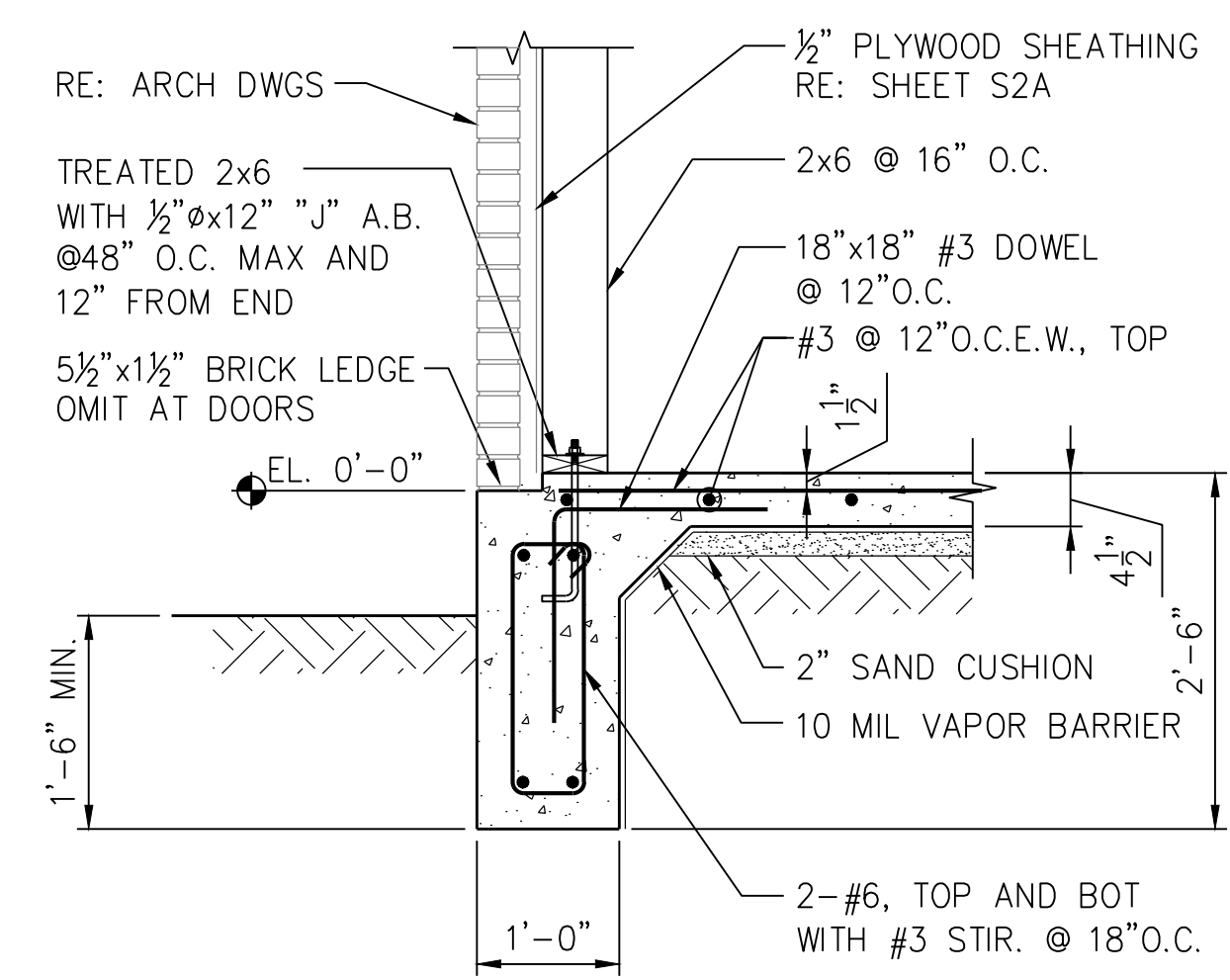


09/10/2018

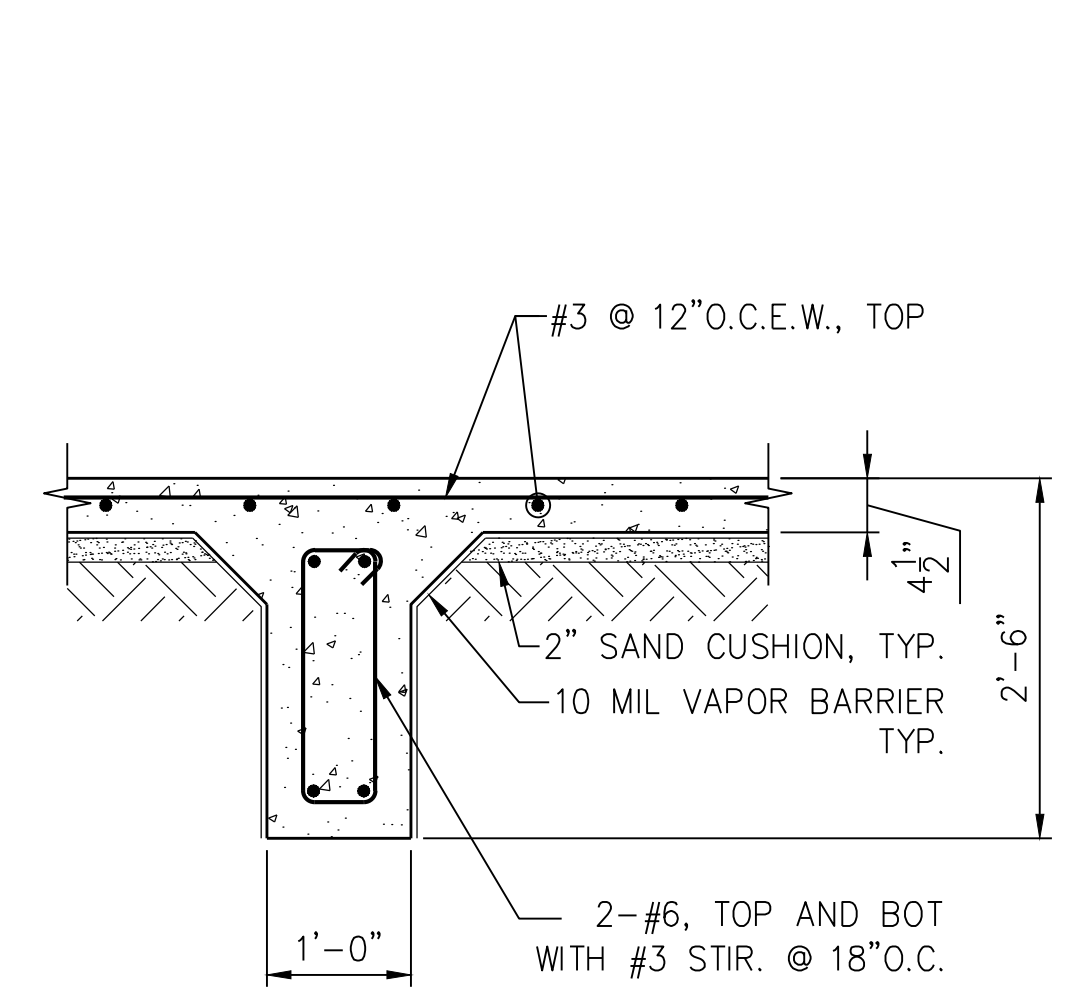
**DRAWING TITLE**  
**FOUNDATION DETAILS**

<b>DRAWN BY</b> KN	<b>CHECKED BY</b> EL
<b>DATE</b> 09/10/2018	<b>JOB NO.</b> 1806251

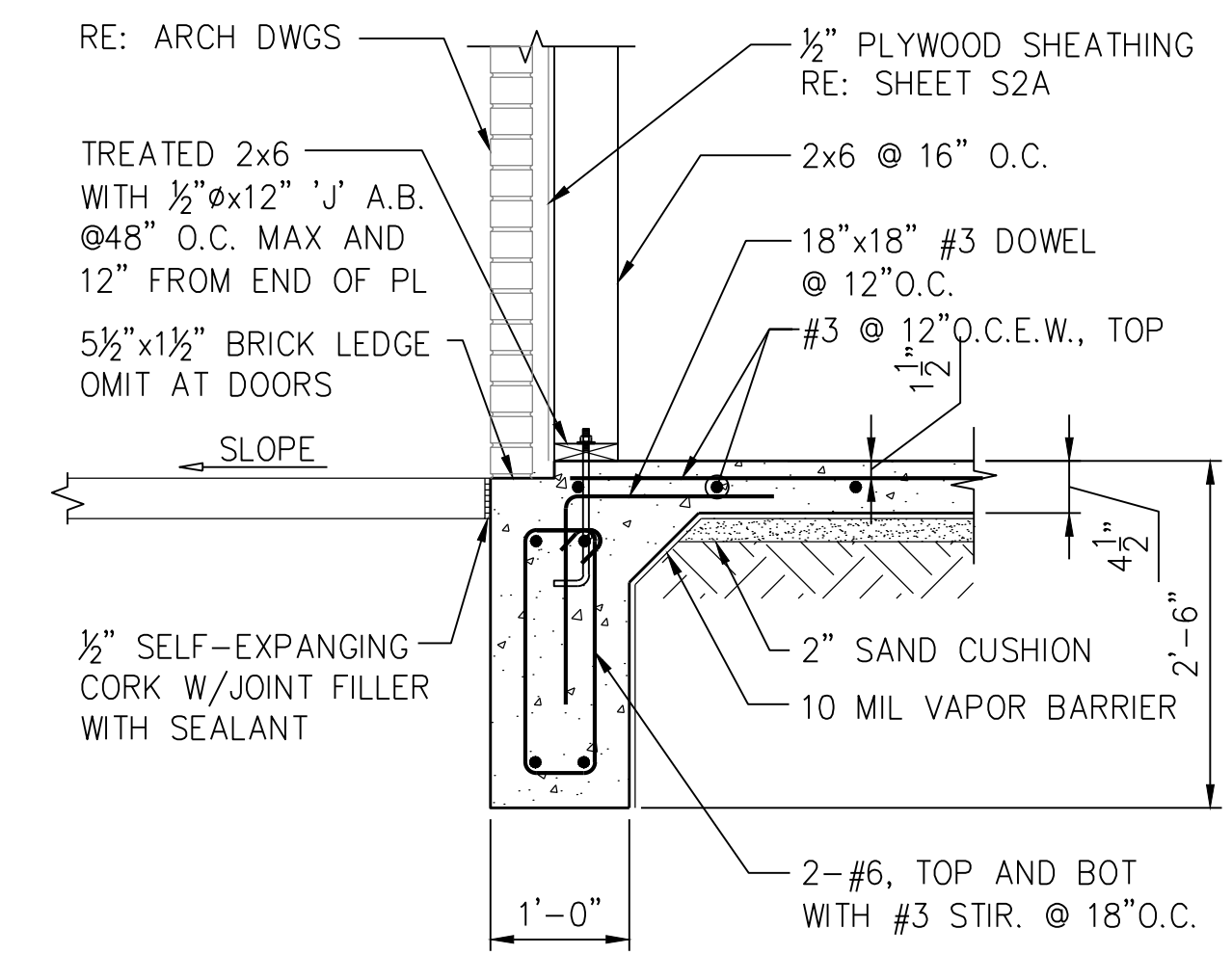
**DRAWING NO.**



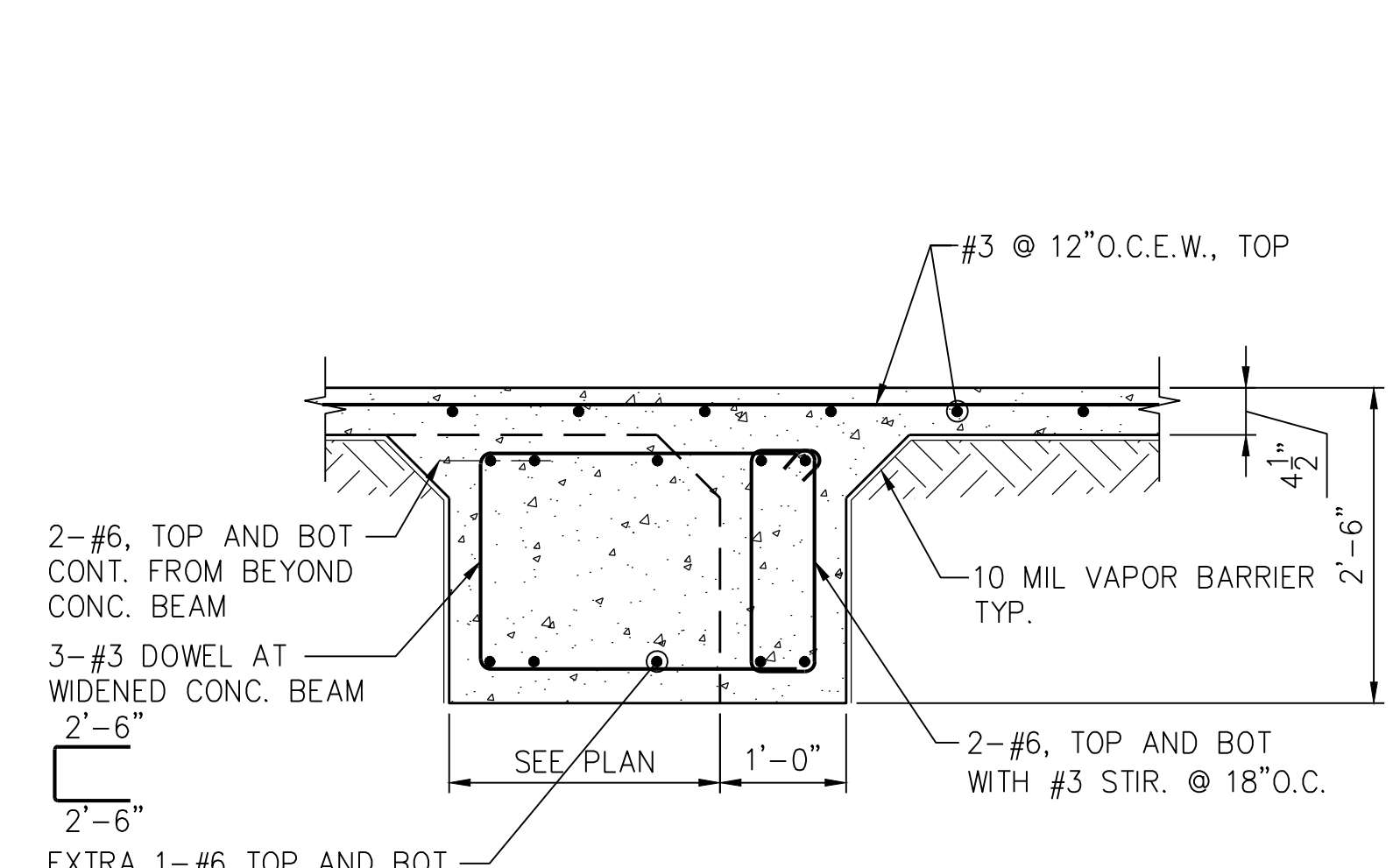
**1 SECTION**  
SCALE: 3/4" = 1'-0"



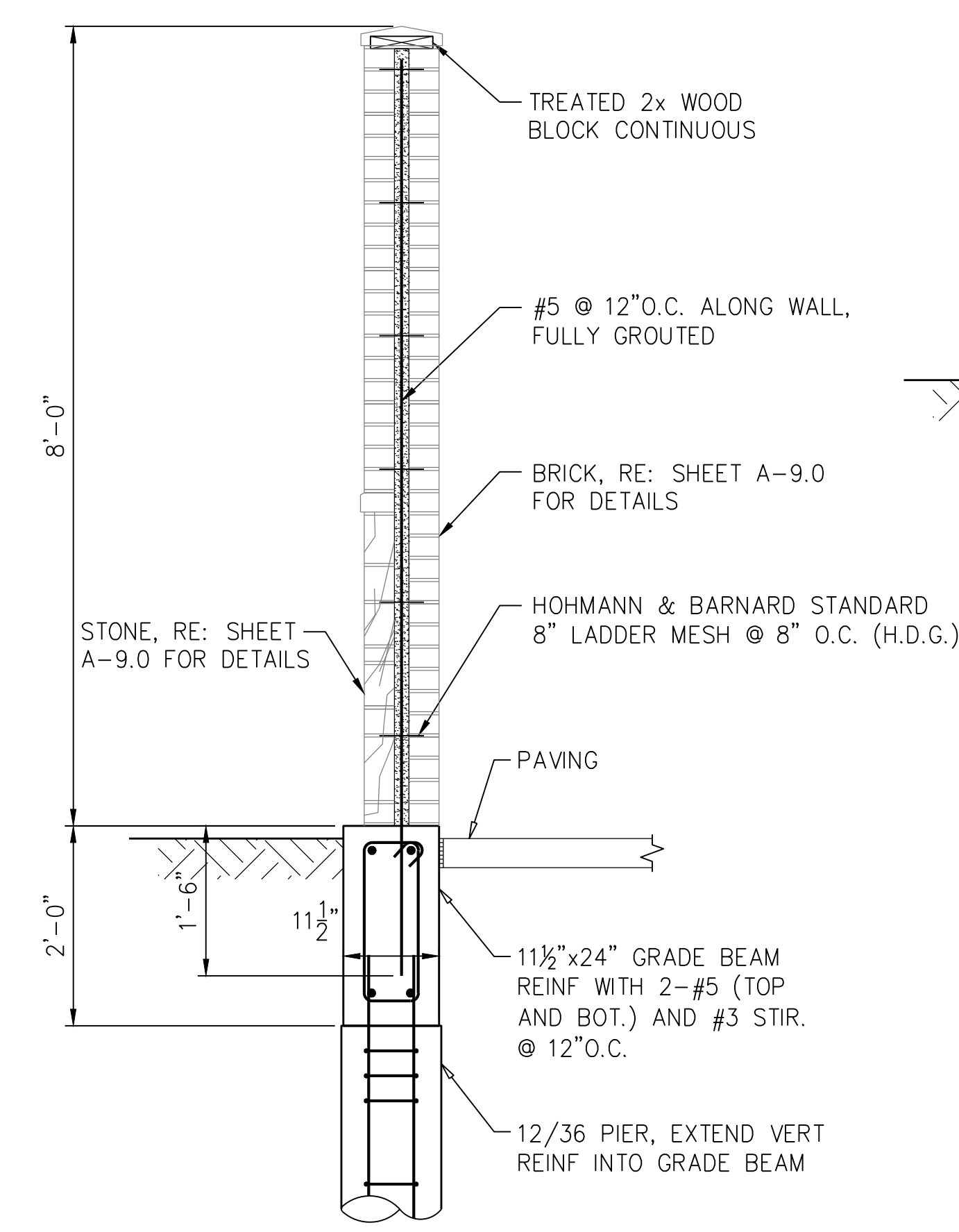
**2 SECTION**  
SCALE: 3/4" = 1'-0"



**3 SECTION**  
SCALE: 3/4" = 1'-0"

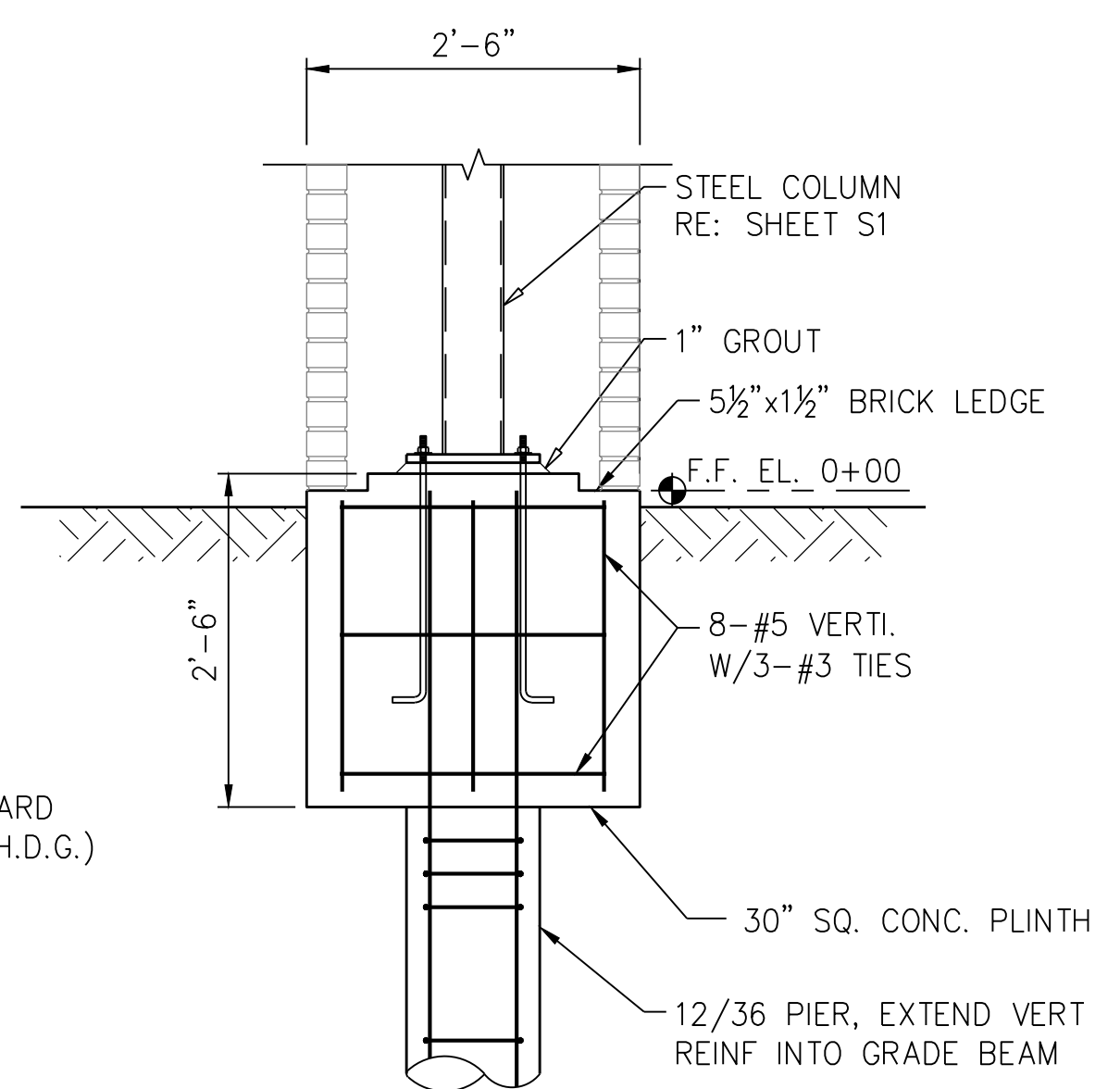


**4 SECTION**  
SCALE: 3/4" = 1'-0"

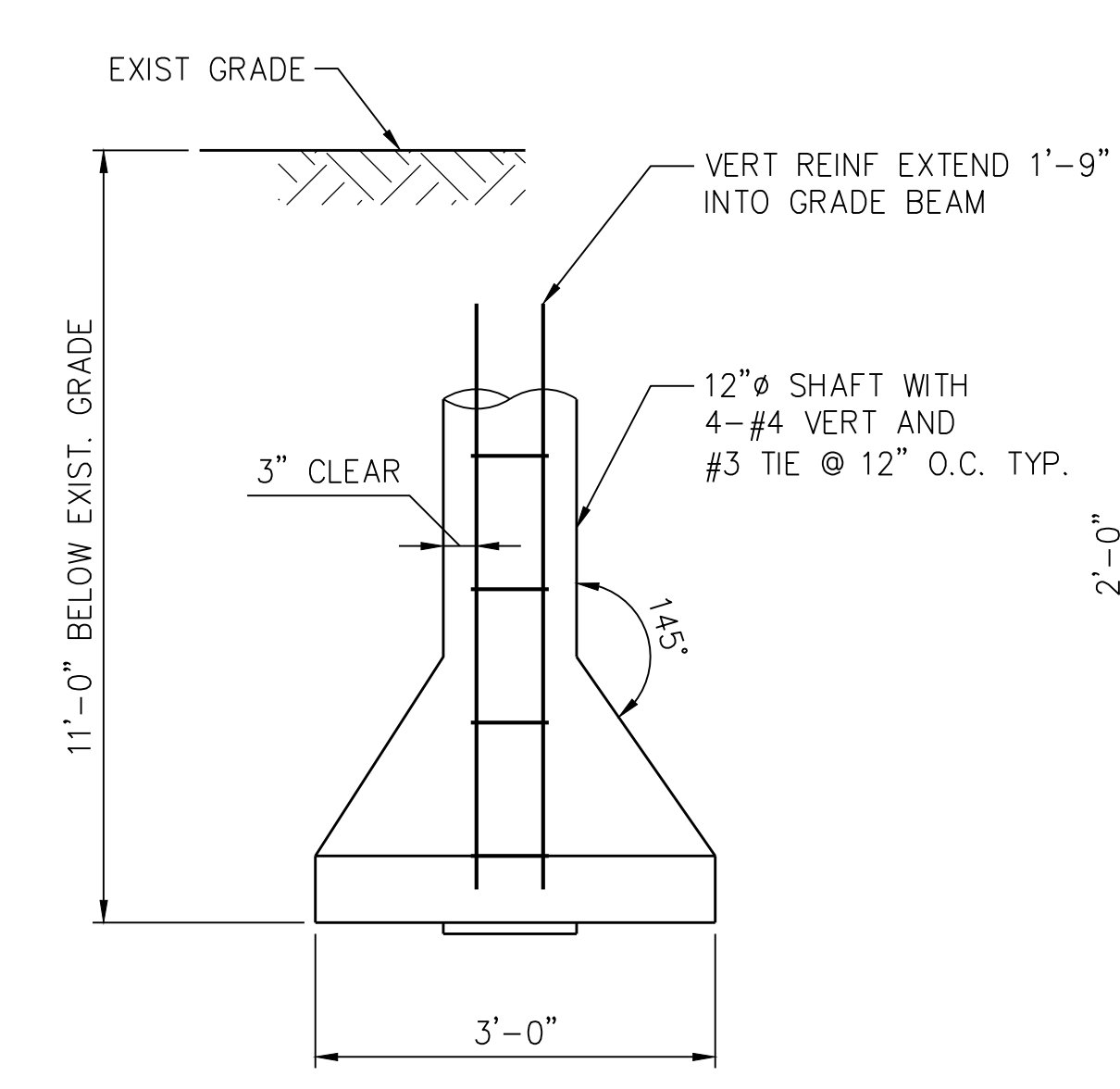


**5 DUMPSTER WALL DETAIL**  
SCALE: 3/4" = 1'-0"

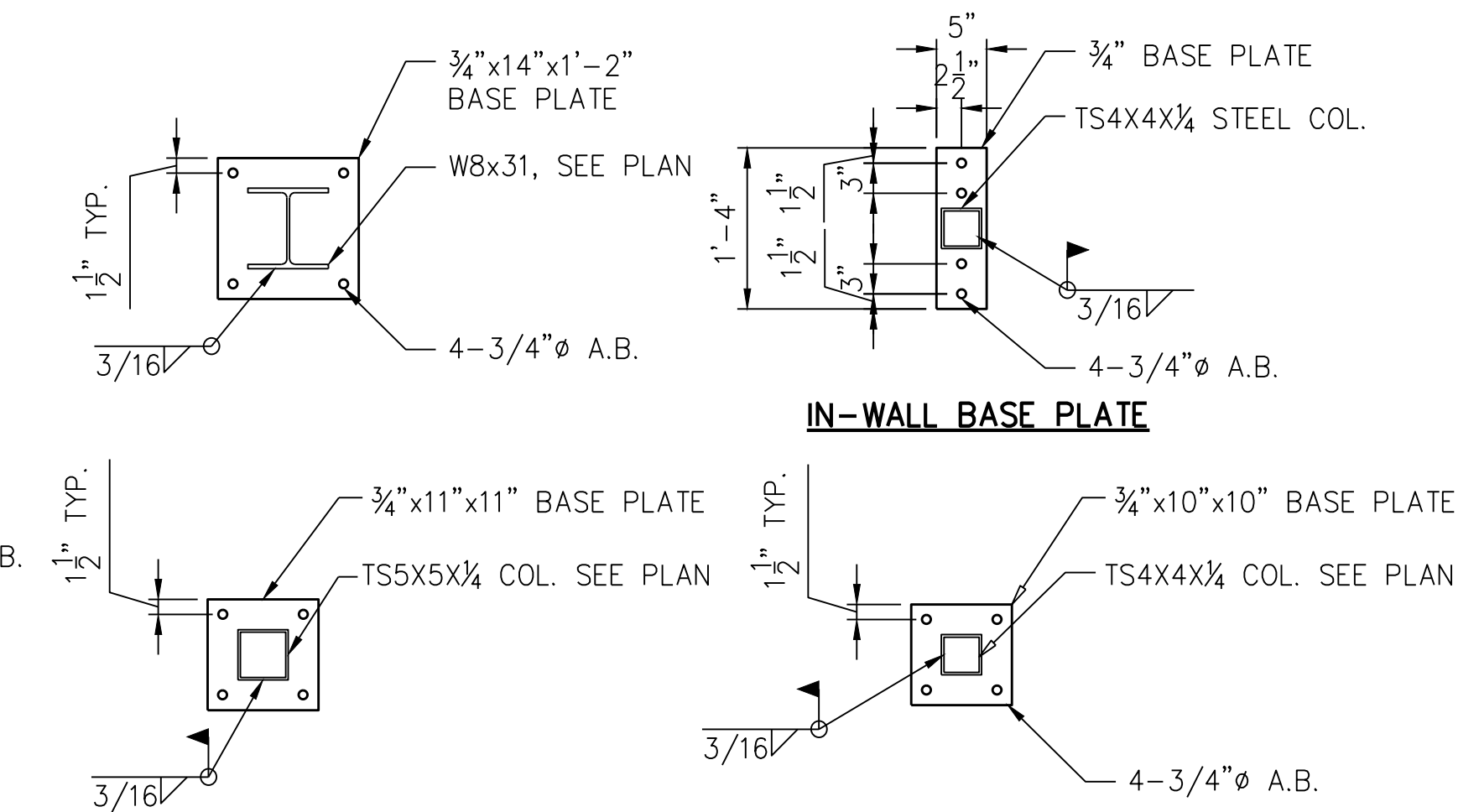
NOTE: REFER TO SITE AND ARCH DRAWINGS FOR LOCATIONS.



**6 SECTION**  
SCALE: 3/4" = 1'-0"

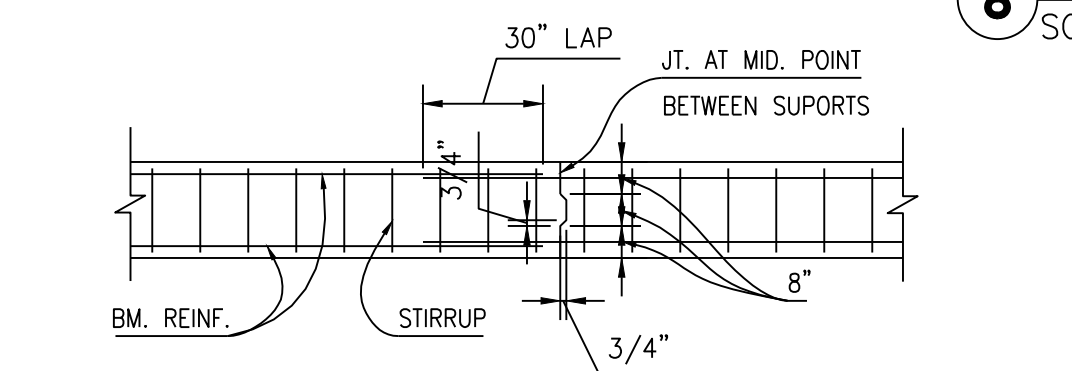


**7 TYPICAL PIER DETAIL**  
SCALE: 3/4" = 1'-0"

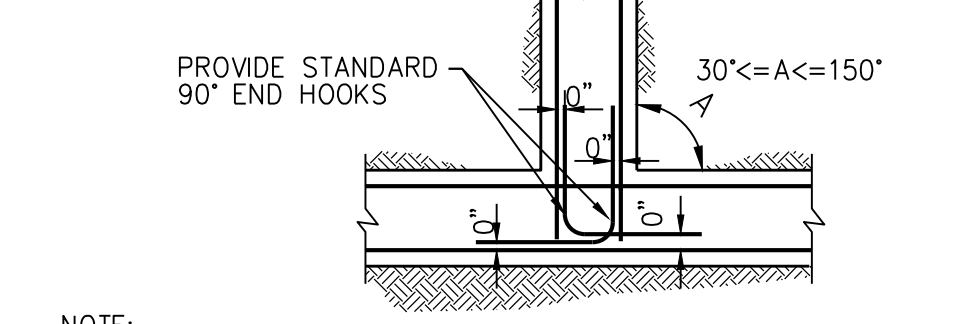


**8 TYP. BASE PLATE AND A.B. DETAILS**  
SCALE: 3/4" = 1'-0"

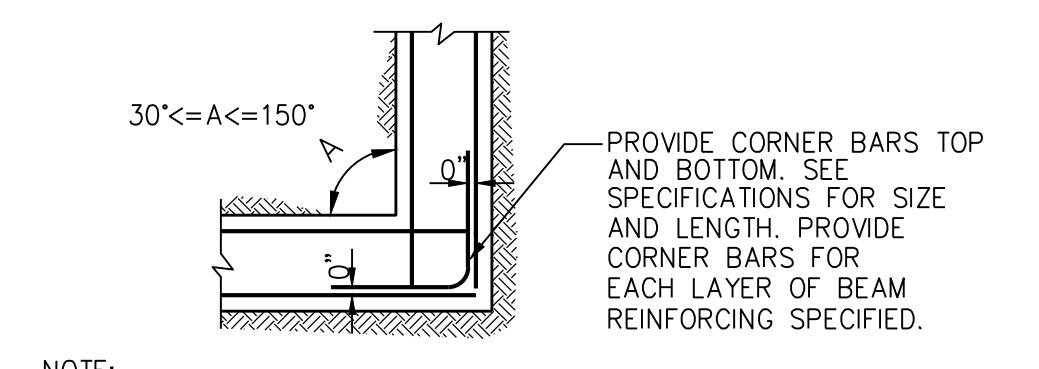
NOTE: COLUMN BASE PLATE SHALL BE SET ON 1" GROUT AND THE BOTTOM OF BASE PLATE ELEVATION SHALL BE AT 1" ABOVE FINISH FLOOR TYP.



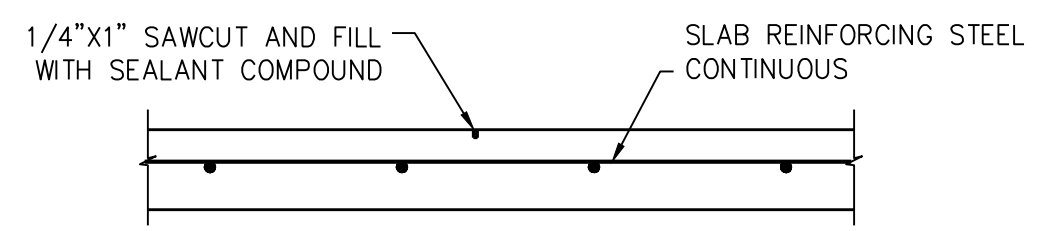
**B GRADE BEAM CONSTRUCTION JOINT**  
SCALE: NTS



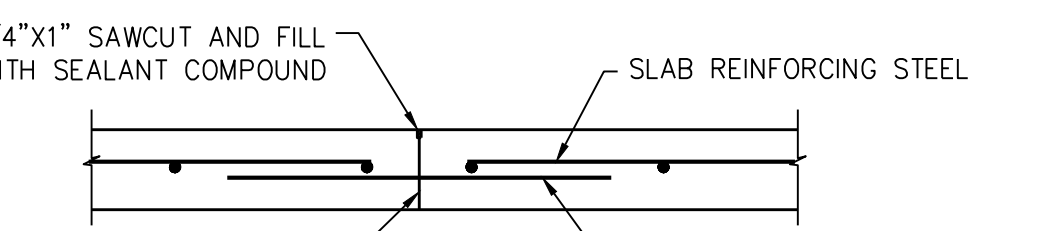
**C TYPICAL DETAIL GRADE BEAM AND WALL "T" INTERSECTION TOP BAR PLACEMENT DIAGRAM**  
SCALE: NTS



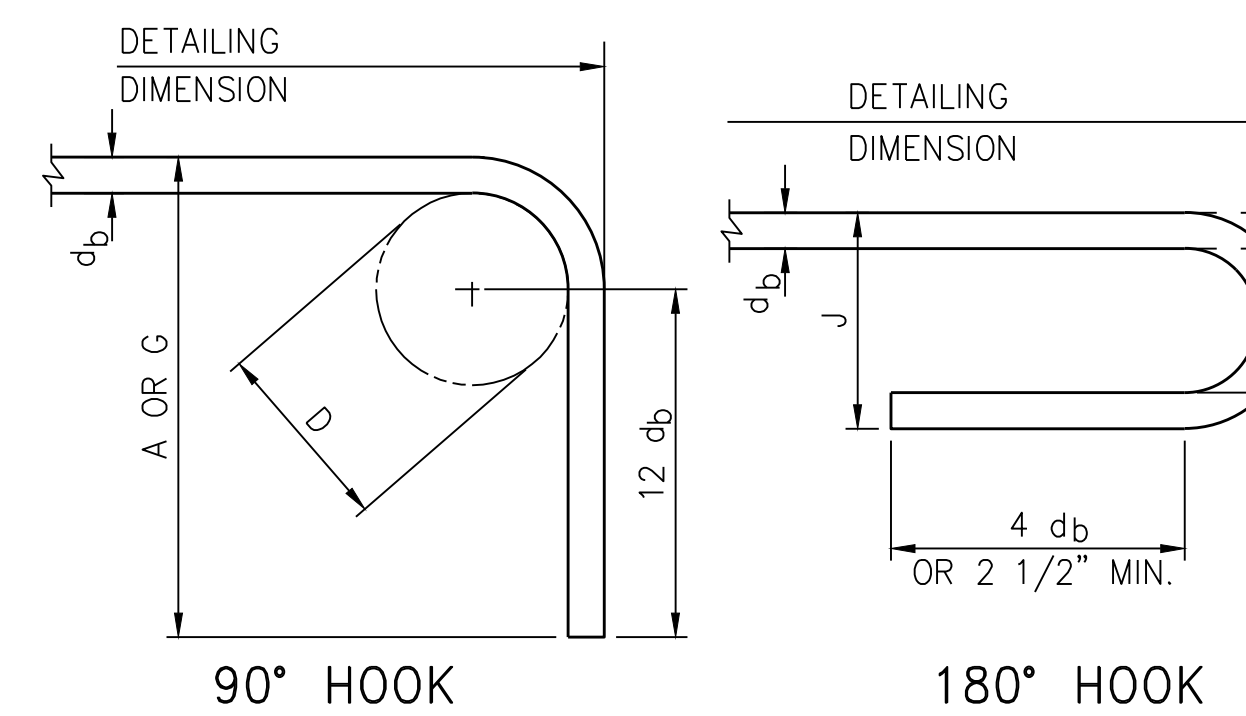
**D TYPICAL DETAIL GRADE BEAM AND WALLS REINFORCING - STEEL SPLICE AT CORNERS (PLAN VIEW)**  
SCALE: NTS



**E CONTROL JOINT DETAIL**  
SCALE: NTS



**F CONSTRUCTION JOINT DETAIL**  
SCALE: NTS



RECOMMENDED END HOOKS, ALL GRADES

BAR SIZE	FINISHED BEND DIAMETER D,(IN.)	180° HOOKS		90° HOOKS
		A OR G,(IN)	J,(IN.)	A OR G,(IN)
#3	2 1/4	5	3	6
#4	3	6	4	8
#5	3 3/4	7	5	10
#6	4 1/2	8	6	12
#7	5 1/4	10	7	14

D=INSIDE DIAMETER OF BEND  
**A TYPICAL END HOOK DETAILS**  
SCALE: NTS

**E CONTROL JOINT DETAIL**  
SCALE: NTS

**F CONSTRUCTION JOINT DETAIL**  
SCALE: NTS