

REVISIONS AND ISSUANCE		
NO.	DATE	DESCRIPTION

IVY KIDS EARLY LEARNING CENTER
4434 CR 94
MANVEL, TEXAS 77578

MISSION ENGINEERING INC.
10370 RICHMOND AVE, #560
HOUSTON, TEXAS 77042
[T] 713-981-0018
[E] dzhuang@missioneng.com
TPEF Registration No. F-11771



DRAWING TITLE

FRAMING DETAILS

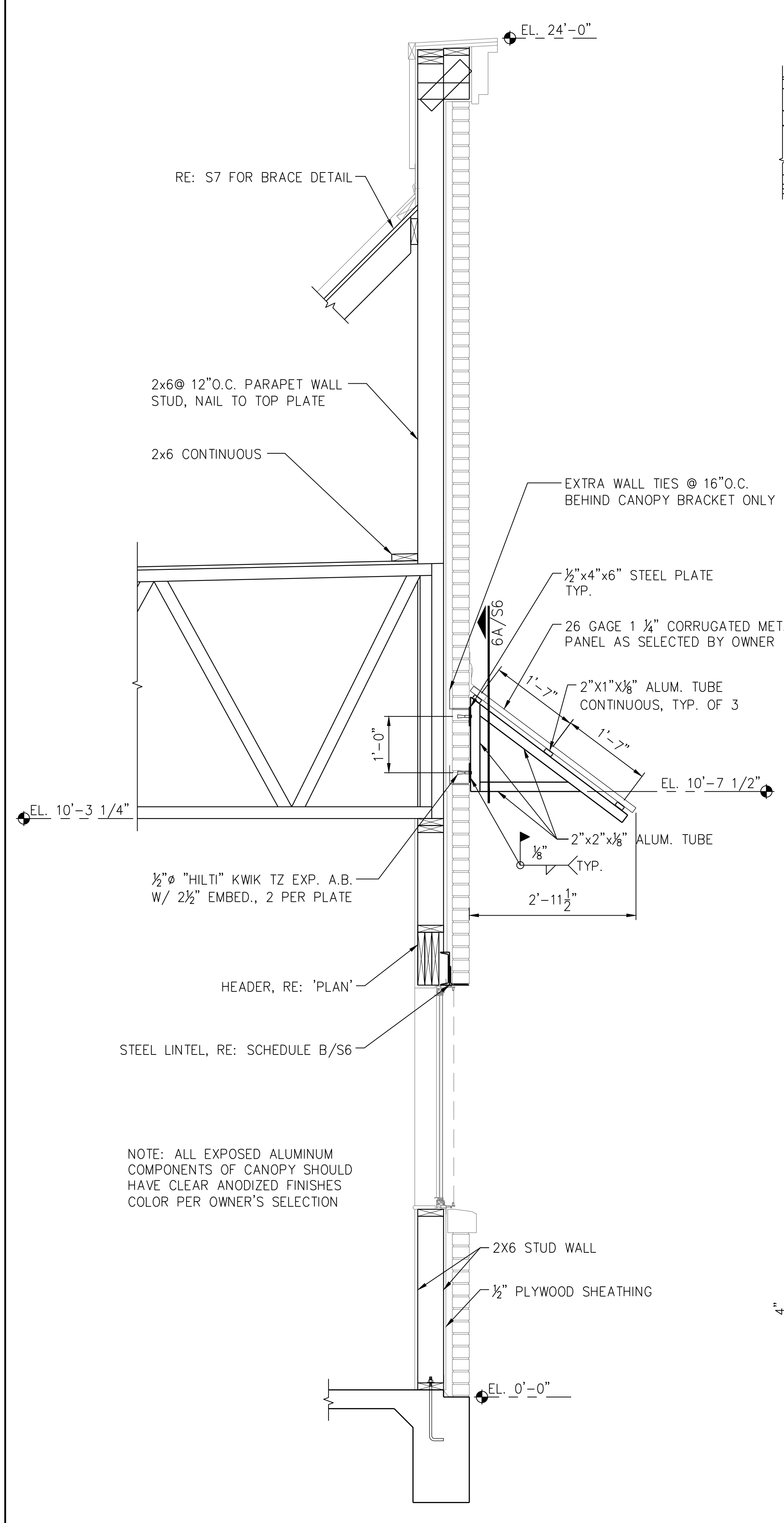
DRAWN BY KN	CHECKED BY EL
DATE 08/21/2018	JOB NO. 1806251

DRAWING NO.
S6

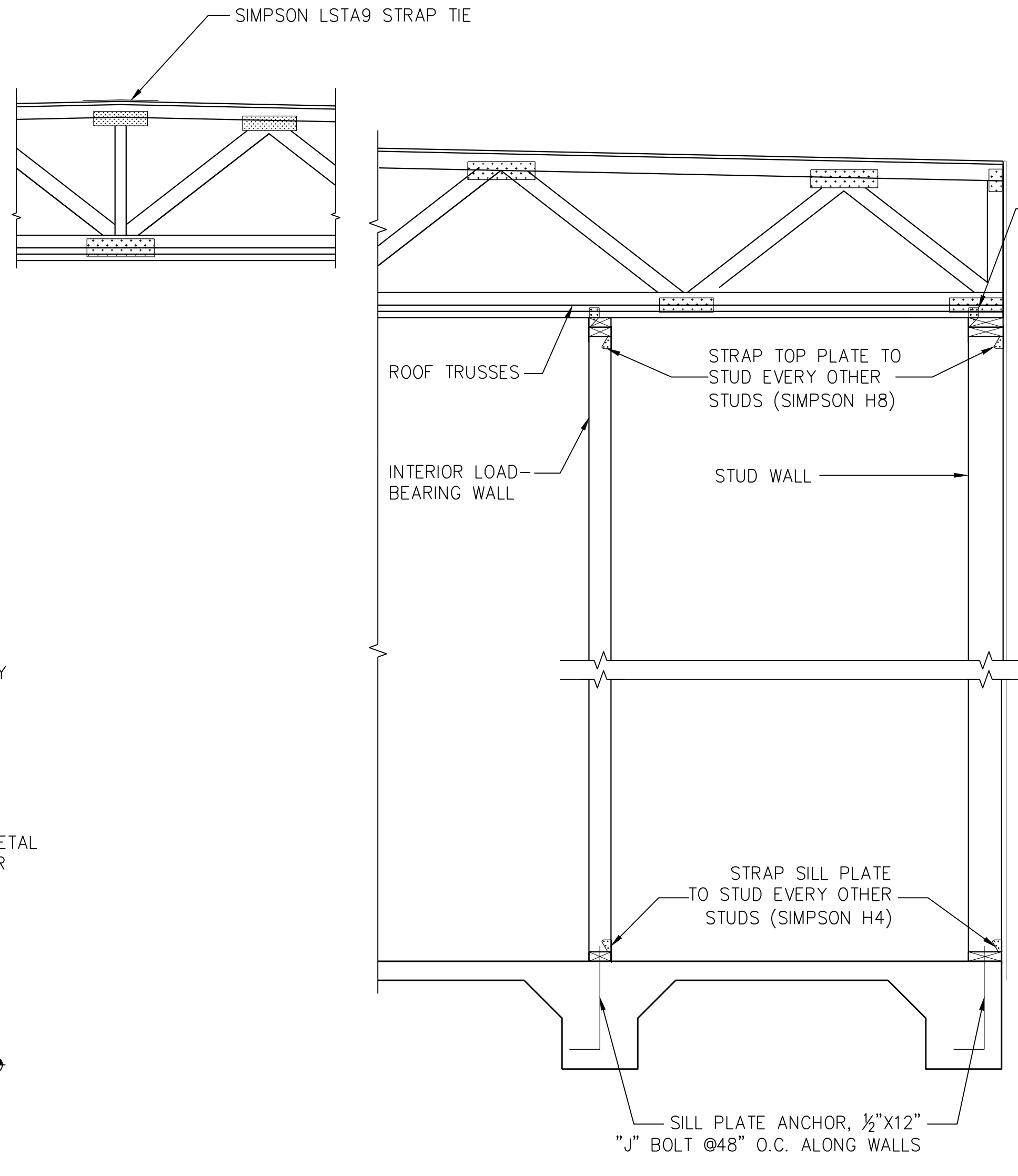
STEEL LOOSE LINTELS		
OPENING	SIZE	DETAIL
0'-0" - 4'-0"	L3 1/2X3 1/2X1/4	L
4'-0" - 5'-0"	L4X3 1/2X1/4	L
5'-0" - 6'-0"	L5X3 1/2X1/4	L
6'-0" - 7'-0"	L6X3 1/2X3/8	L
7'-0" - 9'-0"	C7X9.8 W/L3 1/2X3 1/2X5/16	L
9'-0" - 13'-0"	C10X20 W/L3 1/2X3 1/2X5/16	L

- NOTES:
1. 8" MINIMUM BEARING AT EACH END OF STEEL LINTEL.
2. SEE ARCHITECTURAL DRAWING FOR LOCATION.
3. LEDGE ANGLE WELDS TO CHANNELS TOP & BOTTOM, 3" @12" O.C.

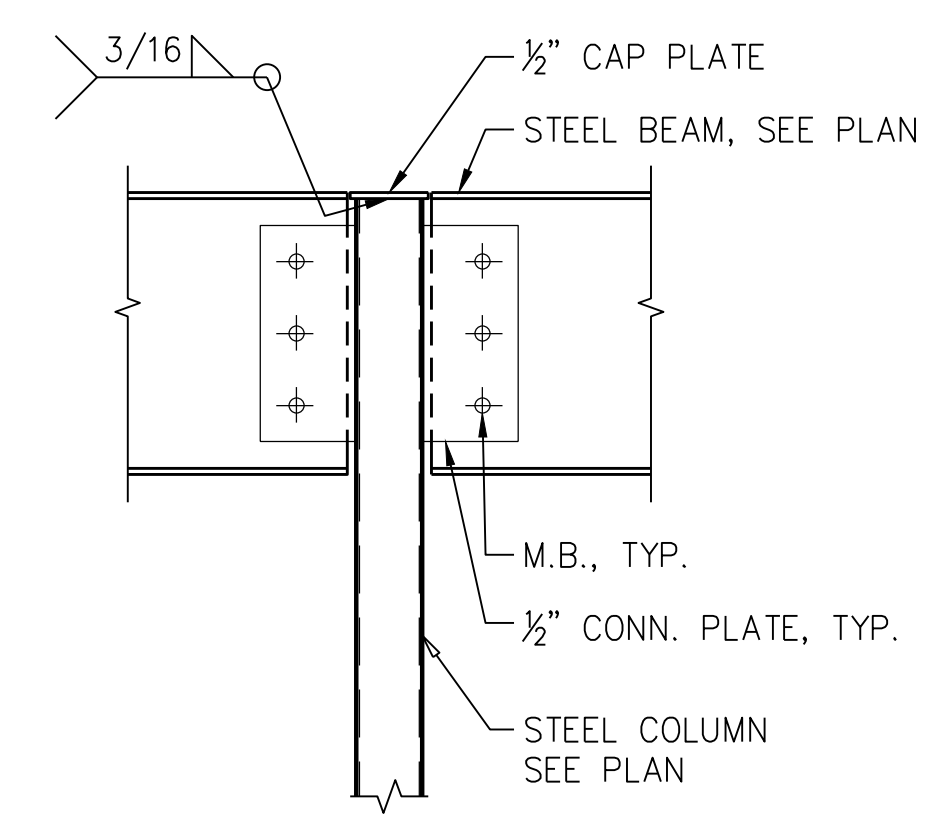
B BRICK VENEER STEEL LOOSE LINTELS
SCALE: NTS



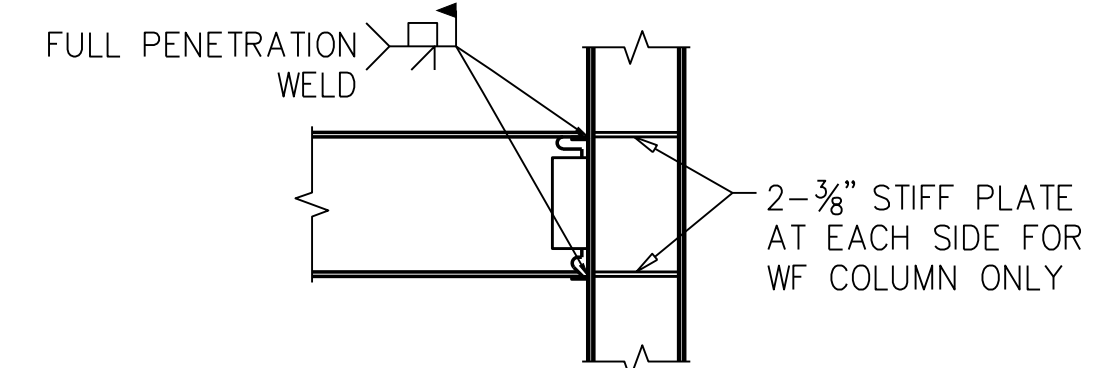
6 TYPICAL FRONT WALL AT CANOPY
SCALE: 3/4" = 1'-0"



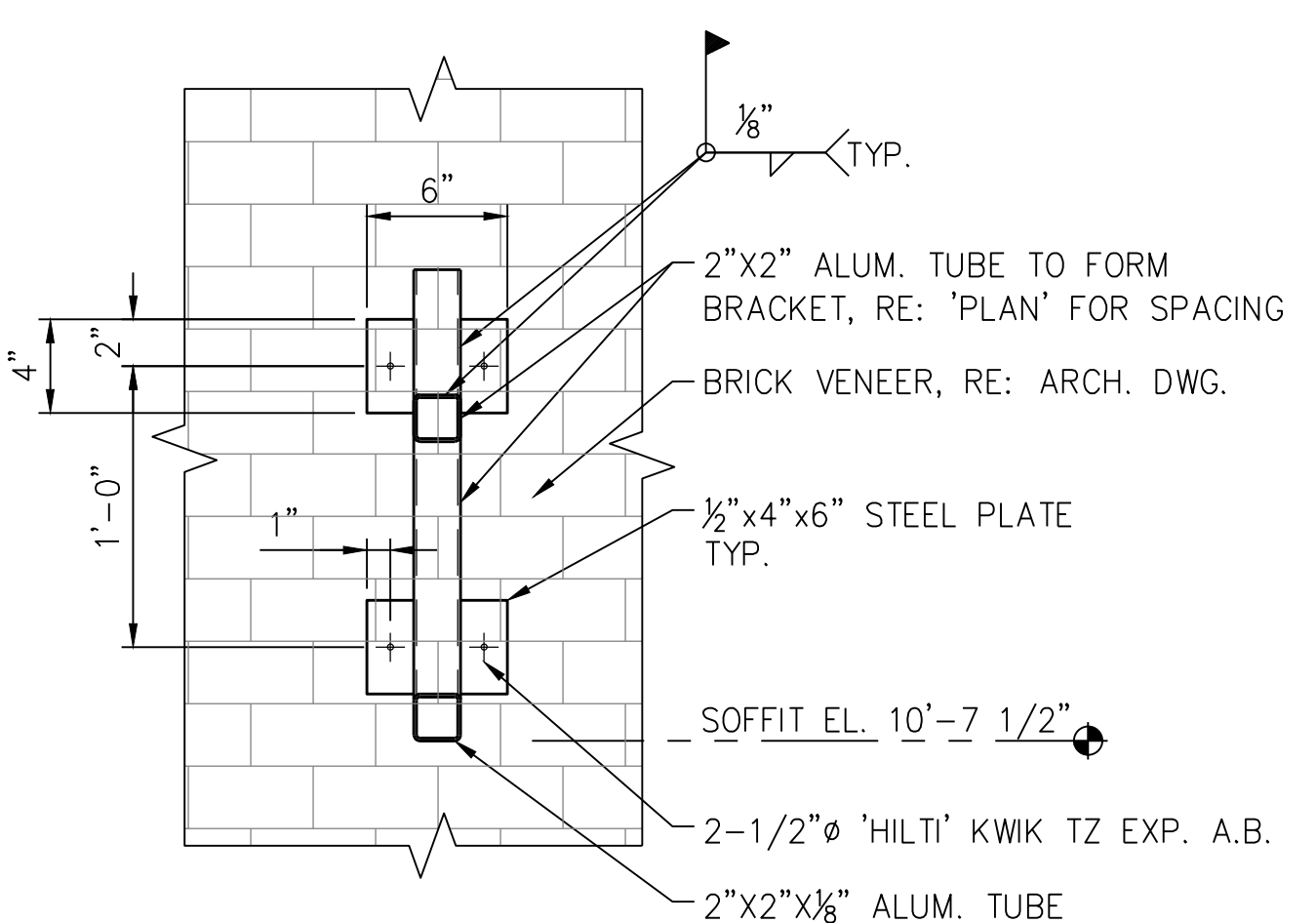
A TYPICAL WIND STRAP DETAIL
SCALE: 3/4" = 1'-0"



C TYPICAL SECTION
SCALE: 3/4" = 1'-0"



D MOMENT CONNECTION DETAIL
SCALE: 3/4" = 1'-0"



6A BRACKET NORMAL VIEW
SCALE: 1 1/2" = 1'-0"