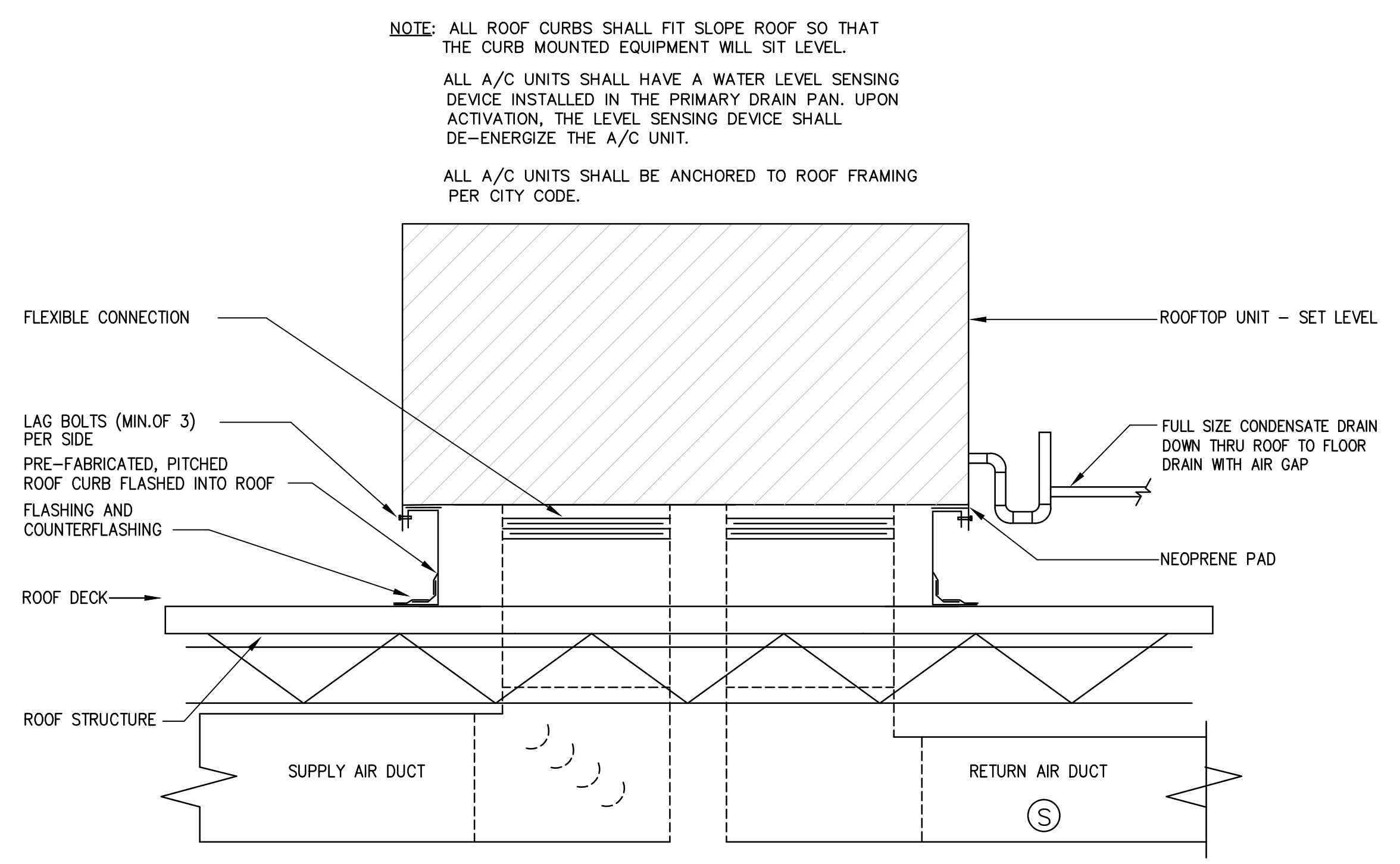
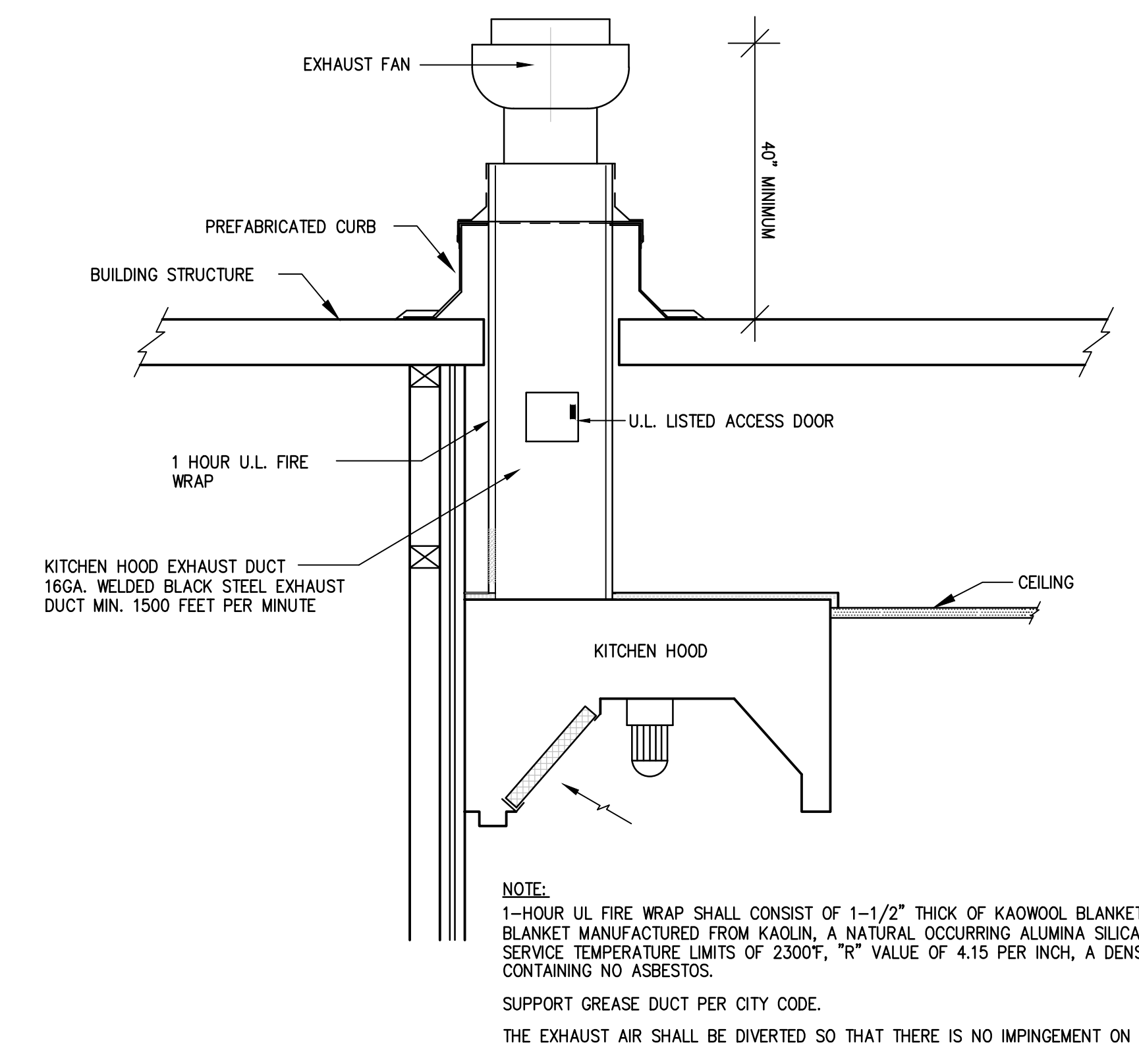


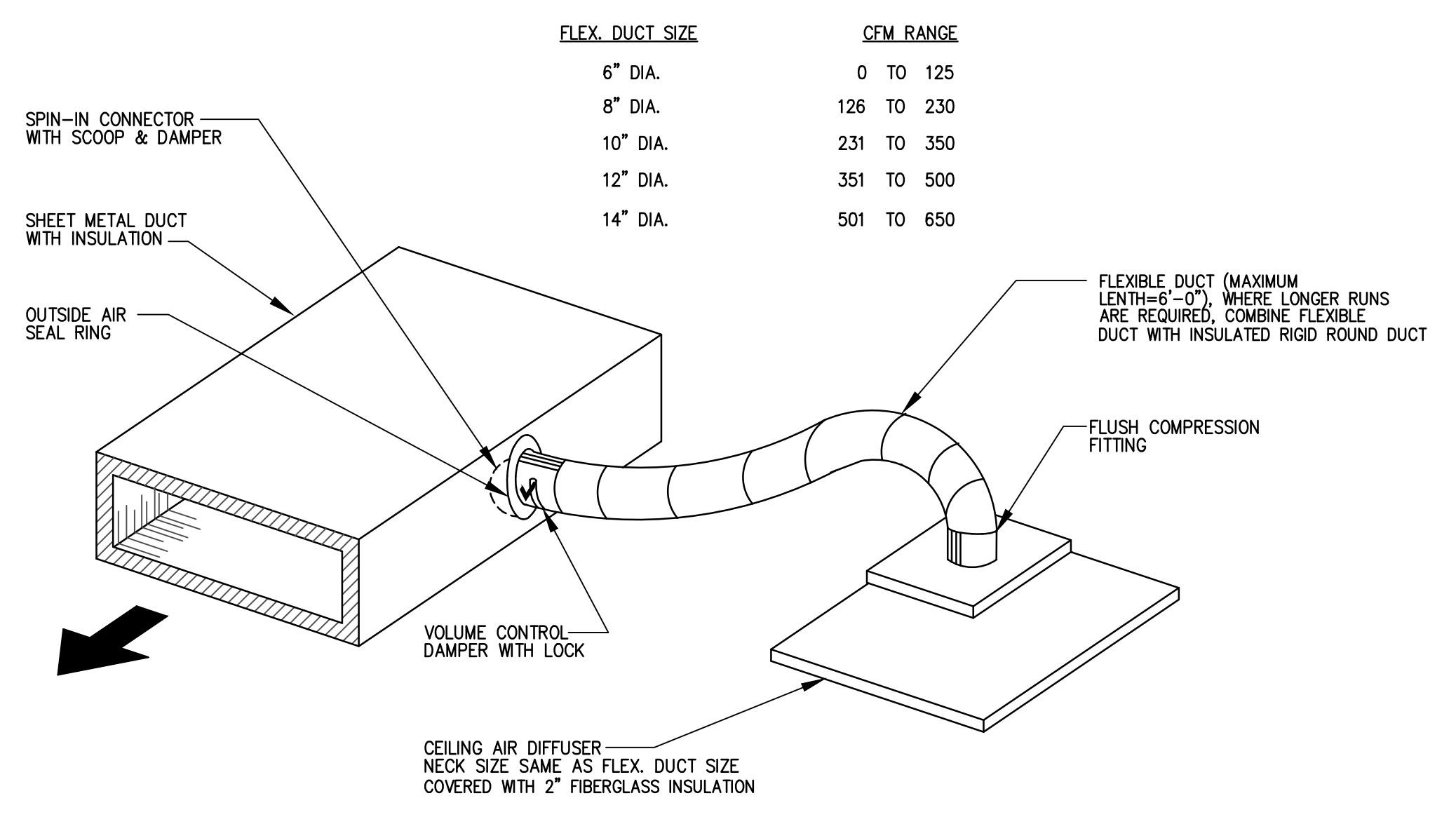
REVISIONS AND ISSUANCE		
NO.	DATE	DESCRIPTION
08/13/2018		PRICING
08/31/2018		ISSUE FOR PERMIT



01 ROOFTOP A/C UNIT DETAIL
SCALE: N.T.S.



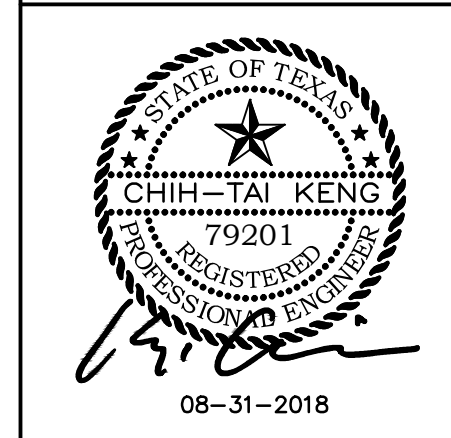
02 KITCHEN HOOD DETAIL
SCALE: N.T.S.



03 FLEX DUCT EXTENSION DETAIL
SCALE: N.T.S.

IVY KIDS EARLY LEARNING CENTER
4434 CR 94
Manvel, Tx 77578

MEP Consultants
BLK Engineering & Consulting Co.
3423 Spring Arbor Ln.
Sugar Land, TX 77479
(1) 832 563 3127
TBPE Firm #12672



DRAWING TITLE	
MECHANICAL DETAILS	
DRAWN BY FK	CHECKED BY CK
DATE 03/30/2017	JOB NO. sedona lakes
DRAWING NO. M-3.0	